



US00D488672S

(12) **United States Design Patent** (10) **Patent No.:** **US D488,672 S**  
**Oas** (45) **Date of Patent:** **\*\* Apr. 20, 2004**

(54) **BEVERAGE CONTAINER WITH MOTION SENSITIVE LED-CONTAINING BASE**  
(76) Inventor: **Daniel R. Oas**, 3630 Cypress Ave., El Monte, CA (US) 91731  
(\*\*) Term: **14 Years**  
(21) Appl. No.: **29/182,124**  
(22) Filed: **May 20, 2003**

D438,298 S	*	2/2001	McNutt	.....	D23/367
6,270,233 B1	*	8/2001	Holland	.....	362/154
D448,241 S	*	9/2001	Morris, Jr.	.....	D7/507
6,283,605 B1	*	9/2001	Kalamaras	.....	362/101
6,322,227 B1	*	11/2001	Liu et al.	.....	362/34
6,371,624 B1	*	4/2002	Dorney	.....	362/34
D458,082 S	*	6/2002	Gluck	.....	D7/510
6,419,384 B1	*	7/2002	Lewis et al.	.....	362/562
6,443,589 B1	*	9/2002	Lee	.....	362/101
D466,371 S	*	12/2002	Parker	.....	D7/510
D475,577 S	*	6/2003	Kung	.....	D7/507
D480,919 S	*	10/2003	Bin	.....	D7/533

(51) **LOC (7) Cl.** ..... **07-01**  
(52) **U.S. Cl.** ..... **D7/507; D7/510; D7/523**  
(58) **Field of Search** ..... **D7/507, 509, 523, D7/532, 510, 511, 533; D23/367; 446/71, 77, 484; 229/125.1; 220/735, 703, 592.16, 592.17; 362/101, 34, 154, 200, 155, 562; 215/387, DIG. 7; 340/321**

\* cited by examiner

*Primary Examiner*—M. N. Pandozzi  
(74) *Attorney, Agent, or Firm*—Edgar W. Averill, Jr.

(57) **CLAIM**

The ornamental design for a beverage container with motion sensitive LED-containing base.

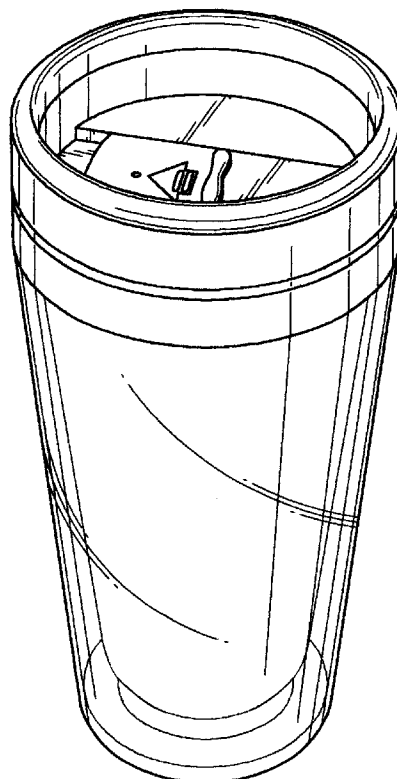
(56) **References Cited**  
**U.S. PATENT DOCUMENTS**

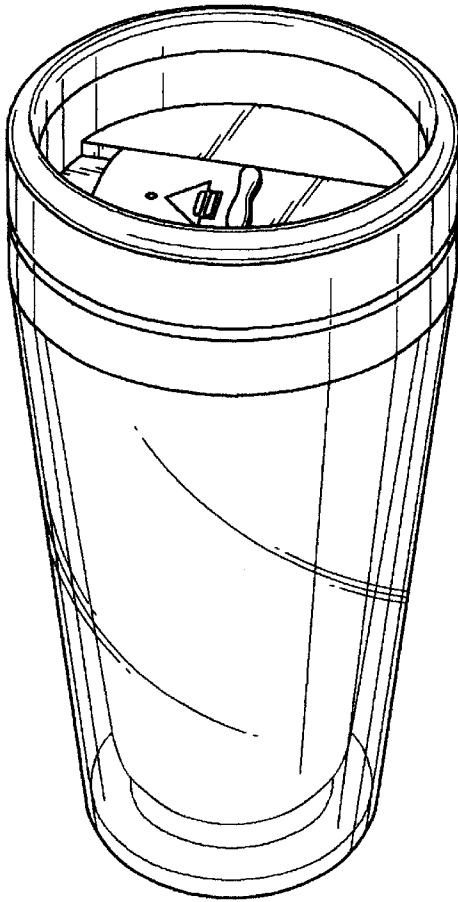
2,276,678 A	*	3/1942	Wheeler	.....	229/125.1
3,428,214 A	*	2/1969	De Leon	.....	220/703
4,034,213 A	*	7/1977	Norris	.....	362/200
4,344,113 A	*	8/1982	Ditto et al.	.....	362/101
5,010,461 A	*	4/1991	Saotome	.....	362/101
D392,842 S	*	3/1998	Parpaiola	.....	D7/509
D417,819 S	*	12/1999	Kelly-Pollet	.....	D7/510
6,082,866 A	*	7/2000	Amedee	.....	362/34
6,163,248 A	*	12/2000	Paek et al.	.....	340/321
6,164,793 A	*	12/2000	Wu	.....	362/101

**DESCRIPTION**

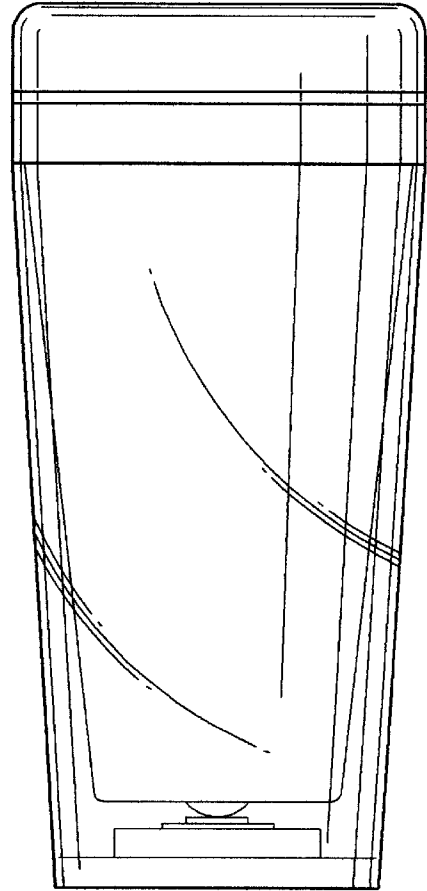
FIG. 1 is a perspective view showing the top and front of the beverage container of the present invention.  
FIG. 2 is a side view thereof.  
FIG. 3 is a top view thereof.  
FIG. 4 is a bottom view thereof; and,  
FIG. 5 is a perspective view indicating the emission of light by radial lines.

**1 Claim, 2 Drawing Sheets**

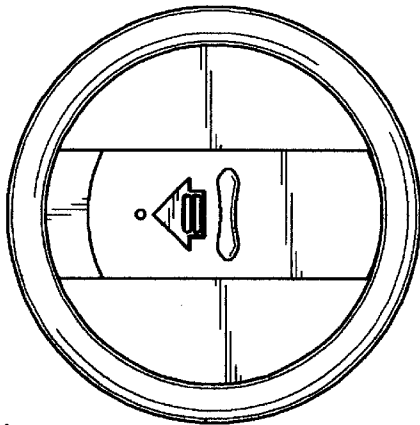




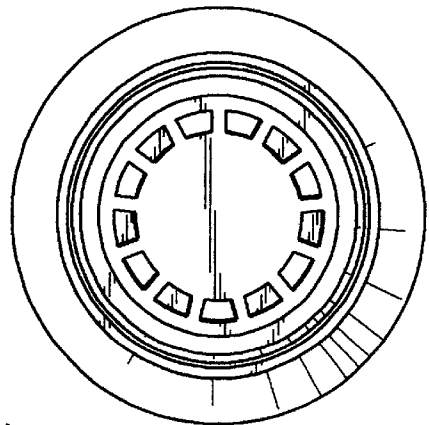
*FIG. 1*



*FIG. 2*



*FIG. 3*



*FIG. 4*

*FIG. 5*

