



US00D382924S

United States Patent [19]

[11] Patent Number: Des. 382,924

Wu

[45] Date of Patent: **Aug. 26, 1997

[54] EXERCISE BIKE

[76] Inventor: **Mu-Chuan Wu**, No. 462-7, Chung Shan Road, Hsi Kang Hsiang, Tainan Hsien, Taiwan

[**] Term: 14 Years

[21] Appl. No.: 53,830

[22] Filed: Apr. 30, 1996

[51] LOC (6) Cl. 21-02

[52] U.S. Cl. D21/194

[58] Field of Search D21/191, 192, D21/194, 195; 482/51, 57, 58, 59, 62, 64

[56] **References Cited**

U.S. PATENT DOCUMENTS

| | | | |
|------------|---------|----------------|---------|
| D. 281,520 | 11/1985 | Kiiski | D21/194 |
| D. 281,711 | 12/1985 | Hivola | D21/194 |
| D. 285,816 | 9/1986 | Bertsson | D21/194 |
| D. 291,713 | 9/1987 | Kiiski | D21/194 |
| D. 293,598 | 1/1988 | Kiiski | D21/194 |

| | | | |
|------------|--------|------------------|---------|
| D. 299,504 | 1/1989 | Hong et al. | D21/194 |
| D. 299,732 | 2/1989 | Gustafsson | D21/194 |
| D. 301,160 | 5/1989 | Hung | D21/194 |
| D. 307,166 | 4/1990 | Wu | D21/194 |
| D. 323,368 | 1/1992 | Whitesel | D21/194 |
| D. 372,284 | 7/1996 | Wang et al. | D21/194 |

Primary Examiner—Philip S. Hyder
Attorney, Agent, or Firm—Pro-Techt International

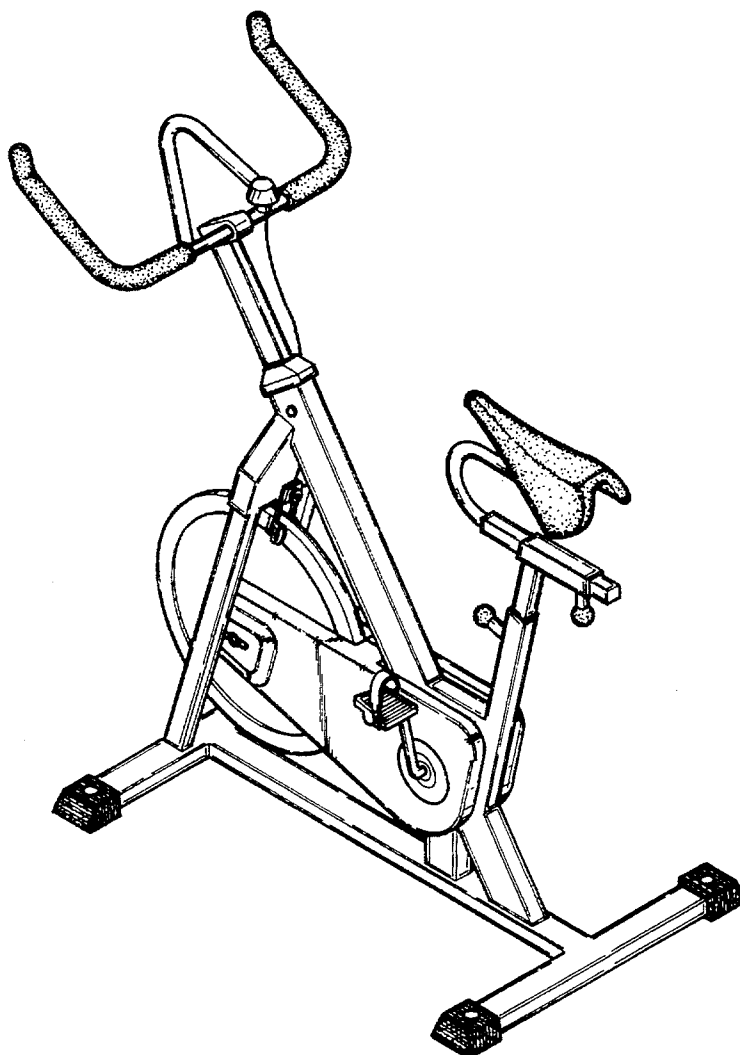
[57] **CLAIM**

The ornamental design for an exercise bike, as shown.

DESCRIPTION

FIG. 1 is a perspective view of an exercise bike showing my new design;
FIG. 2 is a front elevational view thereof;
FIG. 3 is a rear elevational view thereof;
FIG. 4 is a left elevational view thereof;
FIG. 5 is a right elevational view thereof;
FIG. 6 is a top plan view thereof; and
FIG. 7 is a bottom plan view.

1 Claim, 5 Drawing Sheets



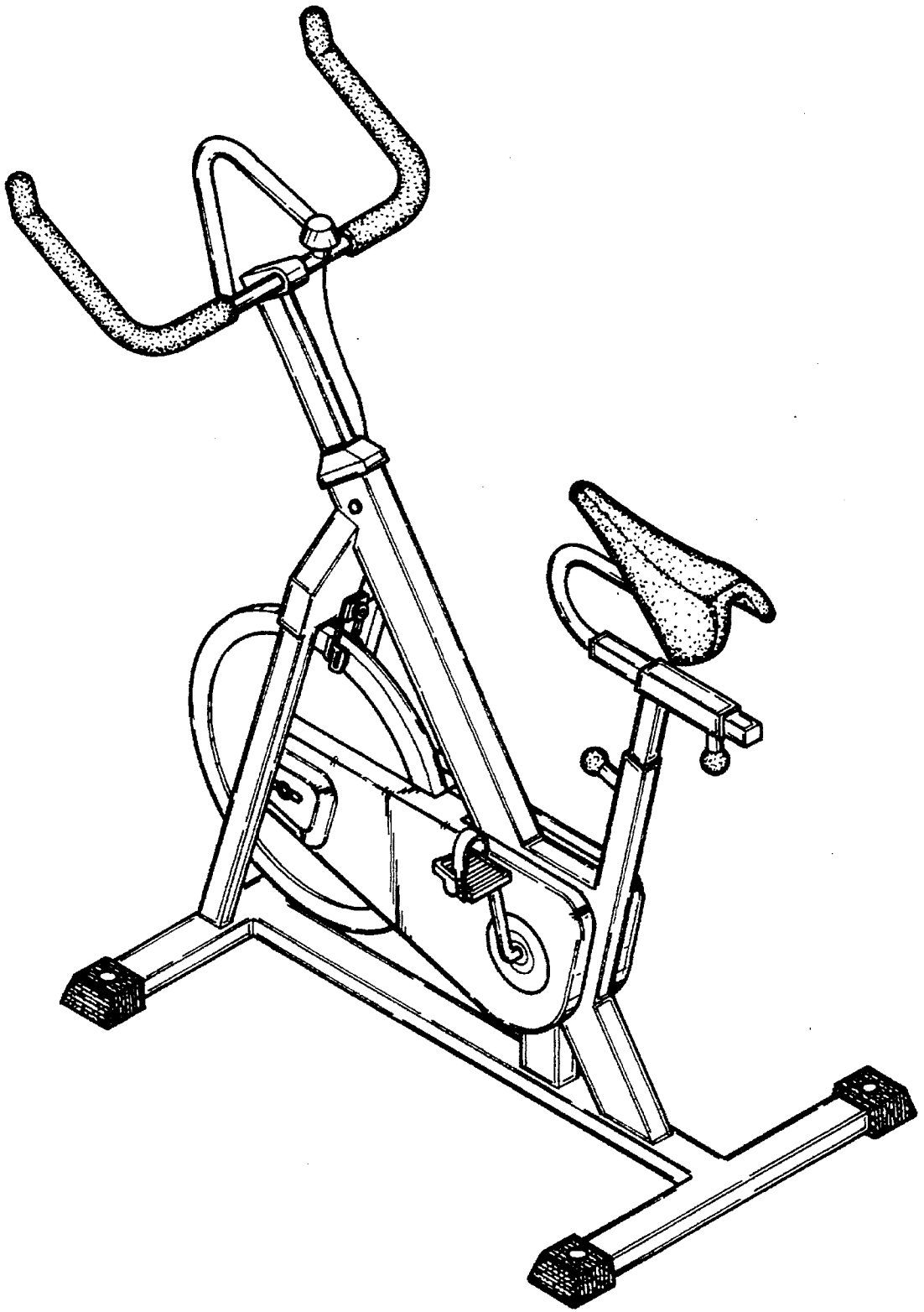


FIG. 1

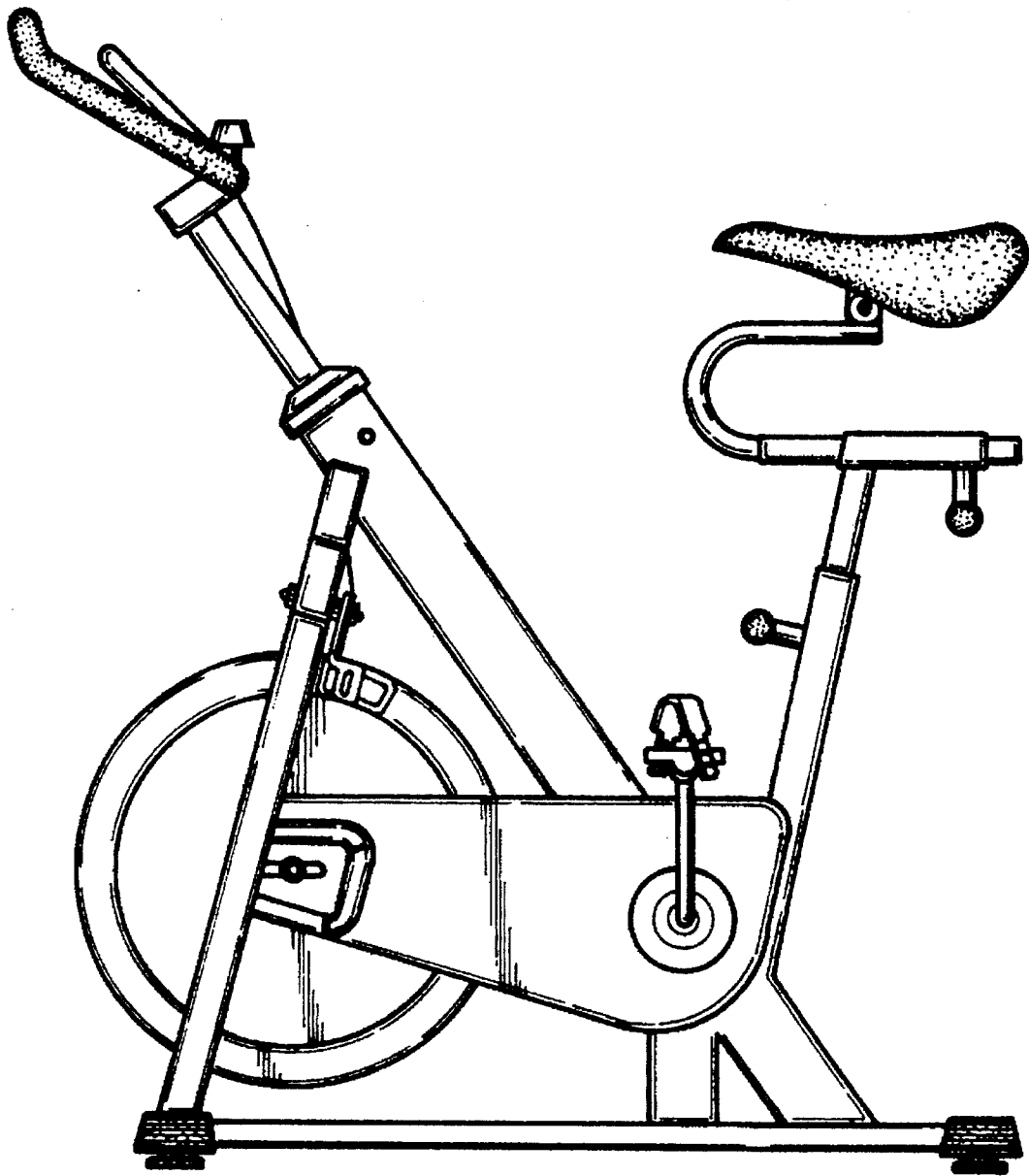


FIG. 2

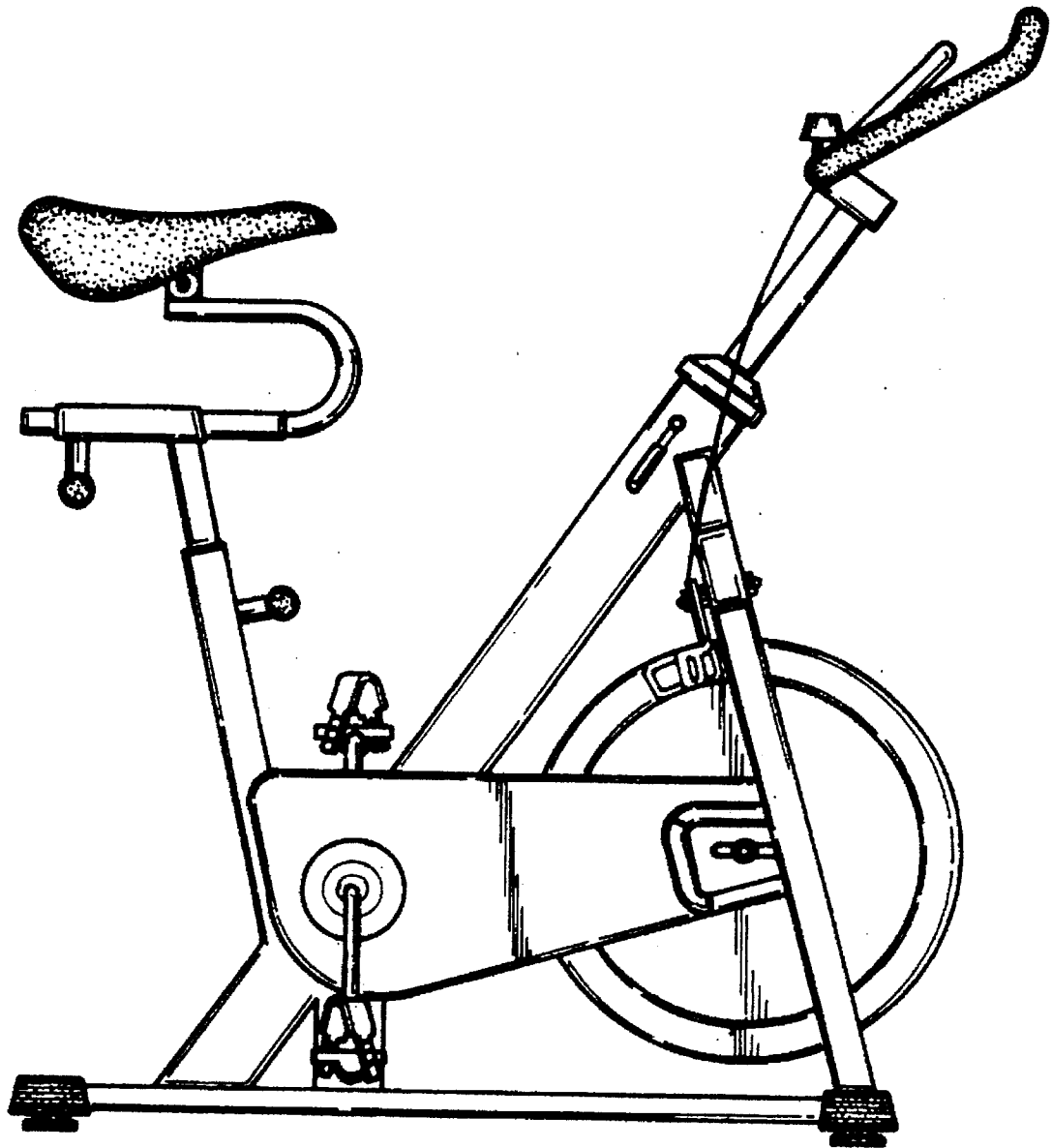


FIG. 3

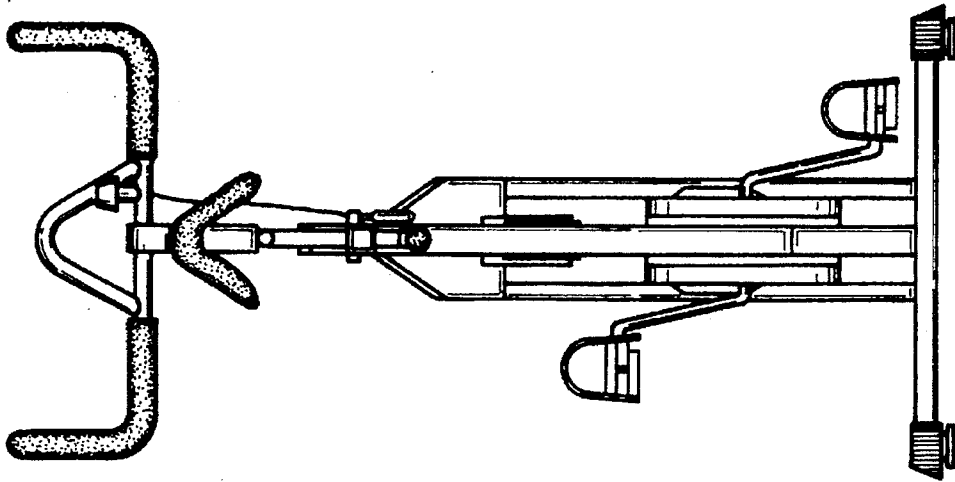


FIG. 5

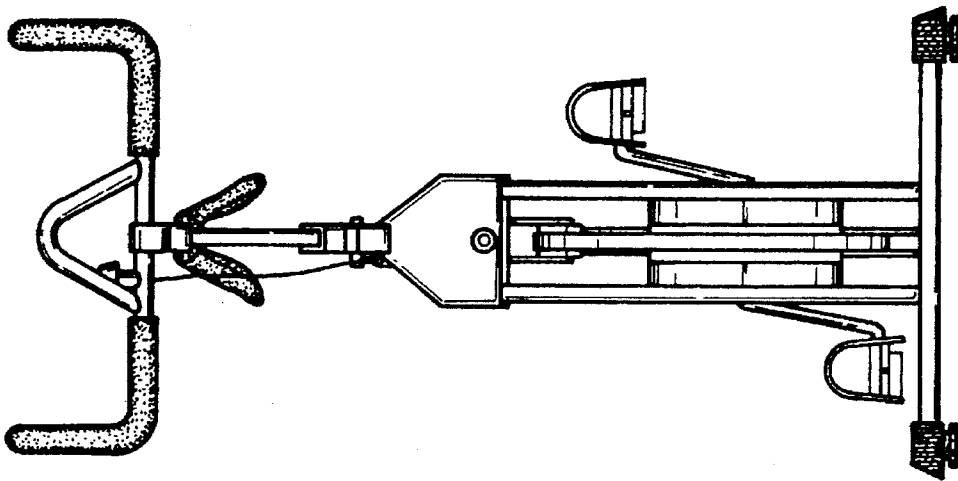


FIG. 4

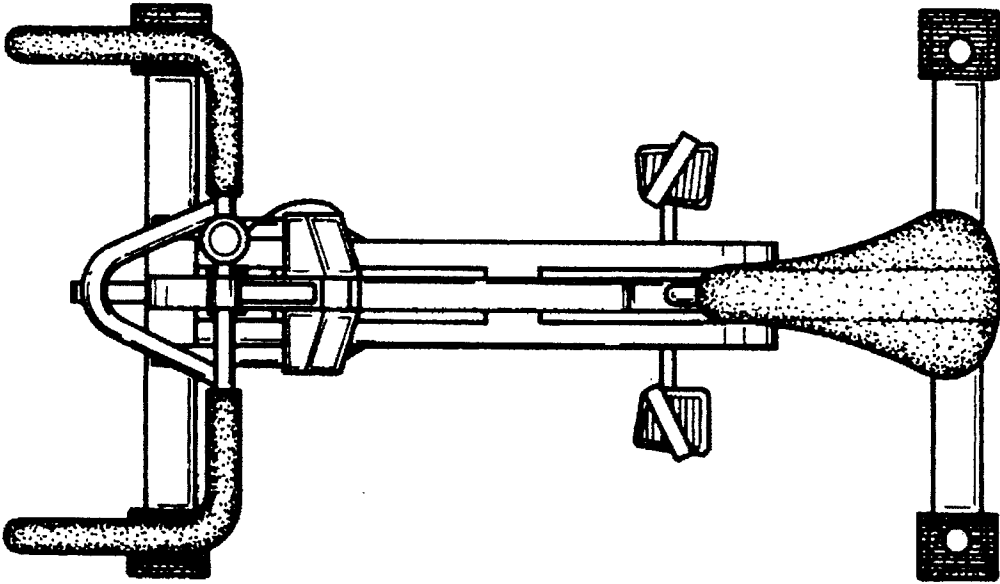


FIG. 6

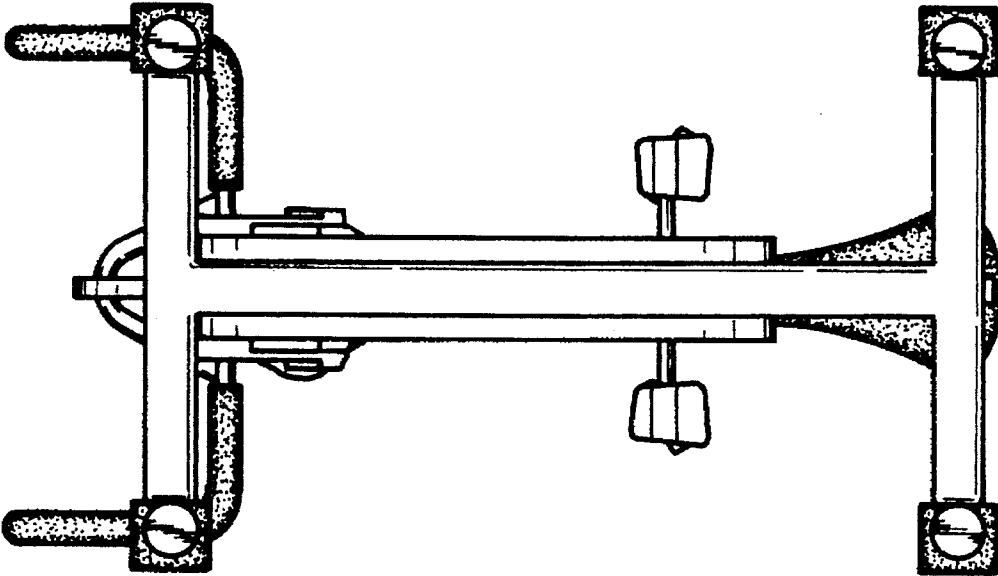


FIG. 7