



US00D975759S

(12) **United States Design Patent**
Mortimer et al.

(10) **Patent No.:** **US D975,759 S**
(45) **Date of Patent:** **** Jan. 17, 2023**

- (54) **EXTRUDER FOR A 3D PRINTER**
- (71) Applicant: **E3D-Online Limited**, London (GB)
- (72) Inventors: **Sanjay Mortimer**, London (GB);
Joshua Rowley, London (GB)
- (73) Assignee: **E3D-ONLINE LIMITED**, London (GB)
- (**) Term: **15 Years**

2021/0197478	A1*	7/2021	Erickson	B29C 64/232
2021/0206067	A1*	7/2021	Lee	B29C 64/232
2021/0291443	A1*	9/2021	Bai	B29C 64/106
2021/0291452	A1*	9/2021	Korevaar	B29C 64/241

FOREIGN PATENT DOCUMENTS

CN 306130062 * 10/2020

OTHER PUBLICATIONS

3D-Online Limited-Hemera Extruder, Website YouTube, p. 1, Published date Nov. 29, 2019, Retrieved from internet Feb. 18, 2022—U.S. Appl. No. 29/732,487—https://www.youtube.com/watch?v=yV4bd_d5FAI (Year: 2019).*

* cited by examiner

Primary Examiner — Jennifer L Rempfer
Assistant Examiner — Danielle Nichole Bowly
(74) *Attorney, Agent, or Firm* — Stout, Uxa & Buyan, LLP; Donald E. Stout

- (21) Appl. No.: **29/732,487**
- (22) Filed: **Apr. 24, 2020**
- (51) **LOC (14) Cl.** **15-09**
- (52) **U.S. Cl.**
USPC **D15/135**; D15/122
- (58) **Field of Classification Search**
USPC D14/300, 301, 302, 303, 307, 308, 314,
D14/321, 365, 445, 446; D18/4.1, 4.4,
D18/4.6, 34.1, 6, 7, 14, 19, 34.3, 34.7,
D18/34.8, 34.9, 36, 37, 38, 39, 46, 47,
D18/48, 49, 50, 53, 54, 55, 56; D15/122,
D15/135, 138
CPC H04N 1/00278; B26D 1/045; B26D 1/065;
B41J 15/044; B41J 2/1752; B41J 29/02;
G06F 3/02
See application file for complete search history.

(57) **CLAIM**

The ornamental design for an extruder for a 3D printer, substantially as shown and described.

DESCRIPTION

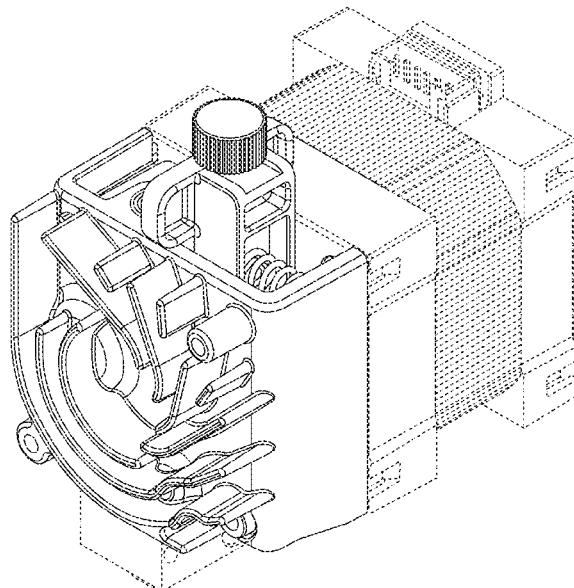
FIG. 1 is a front, top, right side perspective view of an extruder for a 3D printer according to the new design; FIG. 2 is a right side elevational view thereof; FIG. 3 is a left side elevational view thereof; FIG. 4 is a front elevational view thereof; and, FIG. 5 is a top plan view thereof. The broken lines in the drawings illustrate portions of the extruder for a 3D printer and form no part of the claimed design.

1 Claim, 5 Drawing Sheets

(56) **References Cited**

U.S. PATENT DOCUMENTS

2014/0242208	A1*	8/2014	Elsworthy	B29C 64/112 425/375
2018/0250737	A1*	9/2018	Moosman	B28B 1/001
2018/0290365	A1*	10/2018	Noorazar	B29C 64/25
2019/0184639	A1*	6/2019	Lopez Romano	B29C 64/25
2020/0262144	A1*	8/2020	Temirbulatov	B29C 64/209
2020/0338822	A1*	10/2020	Davenport	B33Y 10/00
2021/0129444	A1*	5/2021	Lorusso	B29C 64/25



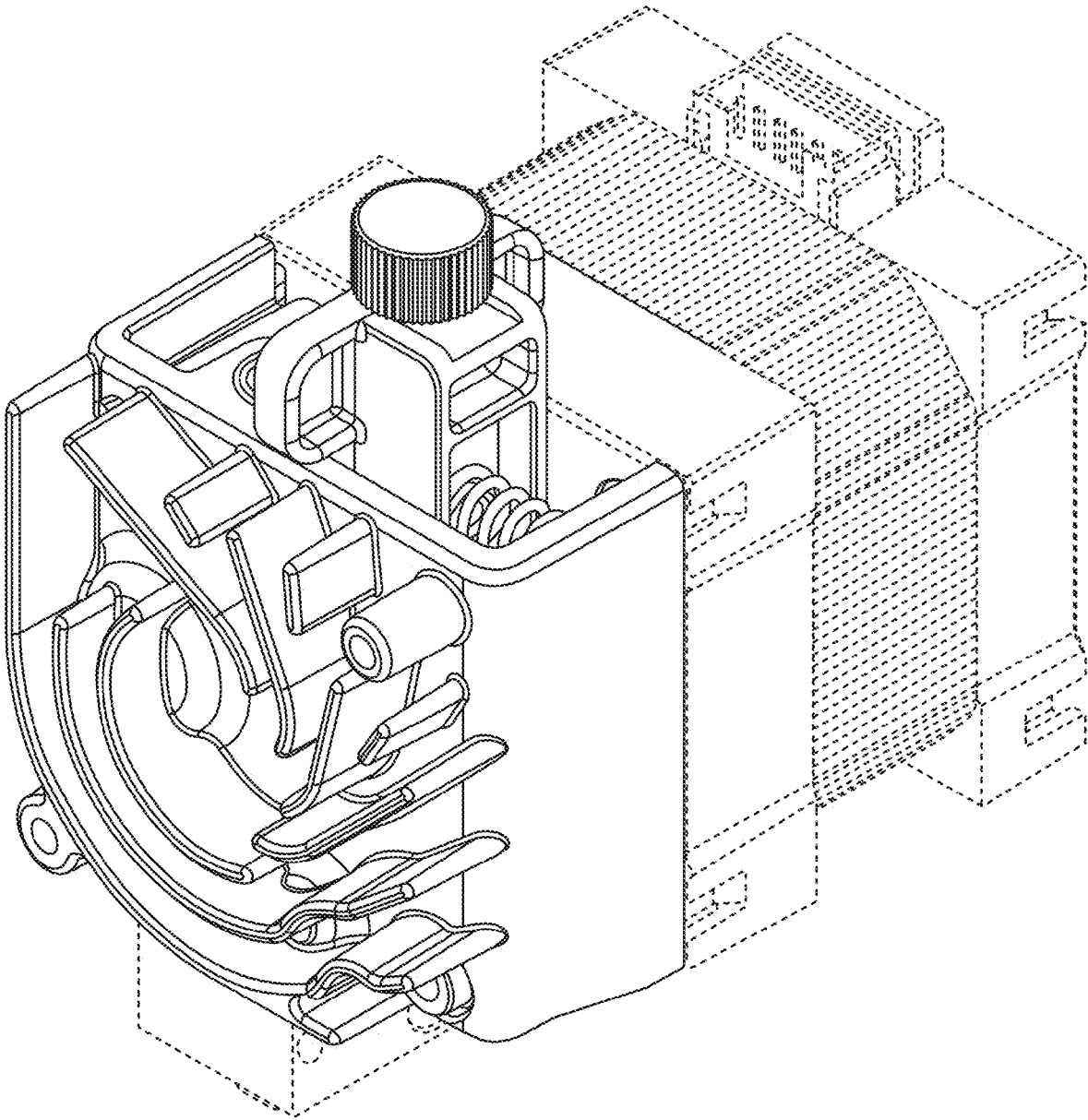


FIG. 1

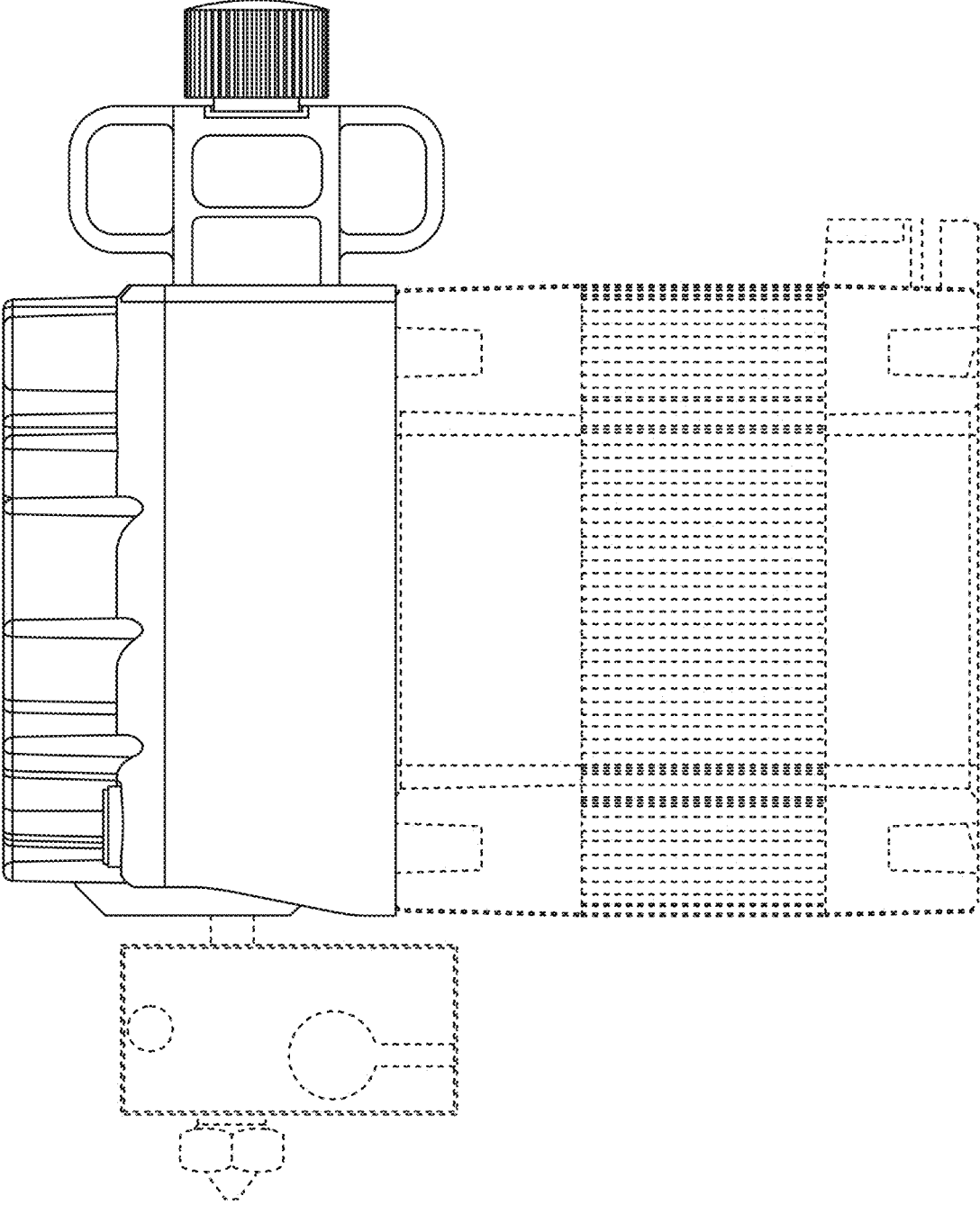


FIG. 2

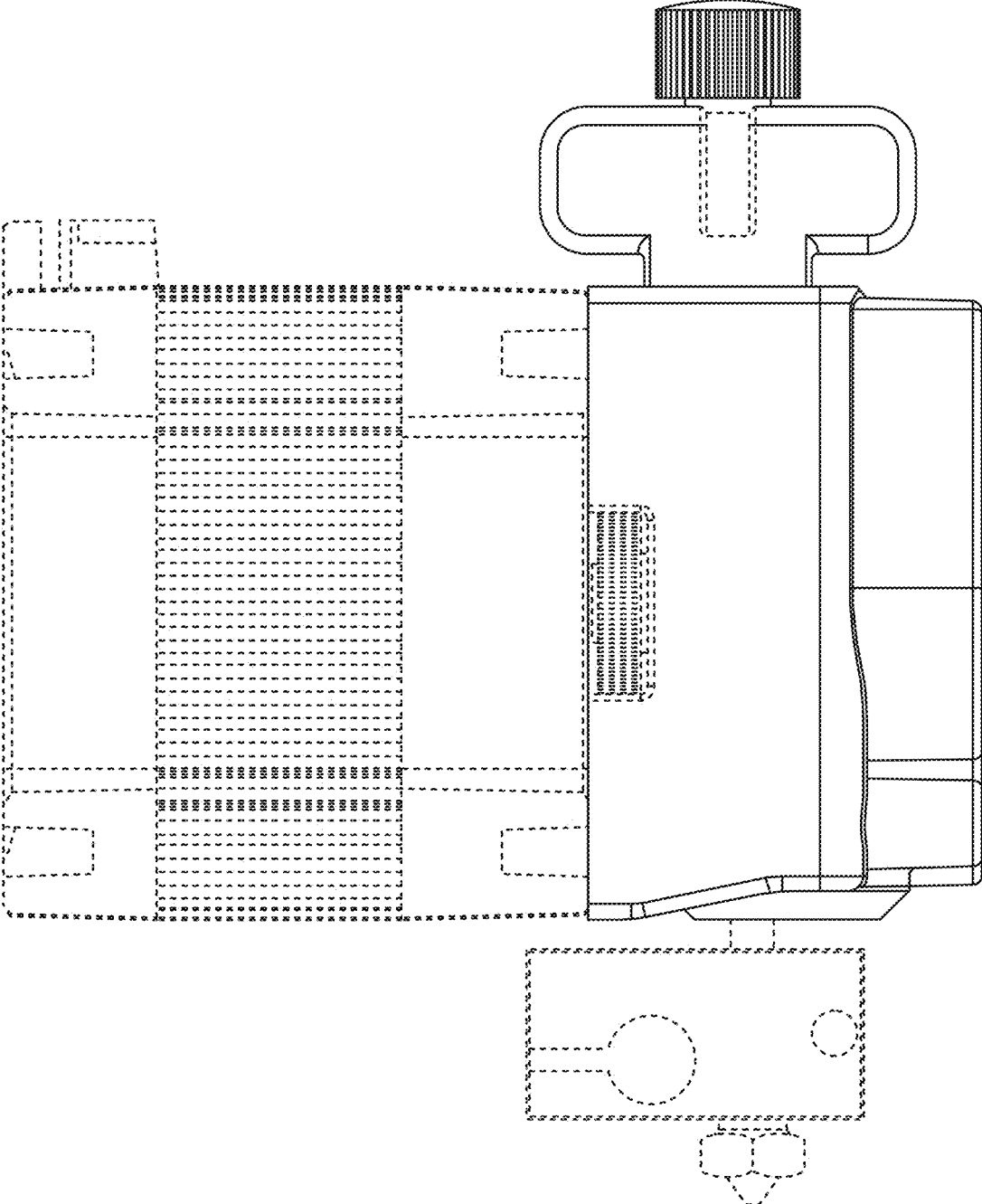


FIG. 3

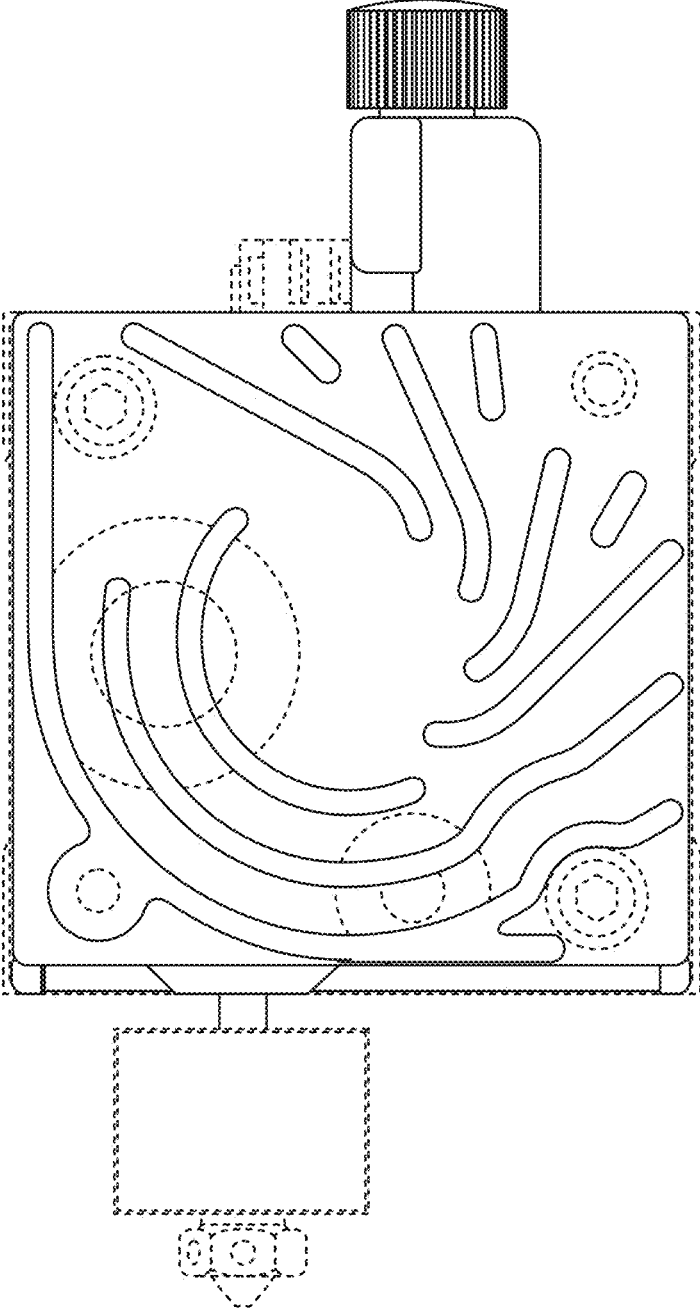


FIG. 4

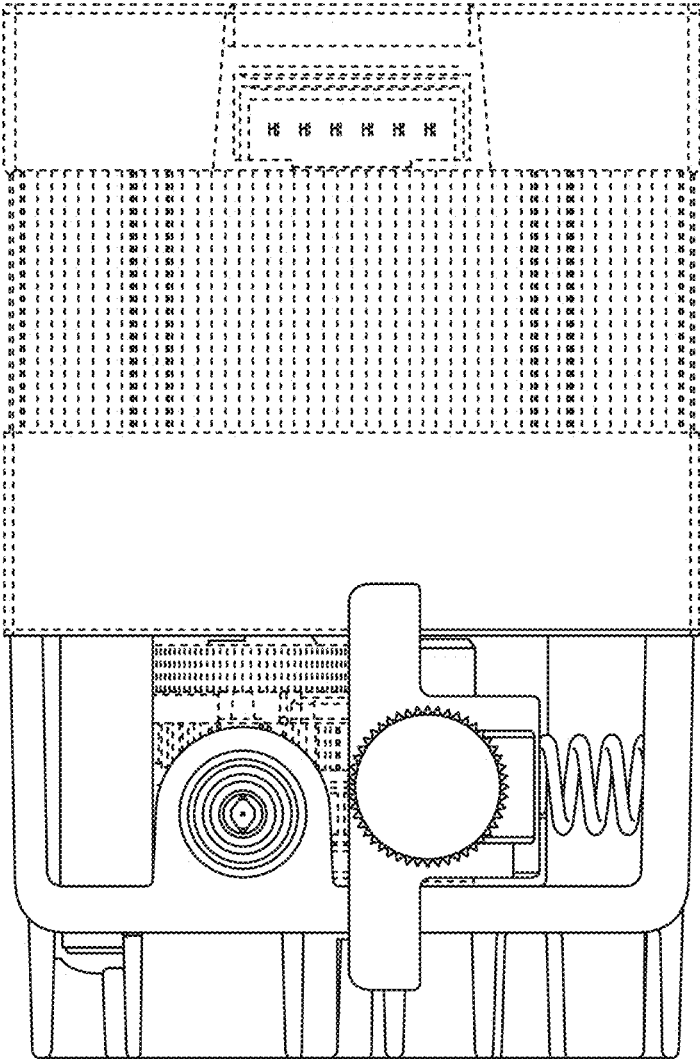


FIG. 5