



US0D1008069S

(12) **United States Design Patent**  
**Pierce**

(10) **Patent No.:** **US D1,008,069 S**

(45) **Date of Patent:** **\*\* Dec. 19, 2023**

- (54) **STACKABLE JEWELRY RING**
- (71) Applicant: **Rachel Kay Pierce**, Oak Grove, MN (US)
- (72) Inventor: **Rachel Kay Pierce**, Oak Grove, MN (US)
- (\*\*) Term: **15 Years**
- (21) Appl. No.: **29/838,975**

D655,638 S *	3/2012	Thevenaz .....	D11/26
D830,875 S *	10/2018	Turpin .....	D11/4
D900,660 S *	11/2020	Castellanos .....	D11/4
D934,103 S *	10/2021	Yamada .....	D11/26
2021/0315333 A1 *	10/2021	Wong .....	A44C 9/02

- (22) Filed: **May 17, 2022**
- (51) **LOC (14) Cl.** ..... **11-01**
- (52) **U.S. Cl.** ..... **D11/39**
- USPC ..... **D11/39**
- (58) **Field of Classification Search**
- USPC ..... D11/3, 4, 5, 26-39, 91, 92
- CPC ..... A44C 5/00; A44C 9/00; A44C 9/0007; A44C 9/001; A44C 9/0023; A44C 9/003; A44C 9/0038; A44C 9/0046; A44C 9/0053; A44C 9/0061; A44C 9/0069; A44C 9/0076; A44C 9/0092; A44C 17/0258; A44C 17/0266; A44C 17/0275; A44C 17/0283; A44C 17/02; A44C 17/0208; A44C 17/0216; A44C 17/0225; A44C 17/0233; A44C 17/0241; A44C 17/025; A44C 17/0291

See application file for complete search history.

(56) **References Cited**

**U.S. PATENT DOCUMENTS**

D153,203 S *	3/1949	Bergman .....	D11/30
D154,061 S *	6/1949	Patty .....	D11/30
D285,292 S *	8/1986	Bulgari .....	D11/37

**OTHER PUBLICATIONS**

[Online] <https://www.facebook.com/heritagedesignsjewelry/photos/pb.100083157649037.-2207520000/103442535650635/?type=3>. Posted online Mar. 20, 2022. Retrieved Oct. 1, 2023. (Year: 2022).\*

\* cited by examiner

*Primary Examiner* — Melanie Pellegrini  
(74) *Attorney, Agent, or Firm* — Johnson and Phung; Thomas Phung

(57) **CLAIM**

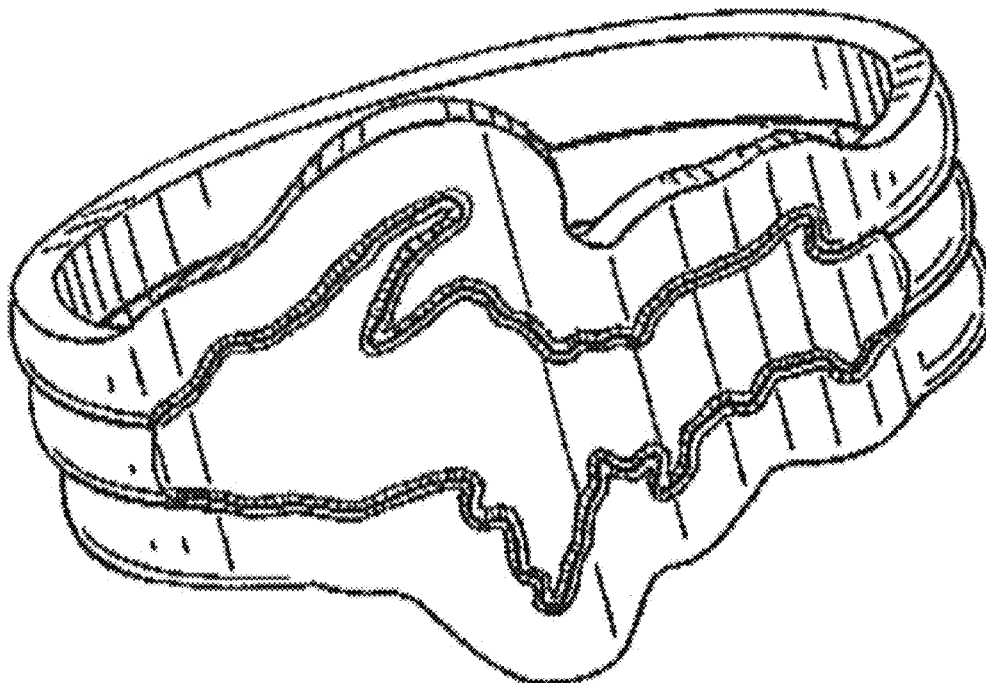
I claim the ornamental design for a stackable jewelry ring, as shown and described.

**DESCRIPTION**

FIG. 1 is a perspective view of a stackable jewelry ring, showing my design;  
FIG. 2 is a front elevation view;  
FIG. 3 is a left side elevation view;  
FIG. 4 is a rear elevation view;  
FIG. 5 is right side elevation view;  
FIG. 6 is a top view; and,  
FIG. 7 is a bottom view.

The broken line portion of the figure drawings is included to show portions of the article that form no part of the claimed design.

**1 Claim, 2 Drawing Sheets**



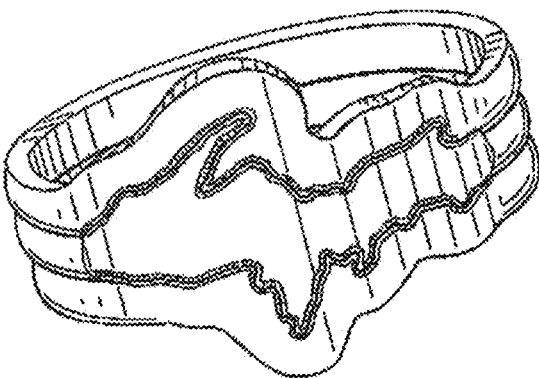


FIG. 1

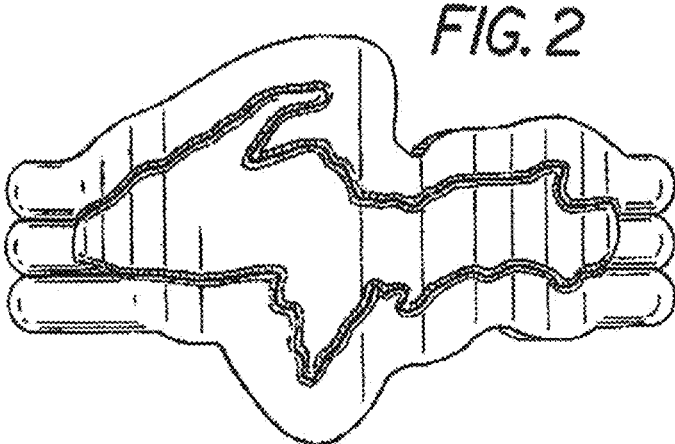


FIG. 2

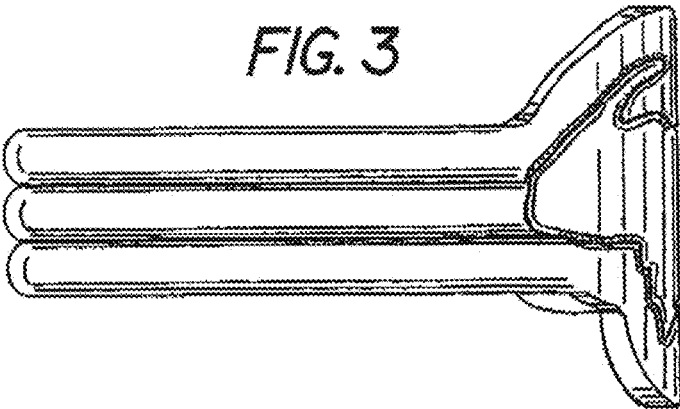


FIG. 3

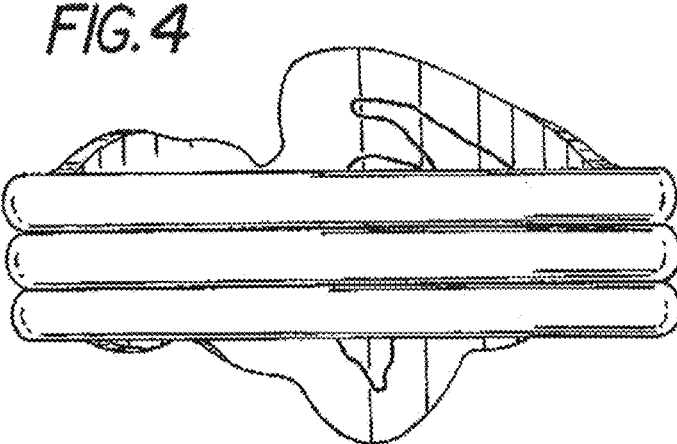


FIG. 4

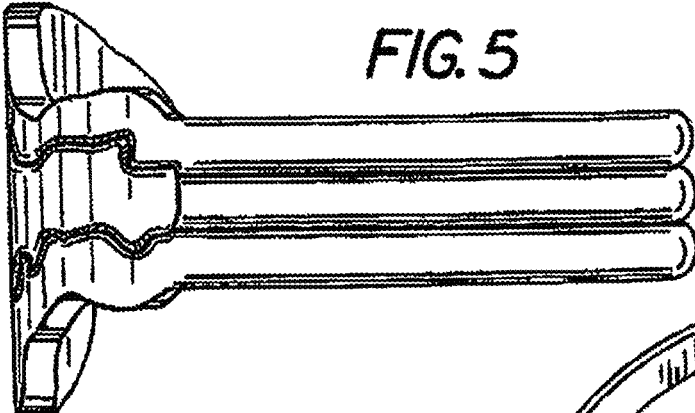


FIG. 5

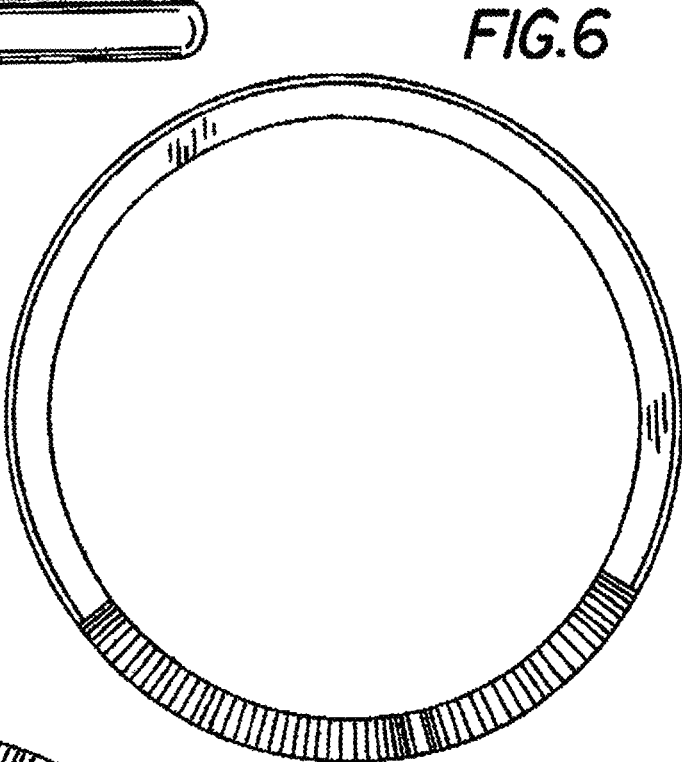


FIG. 6

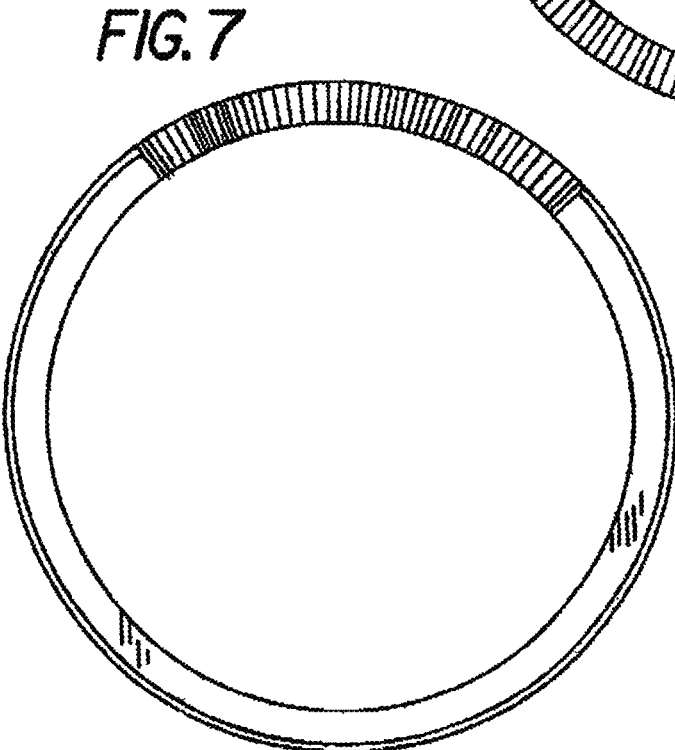


FIG. 7