

(12) **United States Design Patent** (10) **Patent No.:** **US D808,652 S**
Cavazos, III (45) **Date of Patent:** **** Jan. 30, 2018**

(54) **DRYWALL KNIFE CASE**

(71) Applicant: **Conrado G. Cavazos, III**, San Antonio, TX (US)

(72) Inventor: **Conrado G. Cavazos, III**, San Antonio, TX (US)

(**) Term: **15 Years**

(21) Appl. No.: **29/559,444**

(22) Filed: **Mar. 28, 2016**

(51) **LOC (11) Cl.** **03-01**

(52) **U.S. Cl.** **D3/269; D3/905**
 USPC

(58) **Field of Classification Search**
 USPC D3/272-273, 276, 281-282, 284, 292,
 D3/294, 269, 905, 201; D8/71; D6/407,
 D6/626, 632

(Continued)

(56) **References Cited**

U.S. PATENT DOCUMENTS

4,303,188 A 12/1981 Calabrese
 5,398,809 A 3/1995 Henke et al.

(Continued)

OTHER PUBLICATIONS

Core Gear, Wet Brush Storage, Jul. 26, 2016 via Internet Archive Wayback Machine, available at <https://web.archive.org/web/20130726103947/http://core-gear.com/paint-it/cg-paint-accessories/wet-brush.html>.

Primary Examiner — Catherine R Oliver-Garcia

(74) *Attorney, Agent, or Firm* — Volk & McElroy, LLP; Michael D. Volk, Jr.

(57) **CLAIM**

The ornamental design for a drywall knife case, as shown and described.

DESCRIPTION

FIG. 1 is a rear perspective view of a first embodiment of my drywall knife case design;

FIG. 2 is a front perspective view thereof;
 FIG. 3 is an enlarged view of a corner portion of my design of FIG. 1;

FIG. 4 is a top view of my design of FIG. 1, the bottom view being the same as the top view;

FIG. 5 is a front view of my design of FIG. 1;

FIG. 6 is a rear view of my design of FIG. 1;

FIG. 7 is a right side view of my design of FIG. 1, the left side view being a mirror image of the right side view;

FIG. 8 is a front perspective view of my design of FIG. 1, shown in an open configuration;

FIG. 9 is a rear perspective view of my design of FIG. 8;

FIG. 10 is an enlarged view of a corner portion of my design of FIG. 8;

FIG. 11 is a top view of my design of FIG. 8;

FIG. 12 is a bottom view of my design of FIG. 8;

FIG. 13 is a left side view of my design of FIG. 8, the right side view being a mirror image of the left side view;

FIG. 14 is a front view of my design of FIG. 8;

FIG. 15 is a rear view of my new design of FIG. 8;

FIG. 16 is a rear perspective view of a second embodiment of my drywall knife case design;

FIG. 17 is a front perspective view of my design of FIG. 16;

FIG. 18 is an enlarged view of a corner portion of my design of FIG. 16;

FIG. 19 is a top view of my design of FIG. 16, the bottom view is the same as the top view;

FIG. 20 is a front view of my design of FIG. 16;

FIG. 21 is a rear view of my design of FIG. 16;

FIG. 22 is a right side view of my design of FIG. 16, the left side view is the mirror image of the right side view;

FIG. 23 is a perspective view of the drywall knife case of FIG. 16, shown in an open configuration;

FIG. 24 is an enlarged view of a corner portion of my design of FIG. 23;

FIG. 25 is a top view of my design of FIG. 23;

FIG. 26 is a bottom view of my design of FIG. 23;

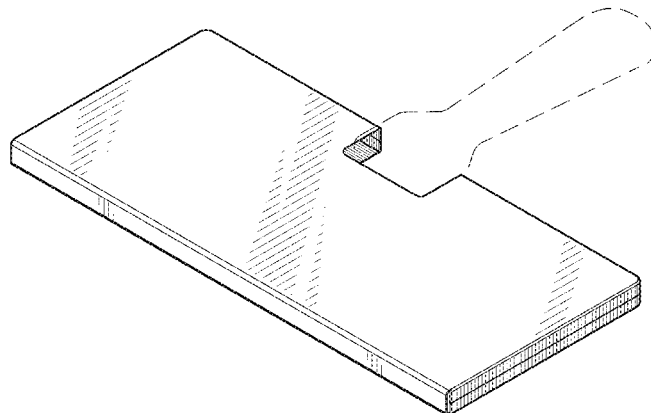
FIG. 27 is a left side view of my design of FIG. 23, the right side view is the mirror image of the left side view;

FIG. 28 is a front view of my design of FIG. 23; and,

FIG. 29 is a rear view of my design of FIG. 23.

The claimed drywall knife case is used to protect and cover a drywall knife, which is also referred to as a putty knife, a taping knife, or a joint knife.

(Continued)



The broken lines in the drawings depict features that form no part of the claimed design.

In the embodiment of FIGS. 16 to 29, the separation indicates that the precise length of the drywall knife case is not claimed.

1 Claim, 21 Drawing Sheets

(58) Field of Classification Search

CPC . A45C 11/00; B25H 3/02-3/028; B25H 3/00;
B25H 3/003; B25H 3/06; B65D 25/04
See application file for complete search history.

(56) References Cited

U.S. PATENT DOCUMENTS

D413,753	S	*	9/1999	Allsop	D3/201
D473,714	S	*	4/2003	Cousin	D3/282
D477,143	S	*	7/2003	Nagata	D3/294
D516,725	S	*	3/2006	Barnes	D3/201
7,290,656	B1		11/2007	Crawford		
D710,098	S	*	8/2014	Horowitz	D3/276
8,857,630	B2		10/2014	Zirkle		
D784,015	S	*	4/2017	Woodhouse	D3/276
D792,708	S	*	7/2017	Tazawa	D3/276
2005/0247587	A1		11/2005	Holland-Letz		
2014/0014542	A1		1/2014	DePaola et al.		

* cited by examiner

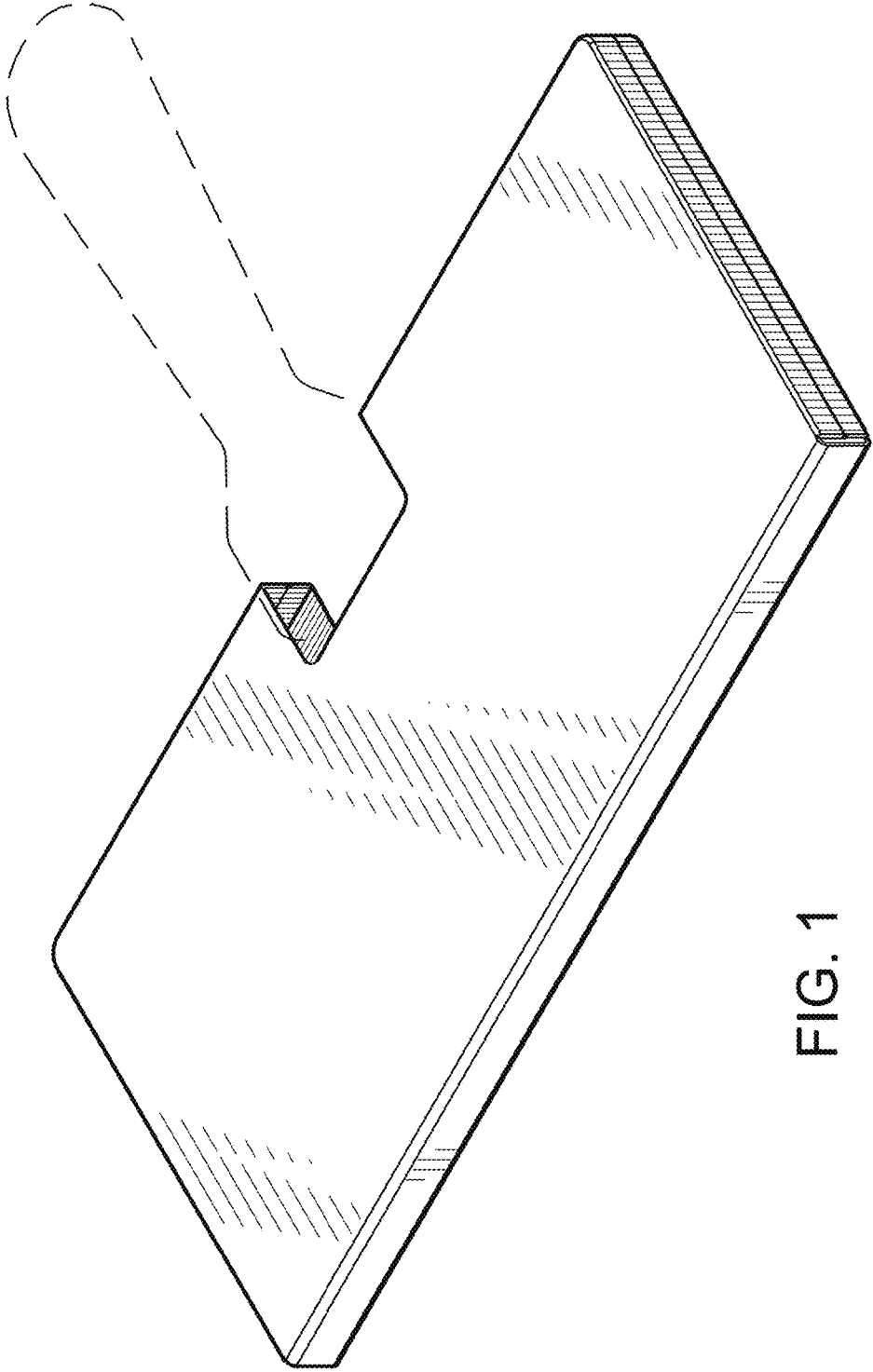


FIG. 1

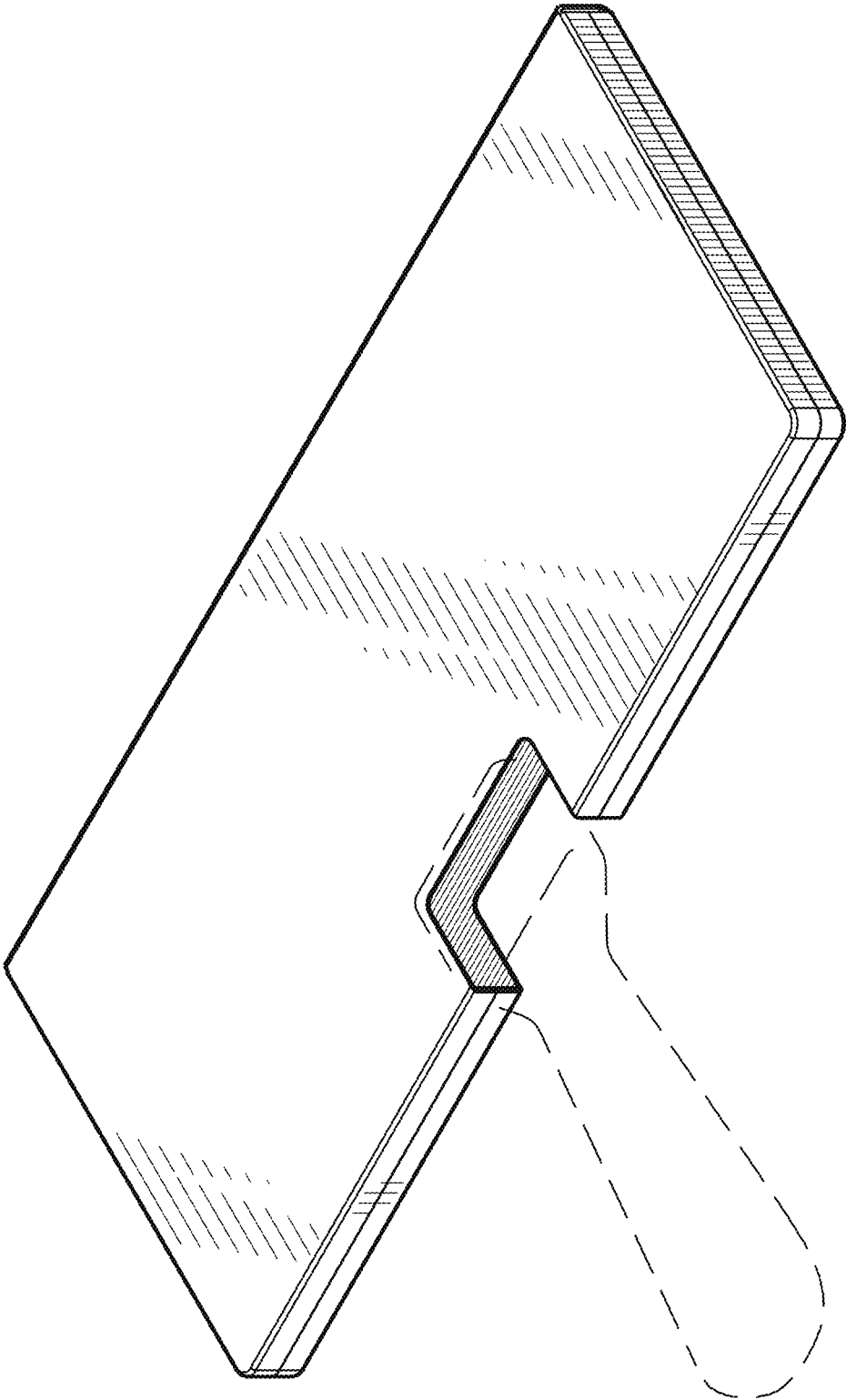


FIG. 2

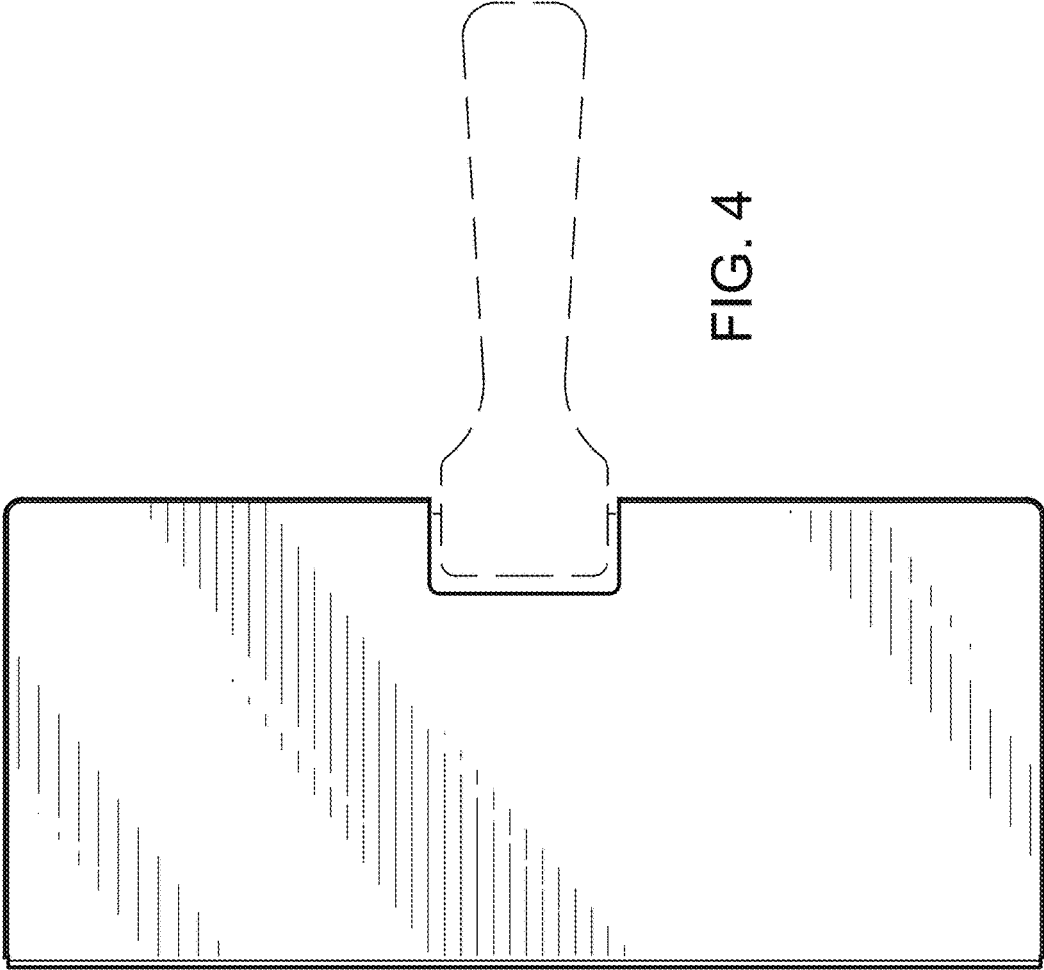


FIG. 4

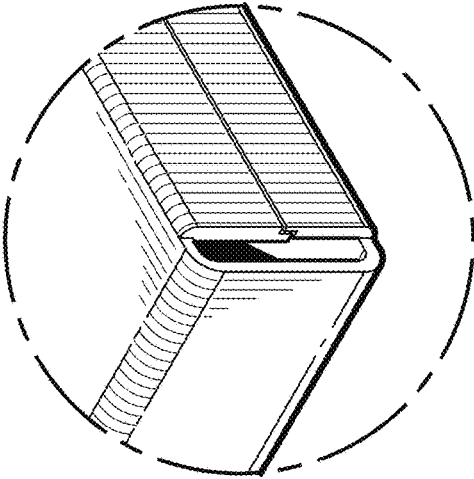


FIG. 3

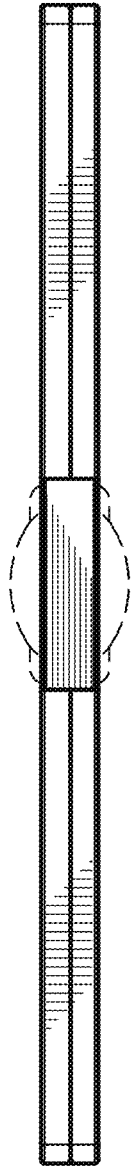


FIG. 5



FIG. 6

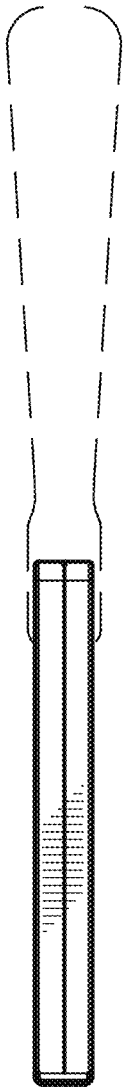


FIG. 7

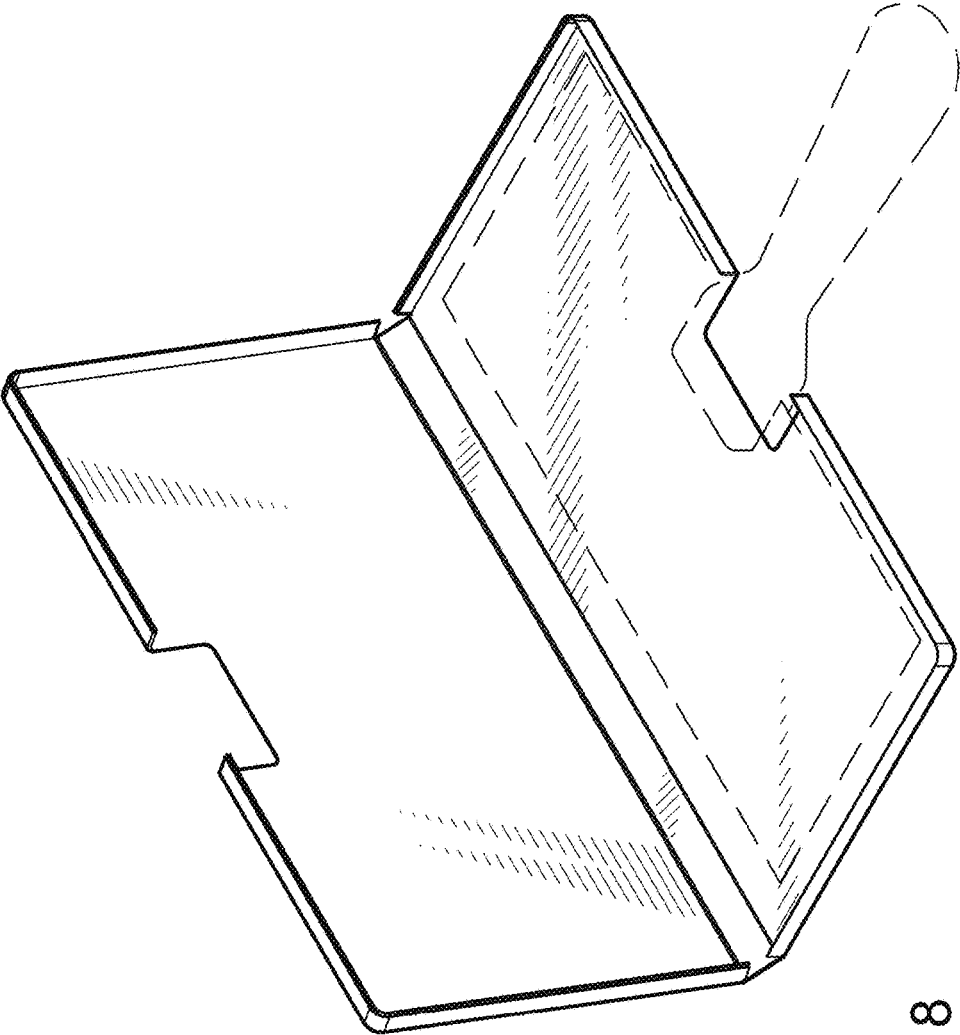


FIG. 8

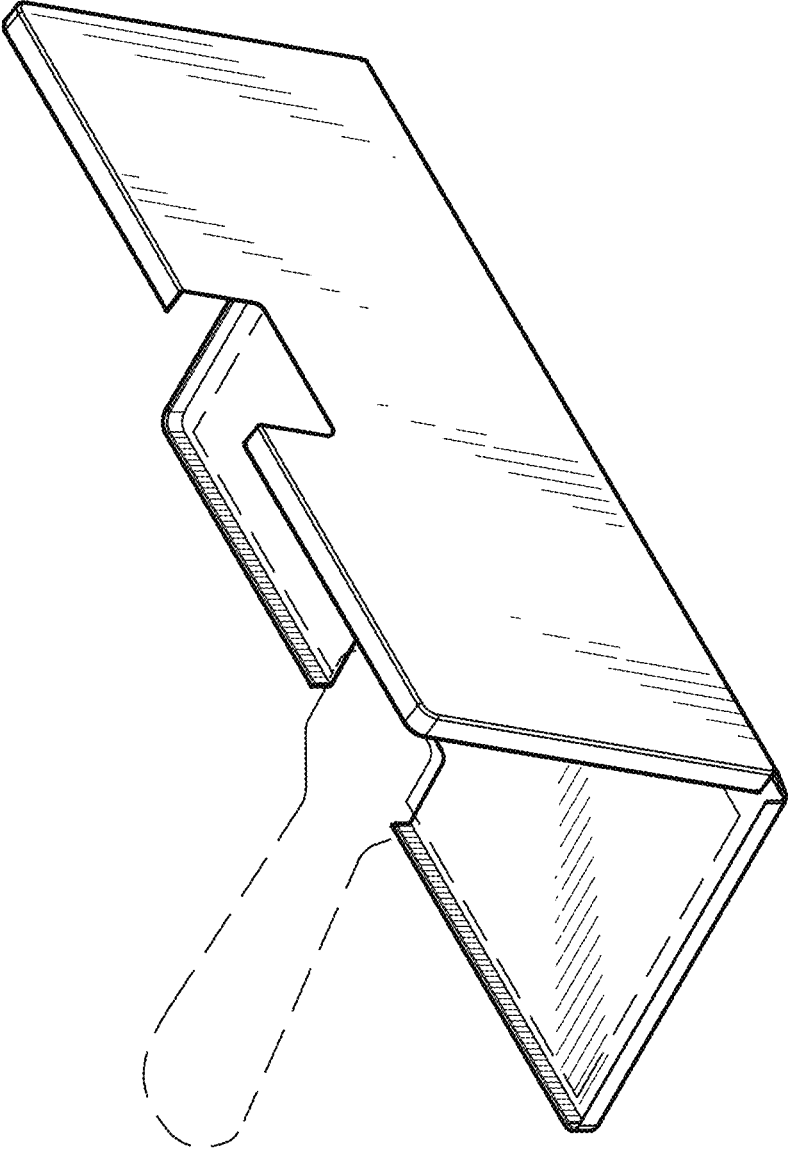


FIG. 9

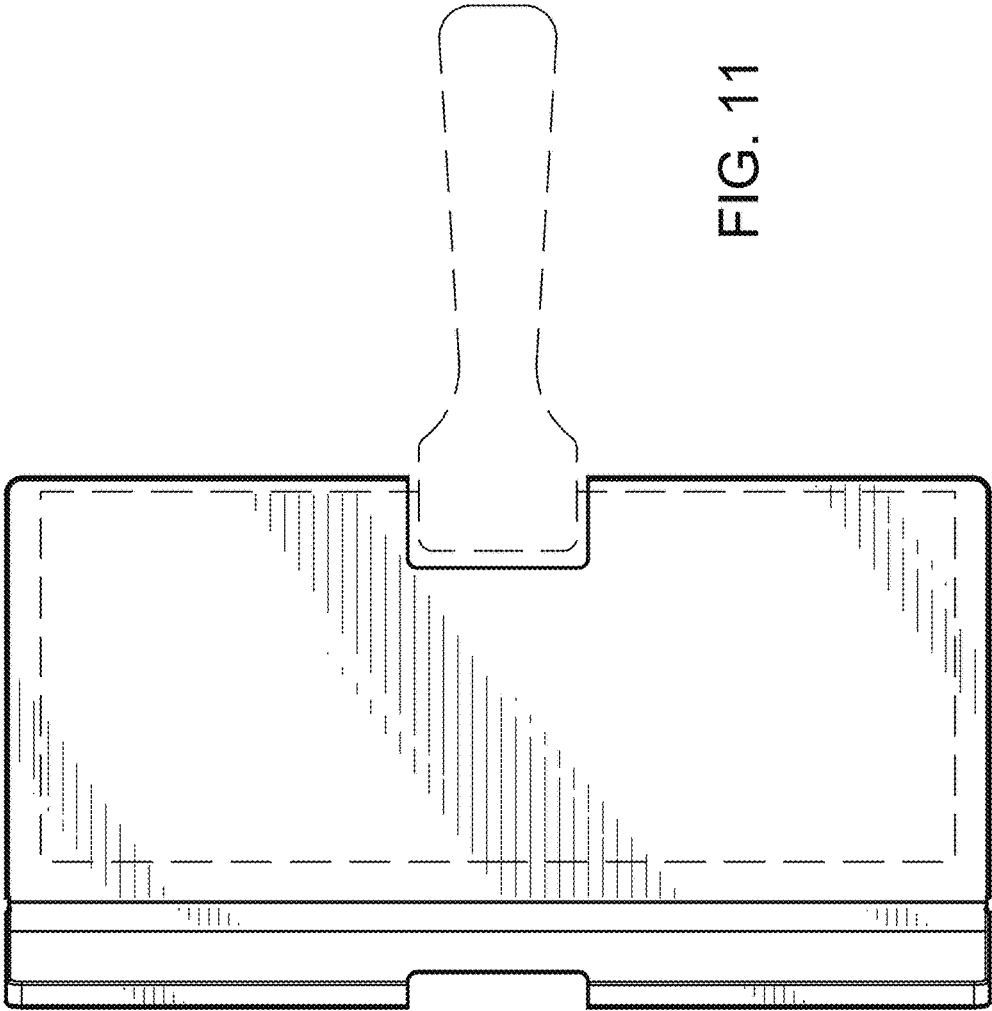


FIG. 11

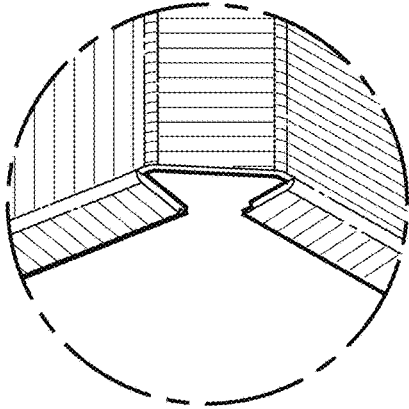


FIG. 10

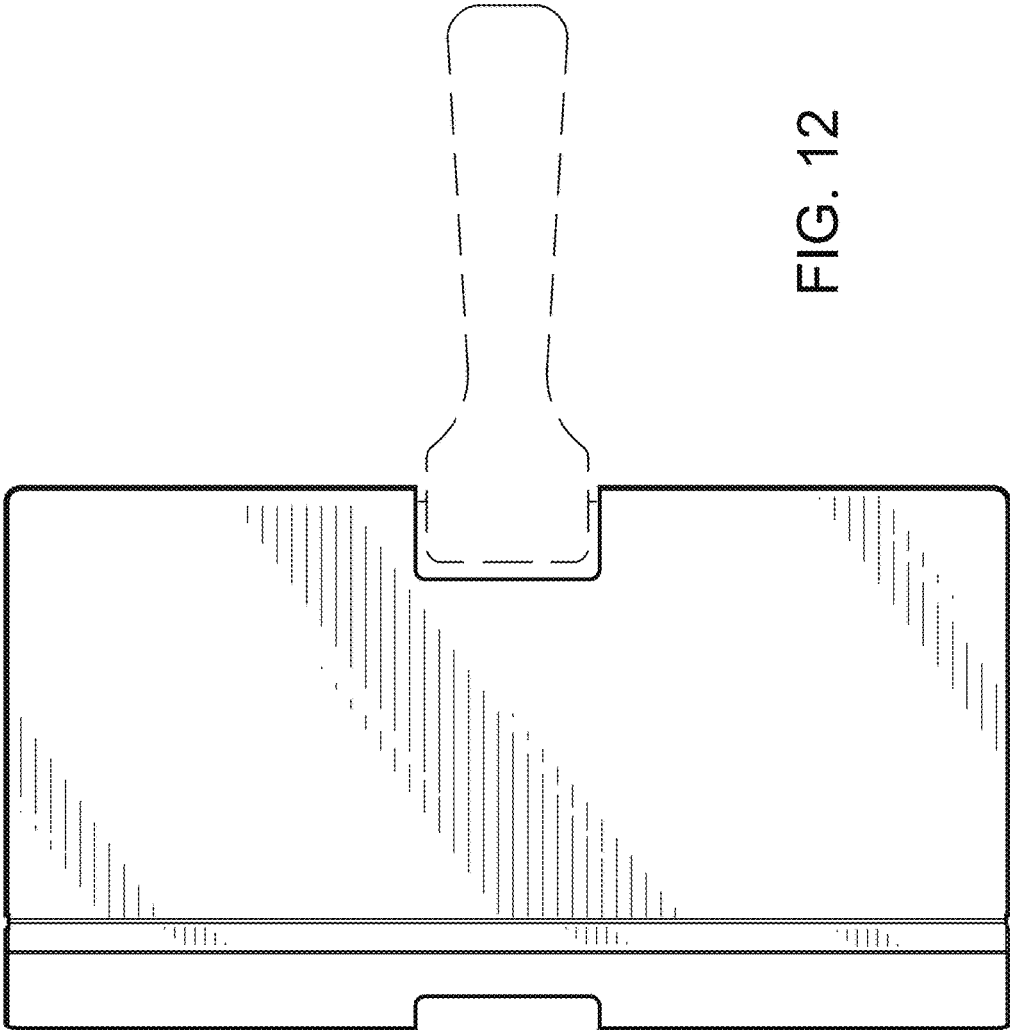


FIG. 12

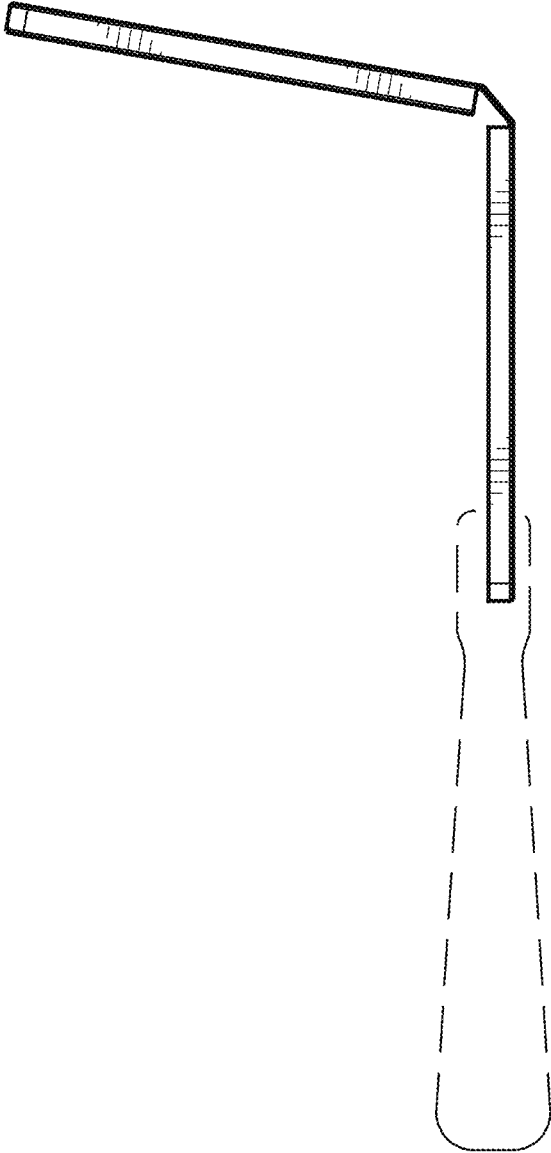


FIG. 13

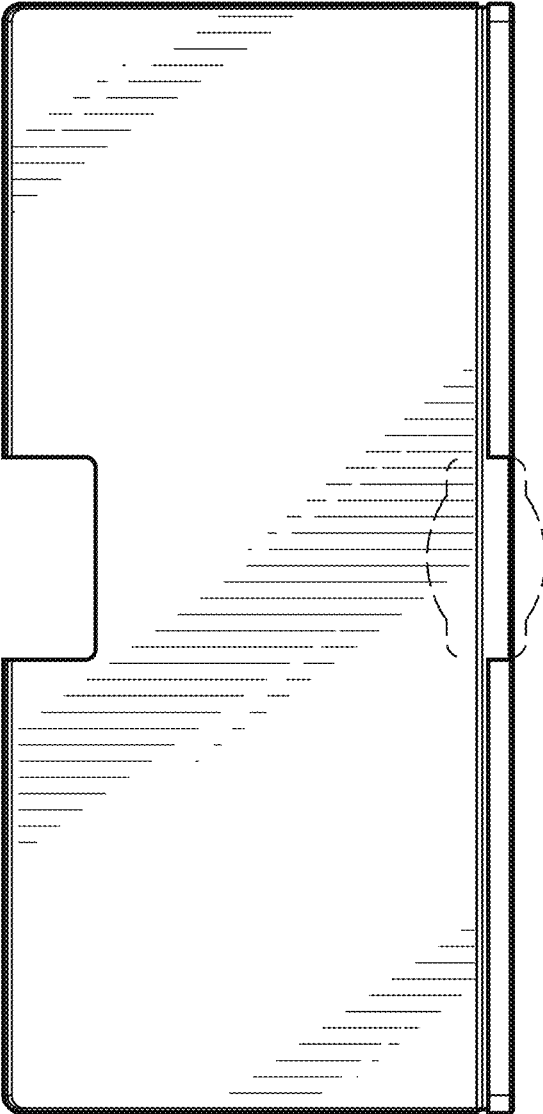


FIG. 14

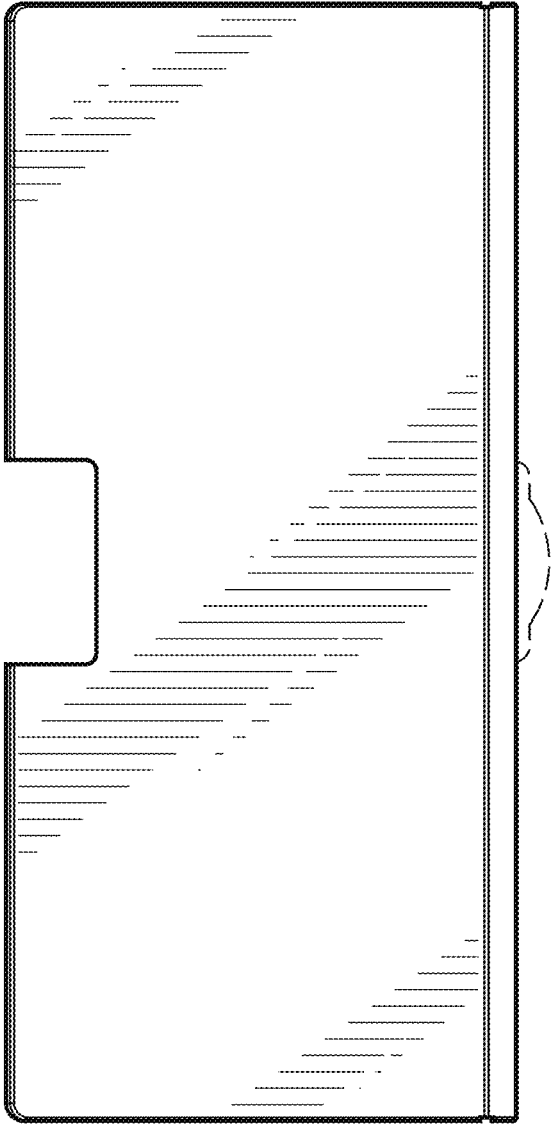


FIG. 15

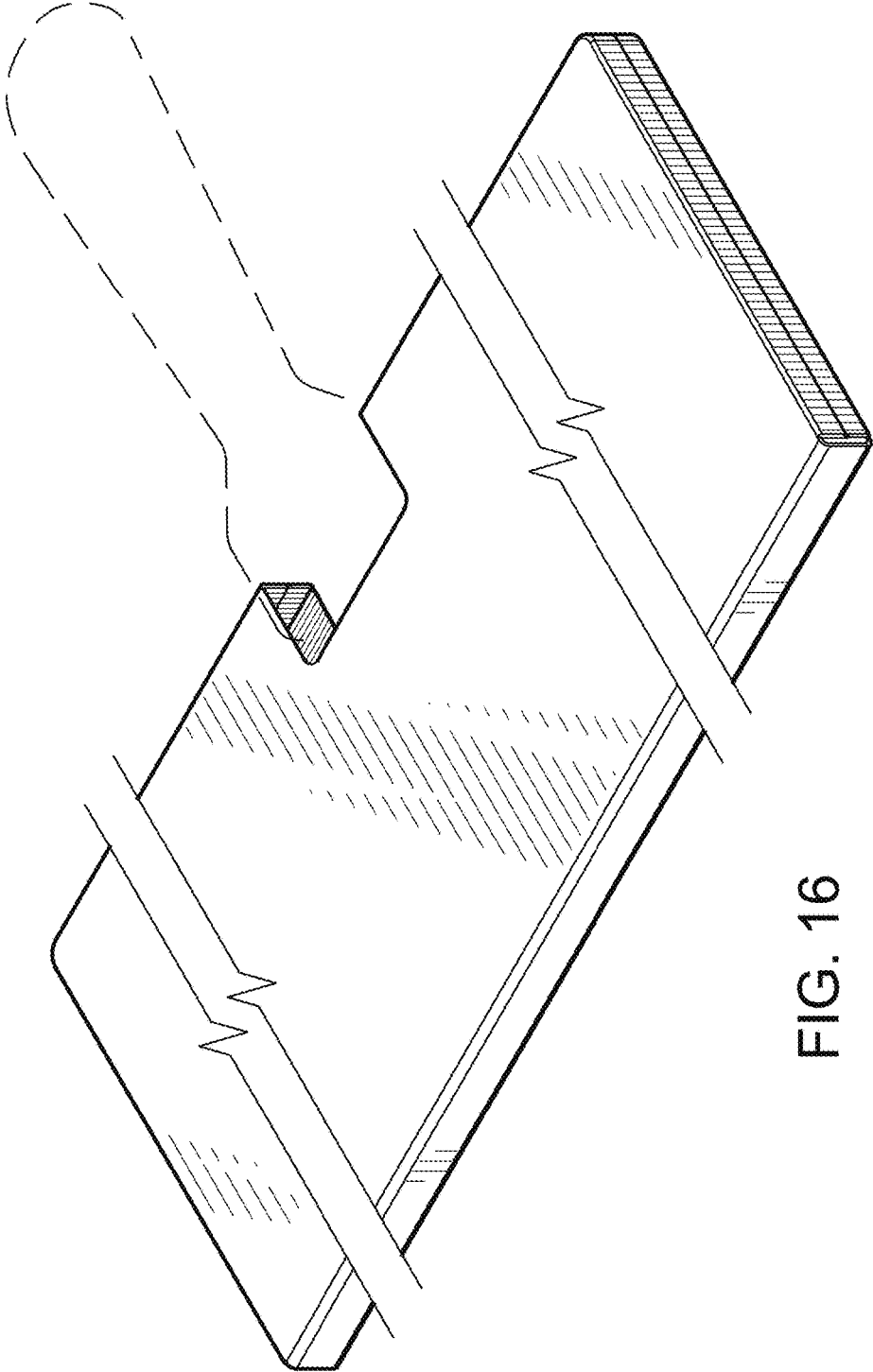


FIG. 16

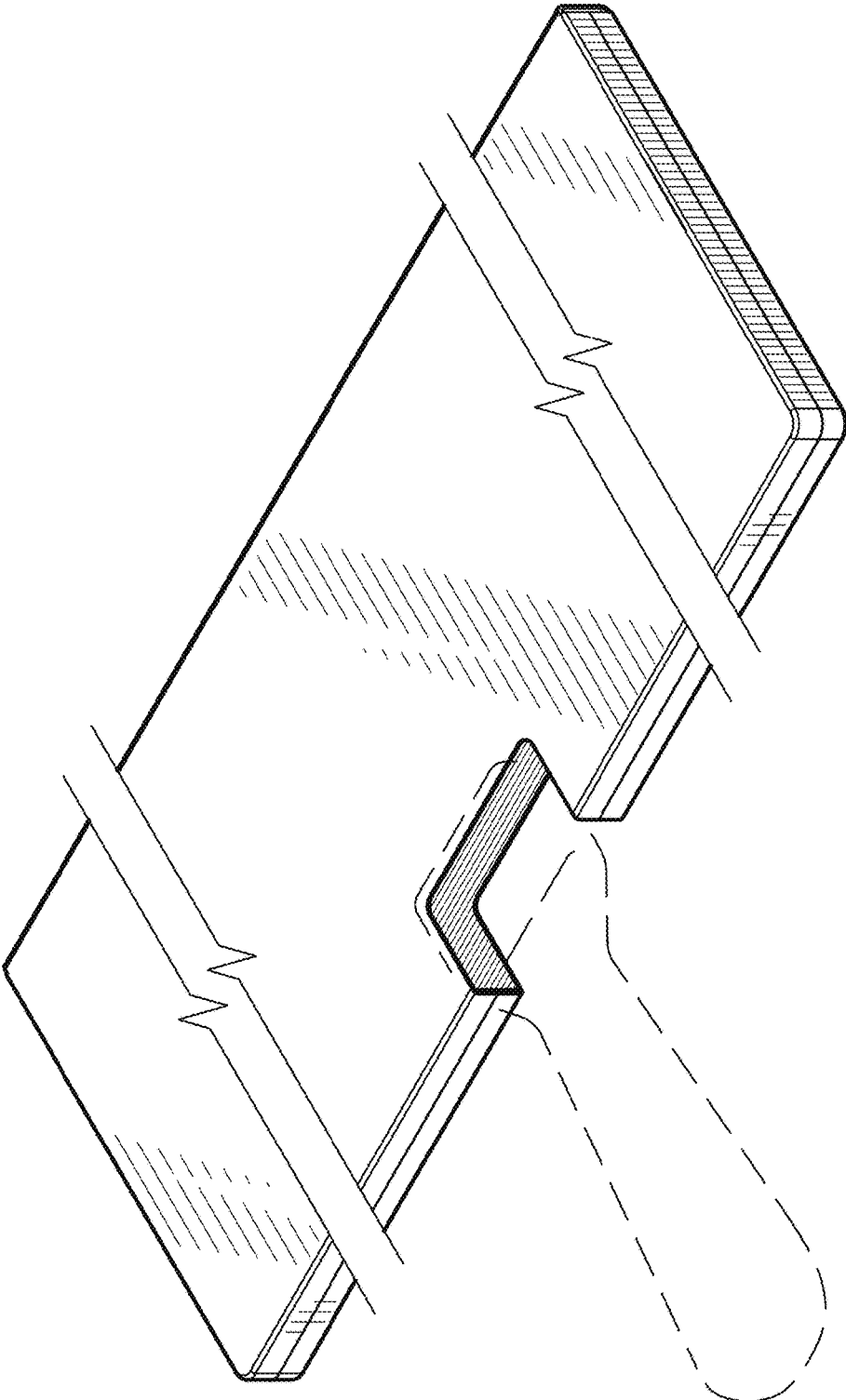


FIG. 17

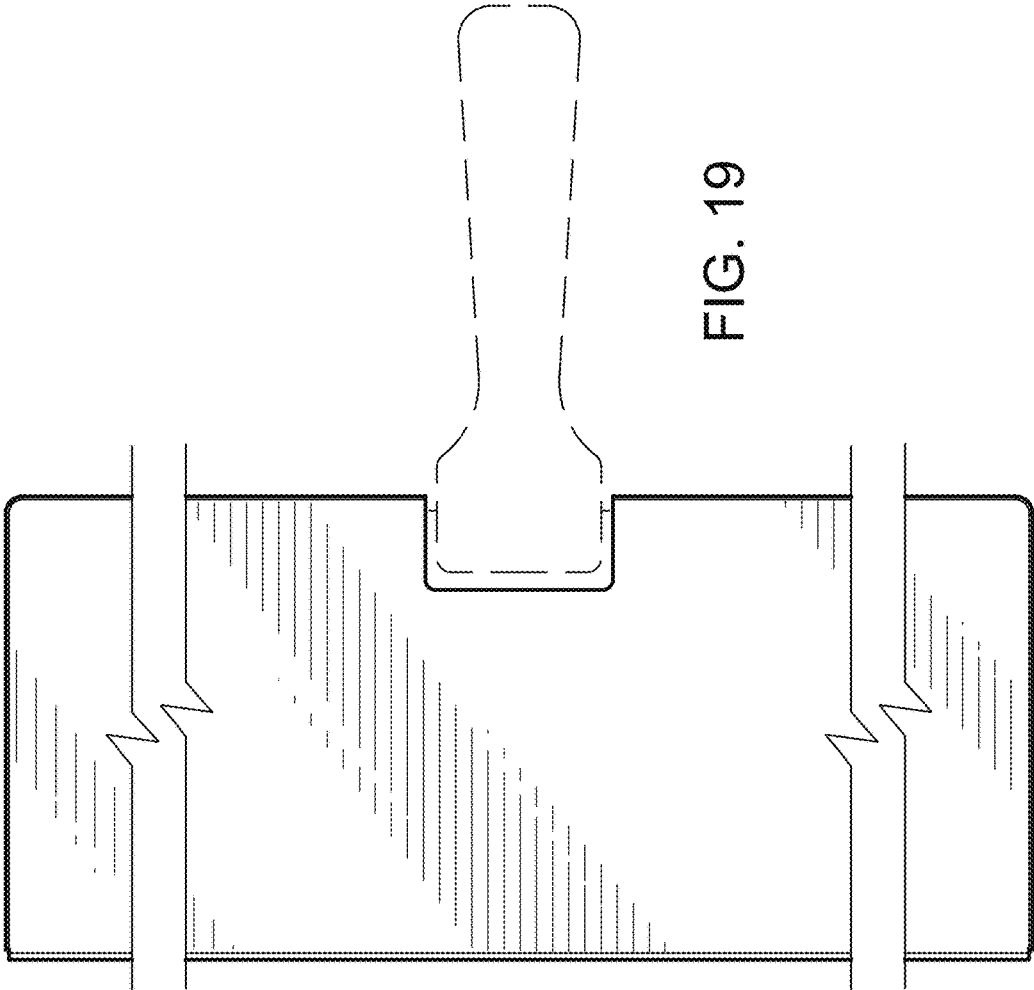


FIG. 19

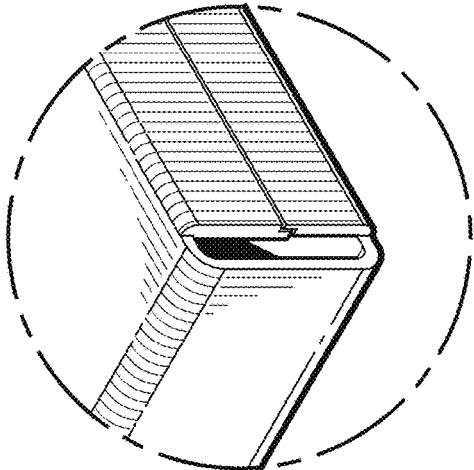


FIG. 18

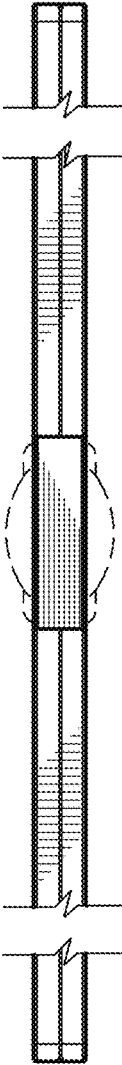


FIG. 20

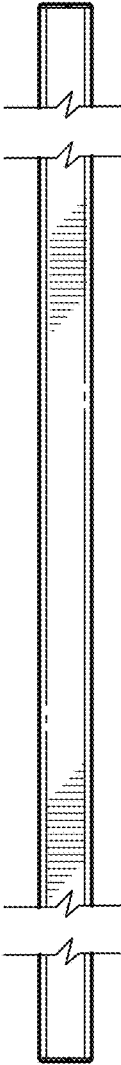


FIG. 21

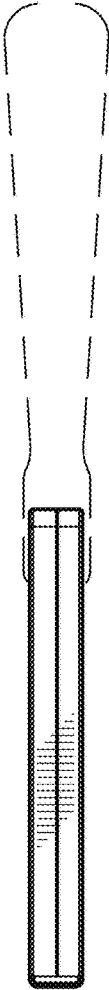


FIG. 22

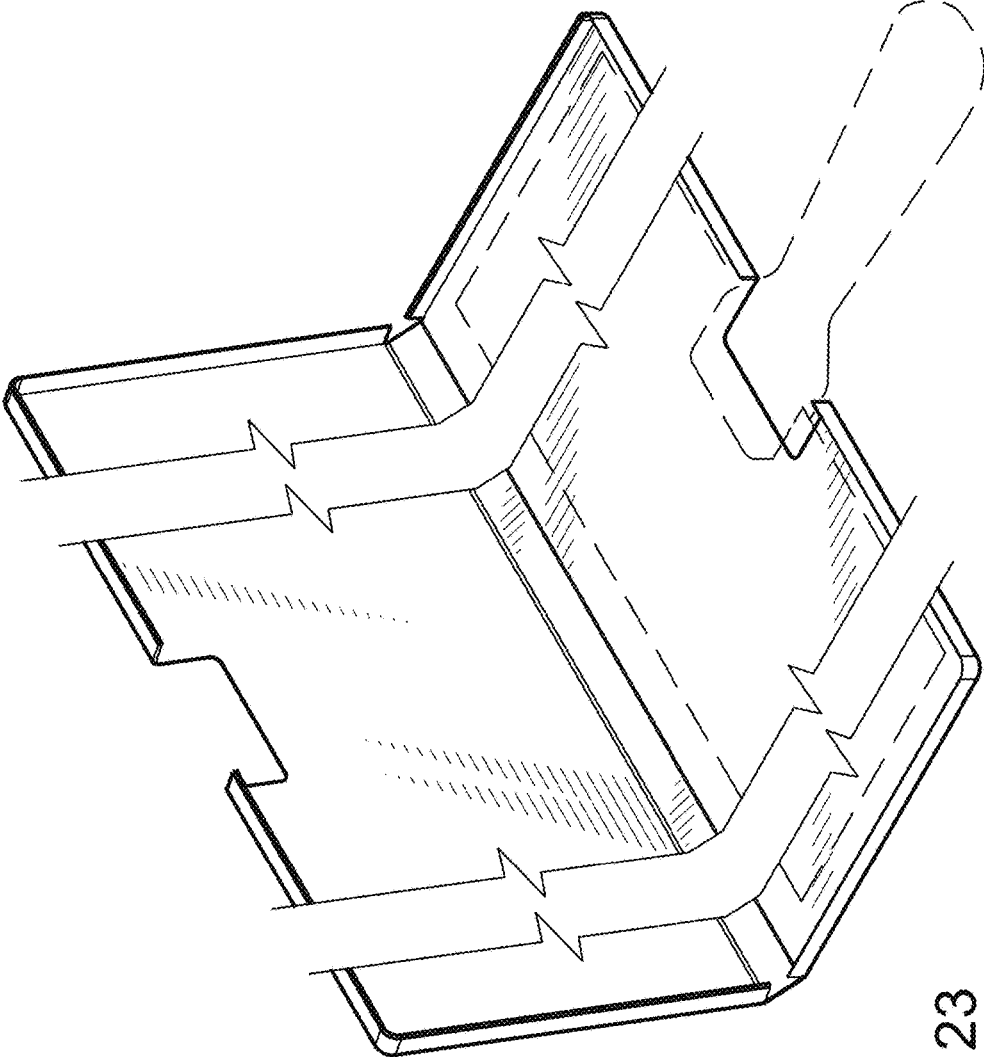


FIG. 23

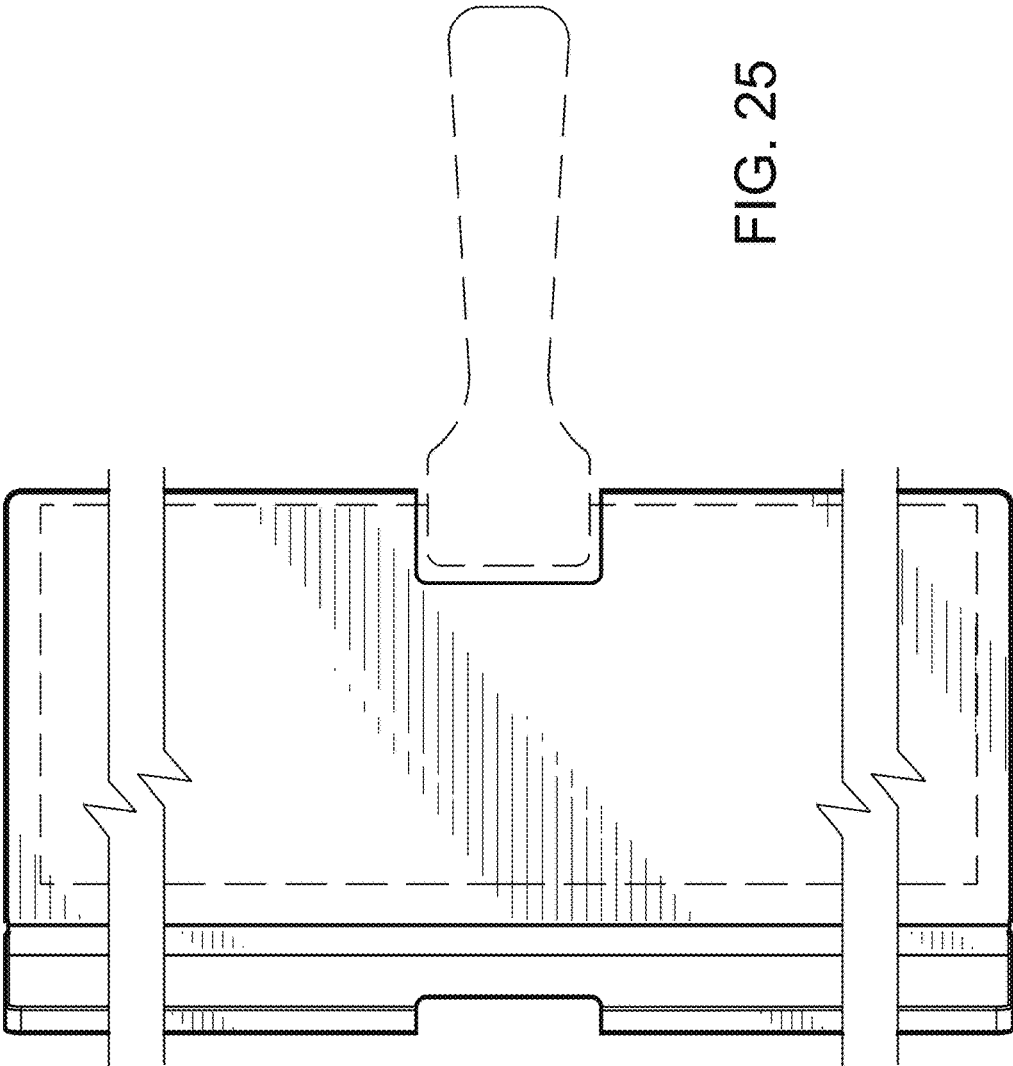


FIG. 25

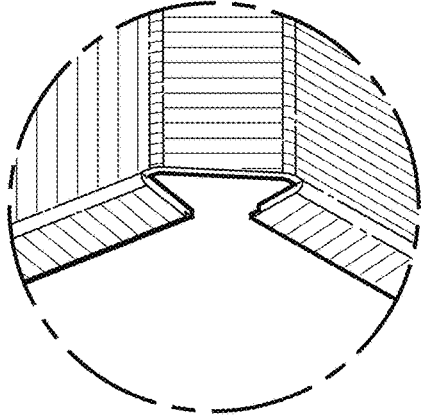


FIG. 24

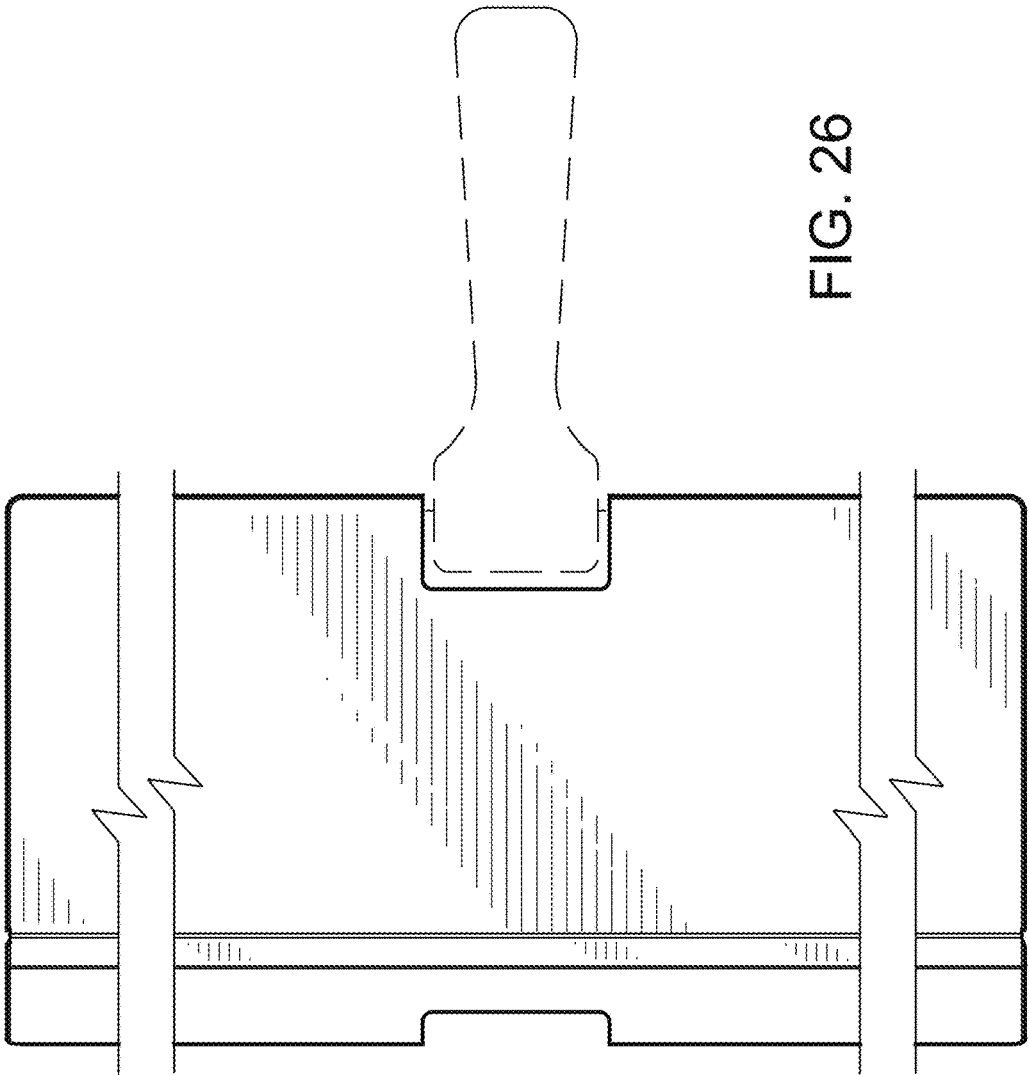


FIG. 26

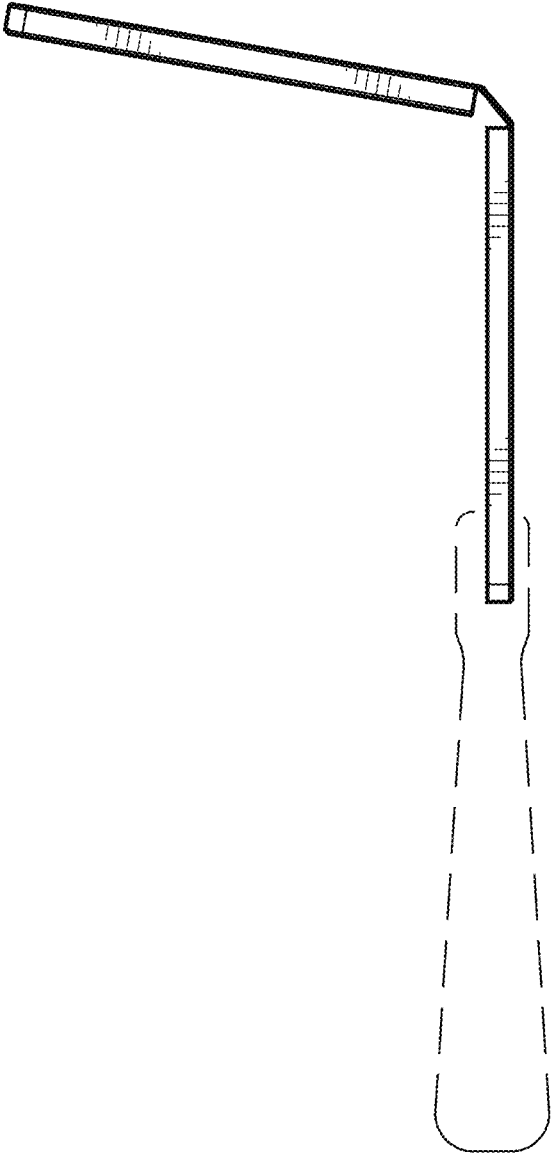


FIG. 27

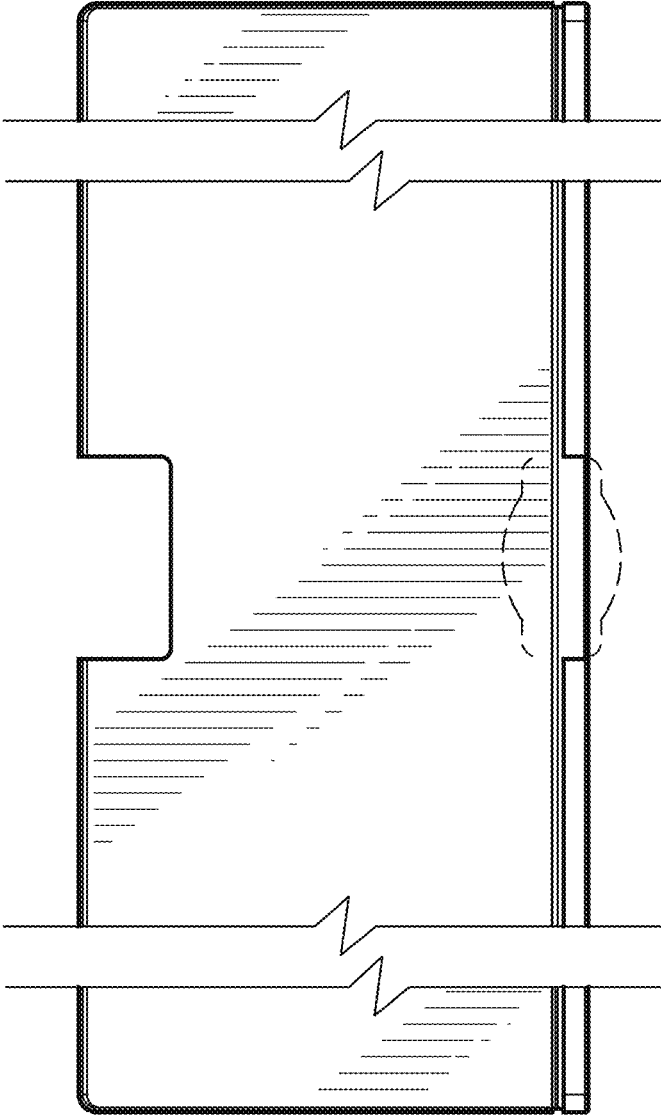


FIG. 28

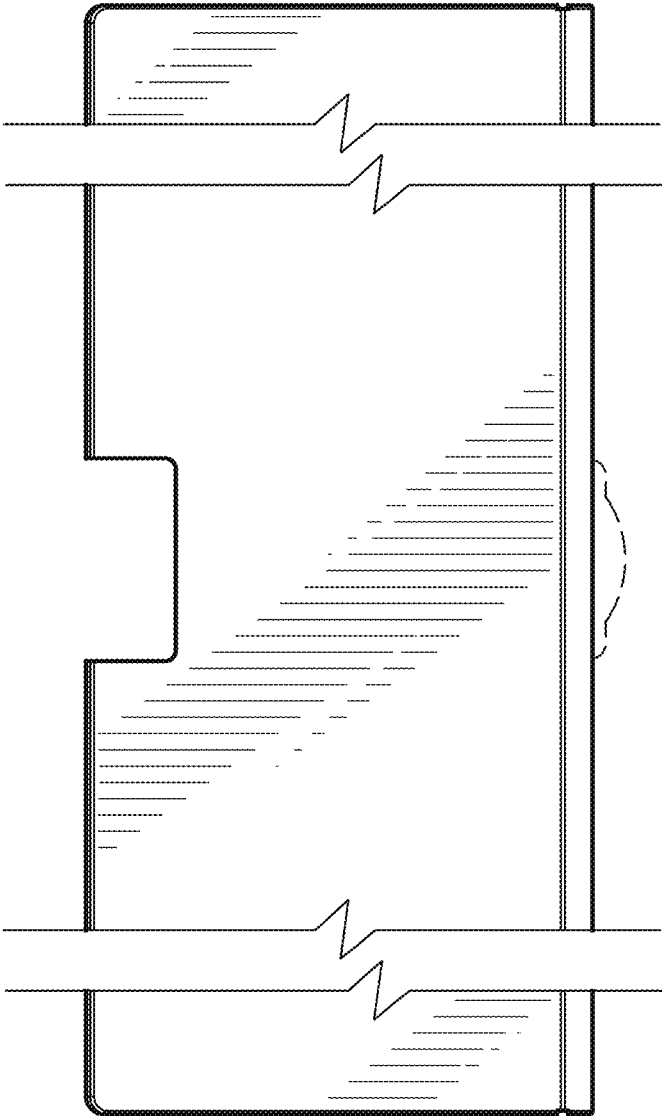


FIG. 29