

United States Patent [19]

Van Allman et al.

[11] Patent Number: Des. 322,017

[45] Date of Patent: ** Dec. 3, 1991

[54] **THREAD PROTECTING AND GUIDING CAP**

[75] Inventors: Don T. Van Allman, Palatine; Harish C. Gupta, Downers Grove, both of Ill.

[73] Assignee: Illinois Tool Works Inc., Glenview, Ill.

[**] Term: 14 Years

[21] Appl. No.: 358,042

[22] Filed: May 30, 1989

[52] U.S. Cl. D8/70

[58] Field of Search D8/70; 411/439, 440, 411/441, 493, 498, 596, 397, 371, 373, 394, 429

[56] **References Cited**

U.S. PATENT DOCUMENTS

| | | | |
|-----------|---------|----------------------|---------|
| 2,722,004 | 11/1955 | Webber et al. | 411/441 |
| 2,724,116 | 11/1955 | Termet | 411/441 |
| 2,761,348 | 9/1956 | Williame et al. | 411/441 |
| 2,920,563 | 1/1960 | De Caro | 411/441 |

| | | | |
|-----------|---------|----------------|---------|
| 2,968,984 | 1/1961 | De Caro | 411/441 |
| 3,212,388 | 10/1965 | Rosselet | 411/441 |

OTHER PUBLICATIONS

Illinois Tool Works Inc.

Primary Examiner—Nelson C. Holtje

Assistant Examiner—J. H. Musgrove

Attorney, Agent, or Firm—Neal C. Johnson; Thomas W. Buckman; John P. O'Brien

[57] **CLAIM**

The ornamental design for a thread protecting and guiding cap, as shown and described.

DESCRIPTION

FIG. 1 is a front top perspective view of a thread protecting and guiding cap showing our new design;

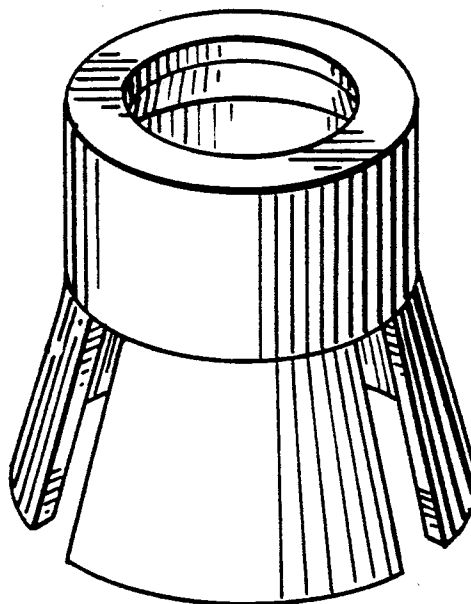
FIG. 2 is a top plan view;

FIG. 3 is a left side elevational view;

FIG. 4 is a front elevational view;

FIG. 5 is a rear elevational view; and

FIG. 6 is a bottom plan view.



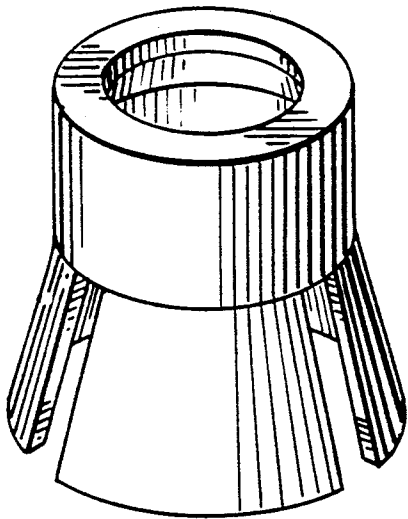


FIG. 1

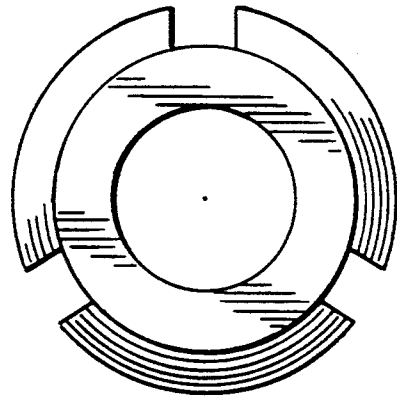


FIG. 2

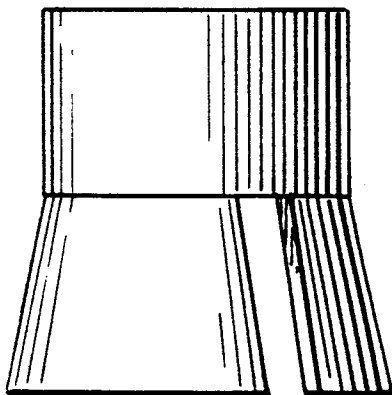


FIG. 3

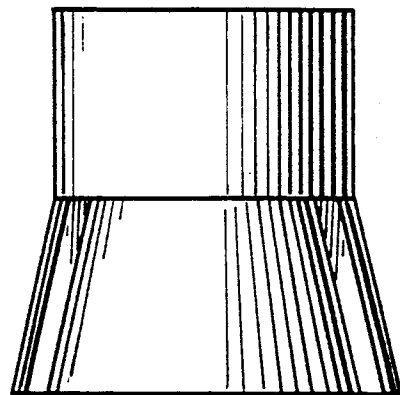


FIG. 4

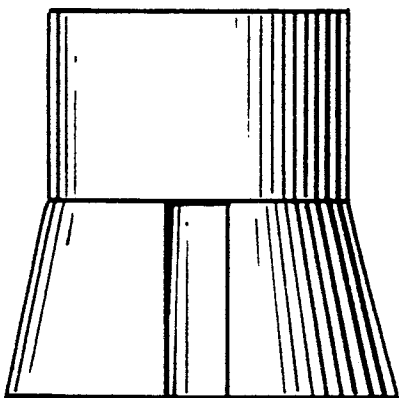


FIG. 5

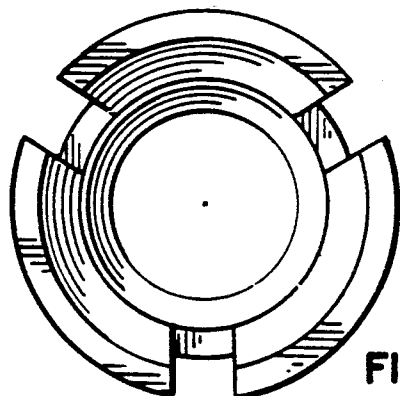


FIG. 6