

(19) World Intellectual Property Organization
International Bureau



(43) International Publication Date
15 April 2010 (15.04.2010)

PCT

(10) International Publication Number
WO 2010/042844 A3

- (51) **International Patent Classification:**
A61B 17/128 (2006.01) A61B 17/29 (2006.01)
- (21) **International Application Number:**
PCT/US2009/060201
- (22) **International Filing Date:**
9 October 2009 (09.10.2009)
- (25) **Filing Language:** English
- (26) **Publication Language:** English
- (30) **Priority Data:**
61/195,793 10 October 2008 (10.10.2008) US
- (71) **Applicant (for all designated States except US):**
SURGIQUEST, INCORPORATED [US/US]; 12 Cascade Boulevard - Suite 2b, Orange, CT 06477 (US).
- (72) **Inventors; and**
- (75) **Inventors/Applicants (for US only):** **PARK, Adrian, Edward** [US/US]; 1604 John Worthington Way, Crownsville, MD 21032 (US). **KNAPP, Charles, Francis** [US/US]; 110 Sheldrake Court, Georgetown, KY 40324 (US). **GUTELIUS, Patrick, N.** [US/US]; 34 Wayne Road, Monroe, CT 06468 (US). **STEARNS, Ralph** [US/US]; 38 South Road, Bozrah, CT 06334 (US).
- (74) **Agent:** **POLLACK, Michael, J.**; Edwards Angell Palmer & Dodge LLP, P.O. BOX 55874, Boston, MA 02205 (US).

- (81) **Designated States (unless otherwise indicated, for every kind of national protection available):** AE, AG, AL, AM, AO, AT, AU, AZ, BA, BB, BG, BH, BR, BW, BY, BZ, CA, CH, CL, CN, CO, CR, CU, CZ, DE, DK, DM, DO, DZ, EC, EE, EG, ES, FI, GB, GD, GE, GH, GM, GT, HN, HR, HU, ID, IL, IN, IS, JP, KE, KG, KM, KN, KP, KR, KZ, LA, LC, LK, LR, LS, LT, LU, LY, MA, MD, ME, MG, MK, MN, MW, MX, MY, MZ, NA, NG, NI, NO, NZ, OM, PE, PG, PH, PL, PT, RO, RS, RU, SC, SD, SE, SG, SK, SL, SM, ST, SV, SY, TJ, TM, TN, TR, TT, TZ, UA, UG, US, UZ, VC, VN, ZA, ZM, ZW.
- (84) **Designated States (unless otherwise indicated, for every kind of regional protection available):** ARIPO (BW, GH, GM, KE, LS, MW, MZ, NA, SD, SL, SZ, TZ, UG, ZM, ZW), Eurasian (AM, AZ, BY, KG, KZ, MD, RU, TJ, TM), European (AT, BE, BG, CH, CY, CZ, DE, DK, EE, ES, FI, FR, GB, GR, HR, HU, IE, IS, IT, LT, LU, LV, MC, MK, MT, NL, NO, PL, PT, RO, SE, SI, SK, SM, TR), OAPI (BF, BJ, CF, CG, CI, CM, GA, GN, GQ, GW, ML, MR, NE, SN, TD, TG).

Published:

- with international search report (Art. 21(3))
- before the expiration of the time limit for amending the claims and to be republished in the event of receipt of amendments (Rule 48.2(h))

- (88) **Date of publication of the international search report:**
29 July 2010

(54) **Title:** INTERNAL RETRACTION SYSTEMS AND DEVICES

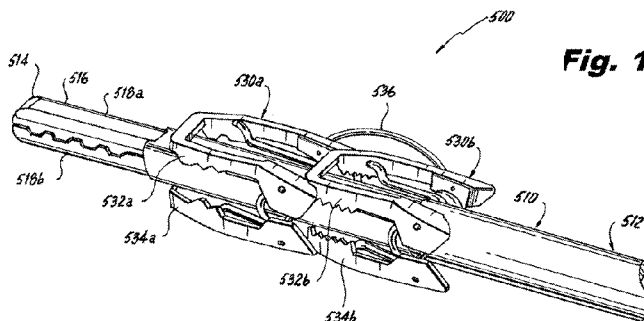


Fig. 15

(57) **Abstract:** An internal retraction system for use in minimally-invasive surgical procedures includes, among other features, an elongated applicator that has proximal and distal ends. The distal end of the applicator includes a grasper and the proximal end includes a mechanism or actuator for moving the grasper from an open position to a closed position. A plurality of anchor clips are slidably mounted on the elongated applicator and are initially in a stored position. Each clip includes spring biased upper and lower jaws for grasping tissue. The internal retraction system also includes a structure associated with the applicator for deploying the anchor clips from the stored position to a deployed position at a desired location. Moreover, the internal retraction system includes a mechanism associated with the applicator for removing the anchor clips from the deployed position and returning the clips to the stored position.



WO 2010/042844 A3

INTERNATIONAL SEARCH REPORT

International application No.
PCT/US2009/060201**A. CLASSIFICATION OF SUBJECT MATTER****A61B 17/128(2006.01)i, A61B 17/29(2006.01)i**

According to International Patent Classification (IPC) or to both national classification and IPC

B. FIELDS SEARCHED

Minimum documentation searched (classification system followed by classification symbols)

IPC: A61B

Documentation searched other than minimum documentation to the extent that such documents are included in the fields searched

Korean Utility models and applications for Utility models
Japanese Utility models and applications for Utility models

Electronic data base consulted during the international search (name of data base and, where practicable, search terms used)

eKOMPASS(KIPO internal) & keywords: RETRACT, GRASPER and CLIP

C. DOCUMENTS CONSIDERED TO BE RELEVANT

Category*	Citation of document, with indication, where appropriate, of the relevant passages	Relevant to claim No.
A	US 2008-0114377 A1 (HIROAKI SHIBATA; TOMOHIRO KAWANO) 15 May 2008 (2008-05-15) See abstract, paragraphs [0022] - [0040] and figures 1 - 8	1 - 8
A	WO 2008-090978 A1 (OLYMPUS MEDICAL SYSTEMS CORP.) 31 July 2008 (2008-07-31) See abstract, paragraphs [0013] - [0087] and figures 1 - 46	1 - 8
A	US 2007-0282355 A1 (HILBERT D. BROWN et al.) 6 December 2007 (2007-12-06) See abstract, paragraphs [0039] - [0116] and figures 1 - 19	1 - 8
A	WO 2006-098994 A1 (WILSON-COOK MEDICAL, INC.) 21 September 2006 (2006-09-21) See abstract, paragraphs [0031] - [0054] and figures 1 - 8	1 - 8

 Further documents are listed in the continuation of Box C. See patent family annex.

* Special categories of cited documents:

"A" document defining the general state of the art which is not considered to be of particular relevance

"E" earlier application or patent but published on or after the international filing date

"L" document which may throw doubts on priority claim(s) or which is cited to establish the publication date of citation or other special reason (as specified)

"O" document referring to an oral disclosure, use, exhibition or other means

"P" document published prior to the international filing date but later than the priority date claimed

"T" later document published after the international filing date or priority date and not in conflict with the application but cited to understand the principle or theory underlying the invention

"X" document of particular relevance; the claimed invention cannot be considered novel or cannot be considered to involve an inventive step when the document is taken alone

"Y" document of particular relevance; the claimed invention cannot be considered to involve an inventive step when the document is combined with one or more other such documents, such combination being obvious to a person skilled in the art

"&" document member of the same patent family

Date of the actual completion of the international search

24 MAY 2010 (24.05.2010)

Date of mailing of the international search report

24 MAY 2010 (24.05.2010)

Name and mailing address of the ISA/KR

Korean Intellectual Property Office
Government Complex-Daejeon, 139 Seonsa-ro, Seo-
gu, Daejeon 302-701, Republic of Korea

Facsimile No. 82-42-472-7140

Authorized officer

Hong, Young Uk

Telephone No. 82-42-481-8465



INTERNATIONAL SEARCH REPORT

Information on patent family members

International application No.

PCT/US2009/060201

Patent document cited in search report	Publication date	Patent family member(s)	Publication date
US 2008-0114377 A1	15.05.2008	DE 102007053397 A1	15.05.2008
		FR 2908286 A1	16.05.2008
		GB 0722013 D0	19.12.2007
		GB 2443736 A	14.05.2008
		JP 2008-119068 A	29.05.2008
=====			
WO 2008-090978 A1	31.07.2008	CN 101588760 A	25.11.2009
		EP 2127606 A1	02.12.2009
		KR 10-2009-0105940 A	07.10.2009
		US 2008-0255427 A1	16.10.2008
=====			
US 2007-0282355 A1	06.12.2007	AU 2007-255016 A1	13.12.2007
		CA 2654004 A1	13.12.2007
		EP 2020925 A2	11.02.2009
		JP 2009-538699 T	12.11.2009
		US 2007-0282355 A1	06.12.2007
		WO 2007-142977 A2	13.12.2007
		WO 2007-142977 A3	29.05.2008
=====			
WO 2006-098994 A1	21.09.2006	AT 421290 T	15.02.2009
		AU 2006-223494 A1	21.09.2006
		CA 2601234 A1	21.09.2006
		DE 602006004974 D1	12.03.2009
		EP 1861020 A1	05.12.2007
		EP 1861020 B1	21.01.2009
		JP 2008-532637 A	21.08.2008
		JP 2008-532637 T	21.08.2008
=====			