



US00D722803S

(12) **United States Design Patent**  
**Striebel et al.**

(10) **Patent No.:** **US D722,803 S**

(45) **Date of Patent:** **\*\* Feb. 24, 2015**

(54) **CHAIR**

(71) Applicants: **Kenneth Joseph Striebel**, Carmel, IN  
(US); **Jared Janzen Boyd**, Indianapolis,  
IN (US); **Ryan Elbert McNew**,  
Indianapolis, IN (US)

(72) Inventors: **Kenneth Joseph Striebel**, Carmel, IN  
(US); **Jared Janzen Boyd**, Indianapolis,  
IN (US); **Ryan Elbert McNew**,  
Indianapolis, IN (US)

(73) Assignee: **Dimensions, Inc.**, Carmel, IN (US)

(\*\*) Term: **14 Years**

(21) Appl. No.: **29/465,193**

(22) Filed: **Aug. 26, 2013**

(51) **LOC (10) Cl.** ..... **06-01**

(52) **U.S. Cl.**

USPC ..... **D6/716.4**

(58) **Field of Classification Search**

CPC ..... A47C 3/04; A47C 4/02; A47C 4/03;  
A47C 5/12

USPC ..... D6/334-336, 370, 372, 374, 376, 379,  
D6/380, 716, 716.4; 297/239, 411.4,  
297/411.41, 445.1, 446.1, 451.11, 451.12

See application file for complete search history.

(56) **References Cited**

U.S. PATENT DOCUMENTS

D284,718 S *	7/1986	Massonnet .....	D6/380
5,088,792 A *	2/1992	Guichon .....	A47C 5/12
D331,324 S *	12/1992	Grosfillex .....	D6/375
D359,860 S *	7/1995	Arthur, Jr. ....	D6/379
D369,920 S *	5/1996	Tseng .....	D6/376
D617,569 S *	6/2010	Starck .....	D6/379
D672,173 S *	12/2012	Lee .....	D6/716.4

\* cited by examiner

*Primary Examiner* — Mimosa De

(74) *Attorney, Agent, or Firm* — Ice Miller LLP

(57) **CLAIM**

The ornamental design for a chair, as shown and described.

**DESCRIPTION**

FIG. 1 is a front perspective view of a chair, showing our new design;

FIG. 2 is a back perspective view thereof;

FIG. 3 is a front plan view thereof;

FIG. 4 is a rear plan view thereof;

FIG. 5 is a side plan view thereof; and the opposite side plan

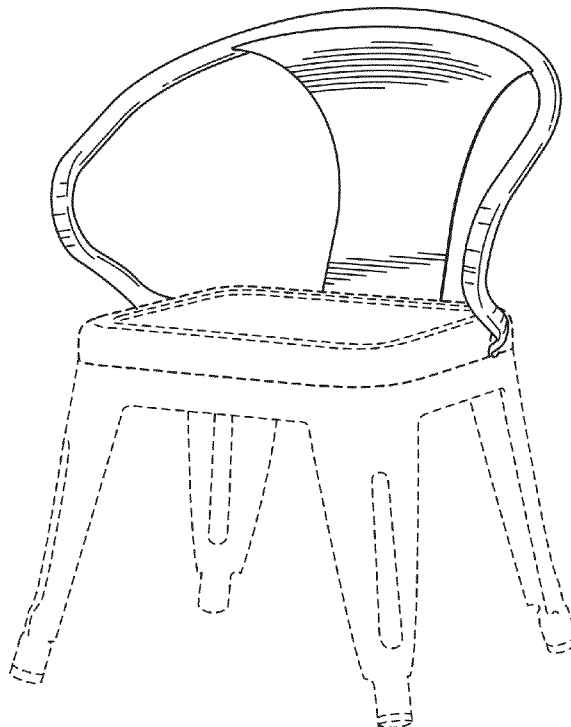
view is a mirror image of the side plan view thereof;

FIG. 6 is a top plan view thereof; and,

FIG. 7 is a bottom plan view thereof.

The broken lines shown in the drawing are for illustrative purposes only and form no part of the claimed design.

**1 Claim, 7 Drawing Sheets**



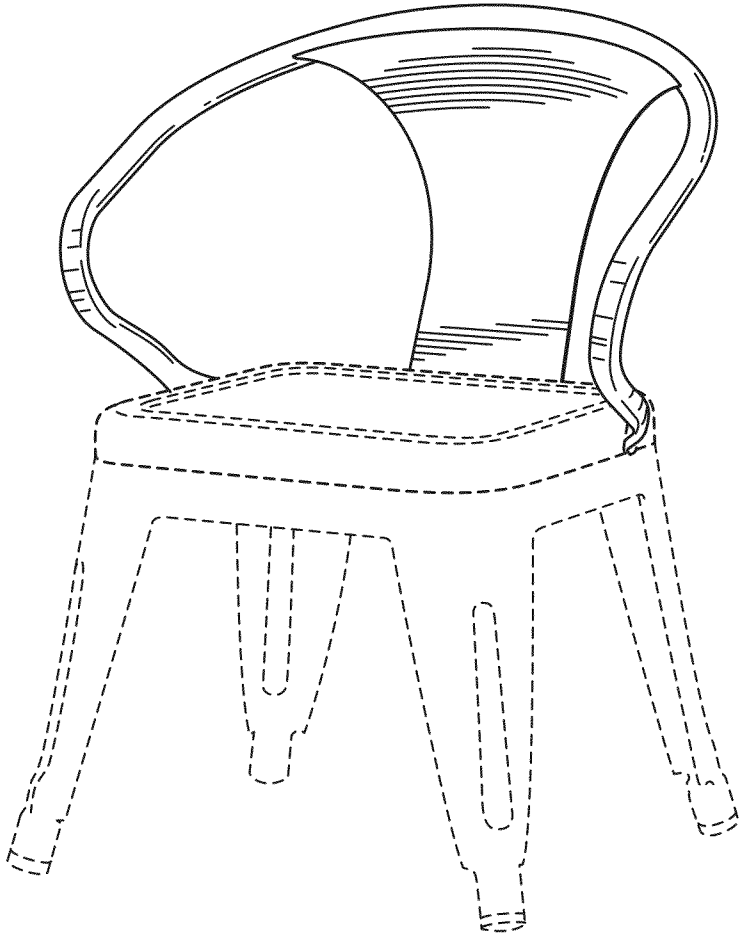


FIG. 1

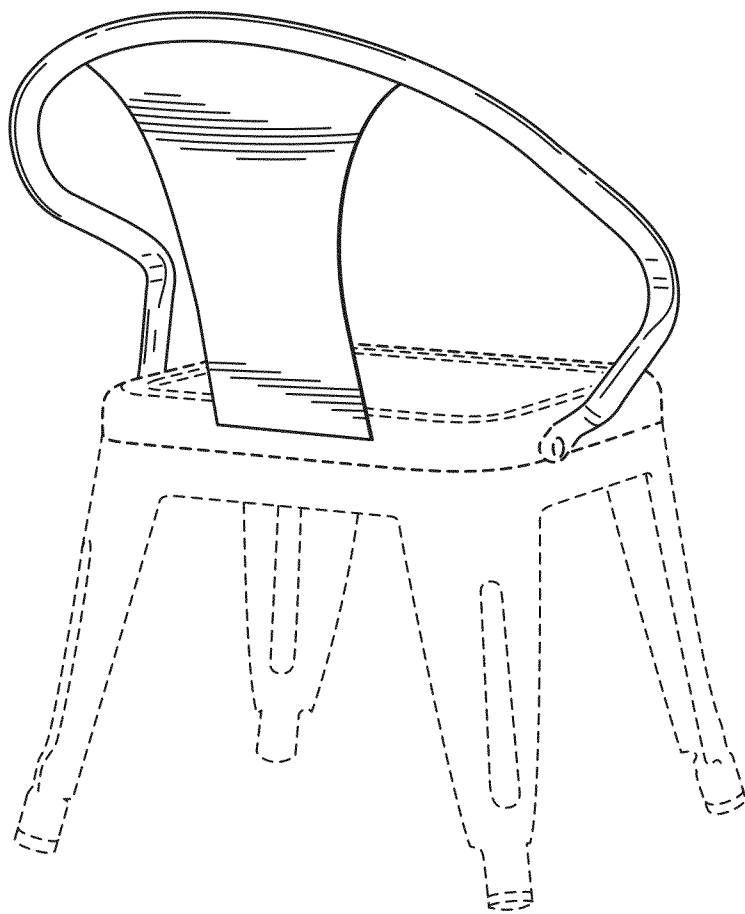


FIG. 2

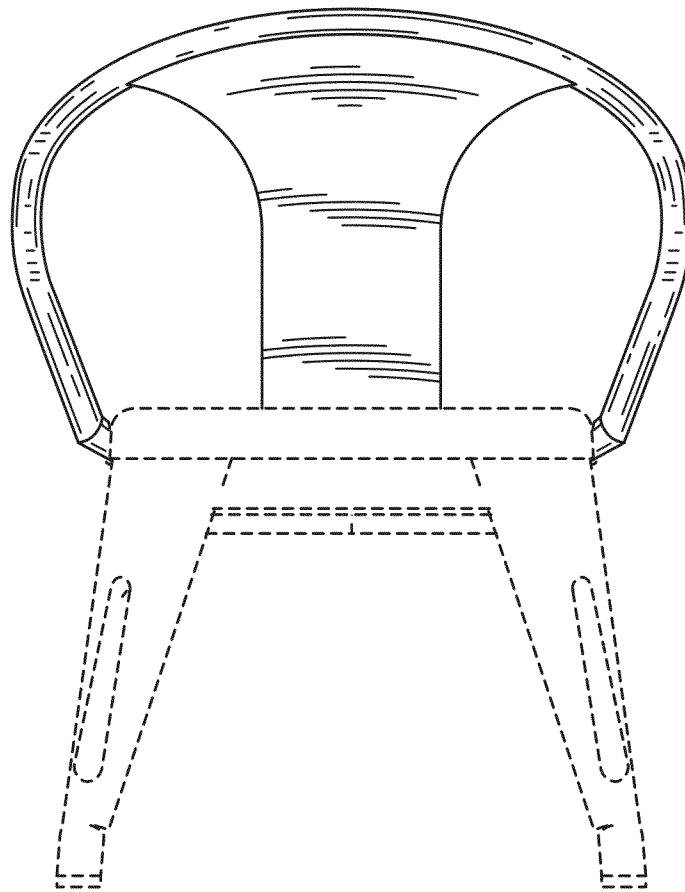


FIG. 3

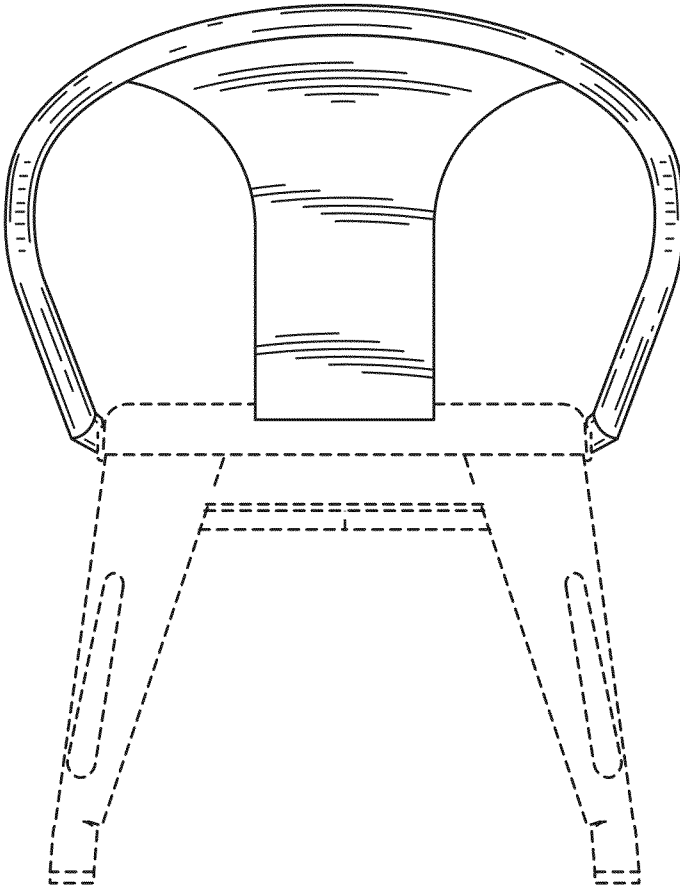


FIG. 4

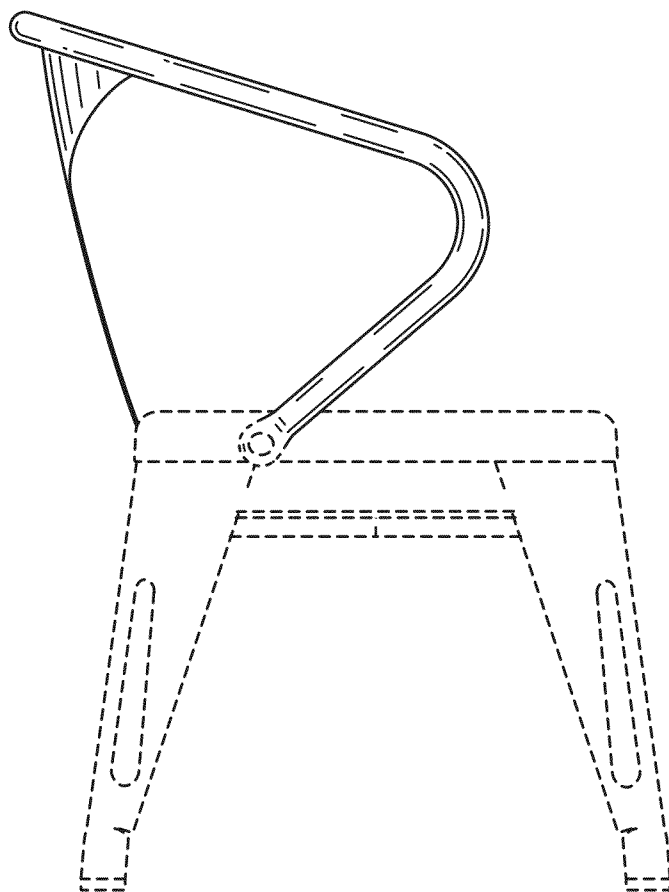


FIG. 5

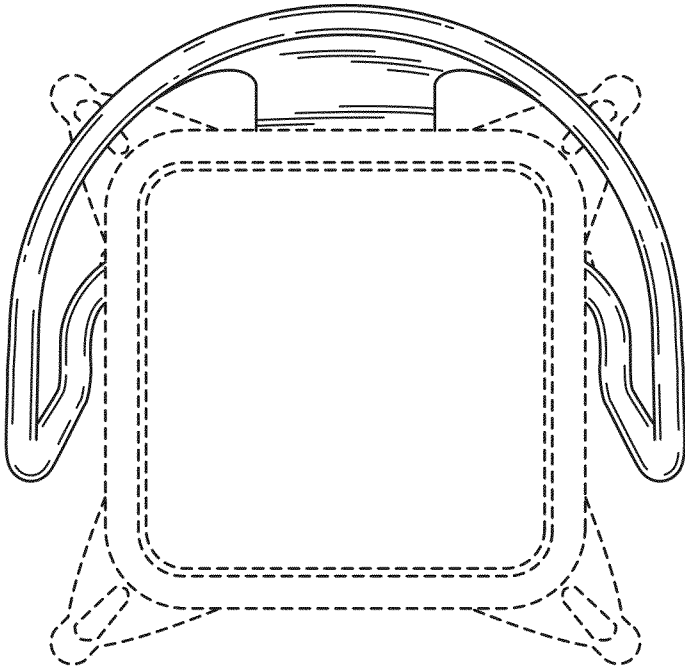


FIG. 6

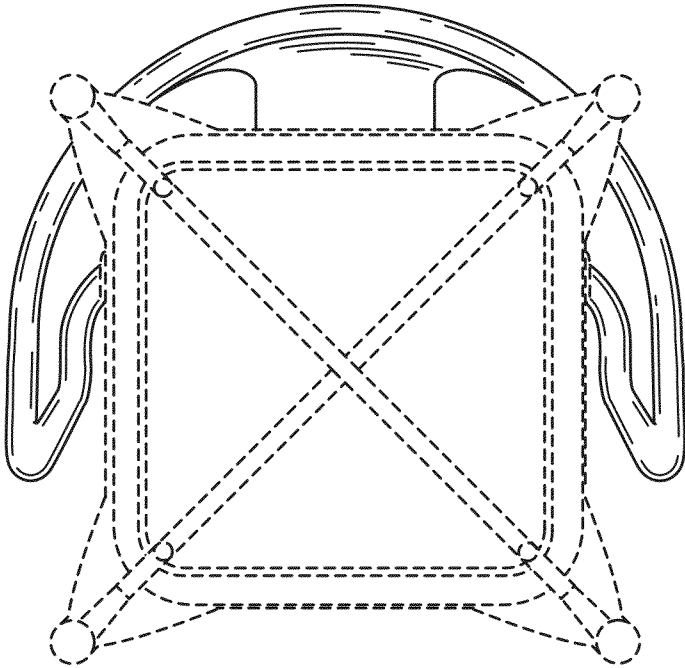


FIG. 7