

(19) World Intellectual Property Organization  
International Bureau



(43) International Publication Date  
4 January 2007 (04.01.2007)

PCT

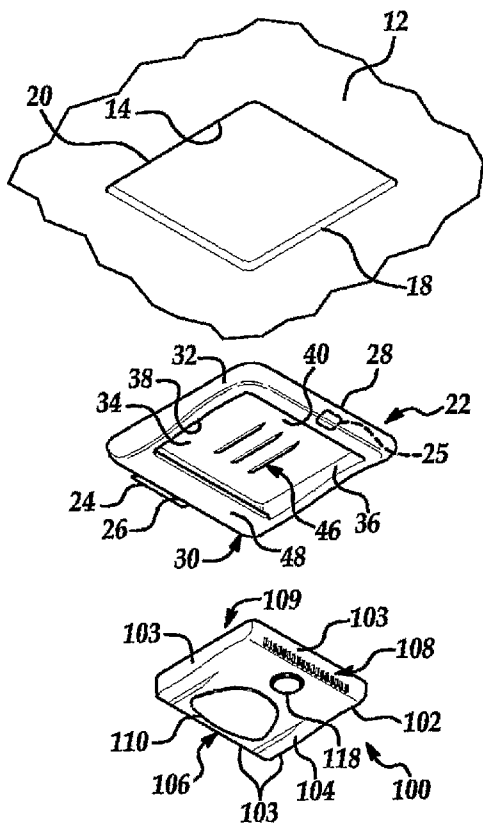
(10) International Publication Number  
**WO 2007/002730 A3**

- (51) **International Patent Classification:**  
*B60Q 1/00* (2006.01)      *B60Q 1/26* (2006.01)
- (21) **International Application Number:**  
PCT/US2006/025105
- (22) **International Filing Date:** 28 June 2006 (28.06.2006)
- (25) **Filing Language:** English
- (26) **Publication Language:** English
- (30) **Priority Data:**  
11/169,031      28 June 2005 (28.06.2005)      US
- (71) **Applicant (for all designated States except US):** FEDERAL-MOGUL CORPORATION [US/US]; 26555 Northwestern Highway, Southfield, MI 48034 (US).
- (72) **Inventors; and**
- (75) **Inventors/Applicants (for US only):** ENGLAND, Ricky [US/US]; 154 Hawthorne Road, Sparta, TN 38583 (US). ALTGILBERS, Alex [US/US]; 592 Turntable Road,

- Sparta, TN 38538 (US). **HALL, Philip** [US/US]; 706 West Oak Drive, Cookeville, TN 38501 (US).
- (74) **Agents:** ANDERSON, Edmund, P. et al.; DICKINSON WRIGHT PLLC, 38525 Woodward Avenue, Suite 2000, Bloomfield Hills, MI 48304-5092 (US).
- (81) **Designated States (unless otherwise indicated, for every kind of national protection available):** AE, AG, AL, AM, AT, AU, AZ, BA, BB, BG, BR, BW, BY, BZ, CA, CH, CN, CO, CR, CU, CZ, DE, DK, DM, DZ, EC, EE, EG, ES, FI, GB, GD, GE, GH, GM, HN, HR, HU, ID, IL, IN, IS, JP, KE, KG, KM, KN, KP, KR, KZ, LA, LC, LK, LR, LS, LT, LU, LV, LY, MA, MD, MG, MK, MN, MW, MX, MZ, NA, NG, NI, NO, NZ, OM, PG, PH, PL, PT, RO, RS, RU, SC, SD, SE, SG, SK, SL, SM, SY, TJ, TM, TN, TR, TT, TZ, UA, UG, US, UZ, VC, VN, ZA, ZM, ZW
- (84) **Designated States (unless otherwise indicated, for every kind of regional protection available):** ARIPO (BW, GH, GM, KE, LS, MW, MZ, NA, SD, SL, SZ, TZ, UG, ZM, ZW), Eurasian (AM, AZ, BY, KG, KZ, MD, RU, TJ, TM), European (AT, BE, BG, CH, CY, CZ, DE, DK, EE, ES, FI,

[Continued on next page]

(54) **Title:** INTERCHANGEABLE FLASHLIGHT-CARGO LAMP SYSTEM



(57) **Abstract:** An interchangeable flashlight-cargo lamp system includes a docking station that is suitable for mounting either a cargo lamp or a rechargeable flashlight. The flashlight doubles as a cargo lamp when mounted within the docking station. Both the cargo lamp and the flashlight have common mounting elements that mate with corresponding mounting features of the docking station to permit either device to be inserted into and removed from the docking station. The interchangeable devices also include electrical contacts that mate with corresponding electrical contacts in the docking station. The flashlight further includes a battery that is recharged when the flashlight is mounted in the docking station.

WO 2007/002730 A3



FR, GB, GR, HU, IE, IS, IT, LT, LU, LV, MC, NL, PL, PT, RO, SE, SI, SK, TR), OAPI (BF, BJ, CF, CG, CI, CM, GA, GN, GQ, GW, ML, MR, NE, SN, TD, TG).

*For two-letter codes and other abbreviations, refer to the "Guidance Notes on Codes and Abbreviations" appearing at the beginning of each regular issue of the PCT Gazette.*

**Published:**

- *with international search report*
- *before the expiration of the time limit for amending the claims and to be republished in the event of receipt of amendments*

**(88) Date of publication of the international search report:**

17 January 2008

## INTERNATIONAL SEARCH REPORT

International application No.

PCT/US06/25105

A. CLASSIFICATION OF SUBJECT MATTER		
IPC: B60Q 1/00( 2006.01),1/26( 2006.01)		
USPC: 362/490,488		
According to International Patent Classification (IPC) or to both national classification and IPC		
B. FIELDS SEARCHED		
Minimum documentation searched (classification system followed by classification symbols) U.S. : 362/490,488,486,200,183		
Documentation searched other than minimum documentation to the extent that such documents are included in the fields searched NONE		
Electronic data base consulted during the international search (name of data base and, where practicable, search terms used) NONE		
C. DOCUMENTS CONSIDERED TO BE RELEVANT		
Category *	Citation of document, with indication, where appropriate, of the relevant passages	Relevant to claim No.
X	US 6,746,140 B2 (ICHIKAWA et al.) 08 June 2004 (08.06.2004), see entire document.	1-24
A	US 6,902,284 B2 (HUTZEL et al.) 07 June 2005 (07.06.2005), see entire document.	1-24
A,P	US 2005/0258663 A1 (HUISINGH et al.) 24 November 2005 (24. 11.2005), see entire document.	1-24
A	US 5,808,373 A (HAMANISHI et al.) 15 September 1998 (15.09. 1998), see entire document.	1-24
A	US 6,231 ,219 B1 (LOHSS et al.) 15 May 2001 (15.05.2001), see entire document.	1-24
A	US 6,176,536 B1 (MILLER et al.) 23 January 2001 (23.01 .2001), see entire document.	1-24
<input type="checkbox"/> Further documents are listed in the continuation of Box C.		<input type="checkbox"/> See patent family annex.
* Special categories of cited documents :		"T" later document published after the international filing date or priority date and not in conflict with the application but cited to understand the principle or theory underlying the invention
"A" document defining the general state of the art which is not considered to be of particular relevance		"X" document of particular relevance; the claimed invention cannot be considered novel or cannot be considered to involve an inventive step when the document is taken alone
"E" earlier application or patent published on or after the international filing date		"Y" document of particular relevance; the claimed invention cannot be considered to involve an inventive step when the document is combined with one or more other such documents, such combination being obvious to a person skilled in the art
"L" document which may throw doubts on priority claim(s) or which is cited to establish the publication date of another citation or other special reason (as specified)		"&" document member of the same patent family
"O" document referring to an oral disclosure, use, exhibition or other means		
"P" document published prior to the international filing date but later than the priority date claimed		
Date of the actual completion of the international search	Date of mailing of the international search report	
16 November 2007 (16. 11.2007)	23 NOV 2007	
Name and mailing address of the ISA/US	Authorized officer	
Mail Stop PCT, Attn: ISA/US Commissioner for Patents P.O. Box 1450 Alexandria, Virginia 22313-1450	JOSE DEES <i>Sharon S. Hoffe</i>	
Facsimile No. (571) 273-3201	Telephone No. 571-272-1569	