

- [54] **CYCLIST'S VENTILATED HELMET**
- [75] **Inventor: Lester V. Broersma, Bellflower, Calif.**
- [73] **Assignee: Bell Bicycles Inc., Norwalk, Calif.**
- [\*\*] **Term: 14 Years**
- [21] **Appl. No.: 109,254**
- [22] **Filed: Oct. 16, 1987**
- [52] **U.S. Cl. .... D29/12**
- [58] **Field of Search ..... D29/10, 12-19; D2/244, 246; 2/410, 421; 423/425, 9, 10, 431**

3,082,428	3/1963	Zbikowski .....	2/3
3,310,811	3/1967	Iacono, Jr. ....	2/6
3,496,854	2/1970	Feldmann et al. ....	98/1
3,783,450	1/1974	O'Connor .....	2/3 R
3,873,997	4/1975	Gooding .....	2/3 R
3,925,821	12/1975	Lewicki .....	2/3 R
4,044,400	8/1977	Lewicki et al. ....	2/421
4,434,514	3/1984	Sundahl et al. ....	2/425
4,555,816	12/1985	Broersma .....	2/425
4,612,675	9/1986	Broersma .....	2/424
4,622,700	11/1986	Sundahl .....	2/425
4,627,115	12/1986	Broersma .....	2/425
4,653,123	3/1987	Broersma .....	2/425

- [56] **References Cited**
- U.S. PATENT DOCUMENTS**
- D. 265,520 7/1982 Gooding ..... D29/15
- D. 272,769 2/1984 Sundahl et al. .
- D. 272,770 2/1984 Sundahl et al. .... D29/14
- D. 285,980 10/1986 McNabb ..... D29/12
- D. 299,978 2/1989 Chiarella ..... D29/15
- D. 300,070 2/1989 Broersma ..... D29/15
- 935,556 9/1909 Smith .
- 1,347,046 7/1920 McDonough .
- 2,769,176 11/1956 Grancsay et al. .... 2/3
- 2,846,683 8/1958 Dye et al. .... 2/3
- 2,991,478 7/1961 Zbikowski ..... 2/3

*Primary Examiner*—A. Hugo Word  
*Assistant Examiner*—Ruth McInroy  
*Attorney, Agent, or Firm*—William W. Haefliger

[57] **CLAIM**

The ornamental design for a cyclist's ventilated helmet, as shown and described.

**DESCRIPTION**

FIG. 1 is a top plan view of a cyclist's ventilated helmet showing my new design;  
 FIG. 2 is a right side elevational view thereof, the left side being a mirror image;  
 FIG. 3 is a front elevational view thereof; and  
 FIG. 4 is a rear elevational view thereof.

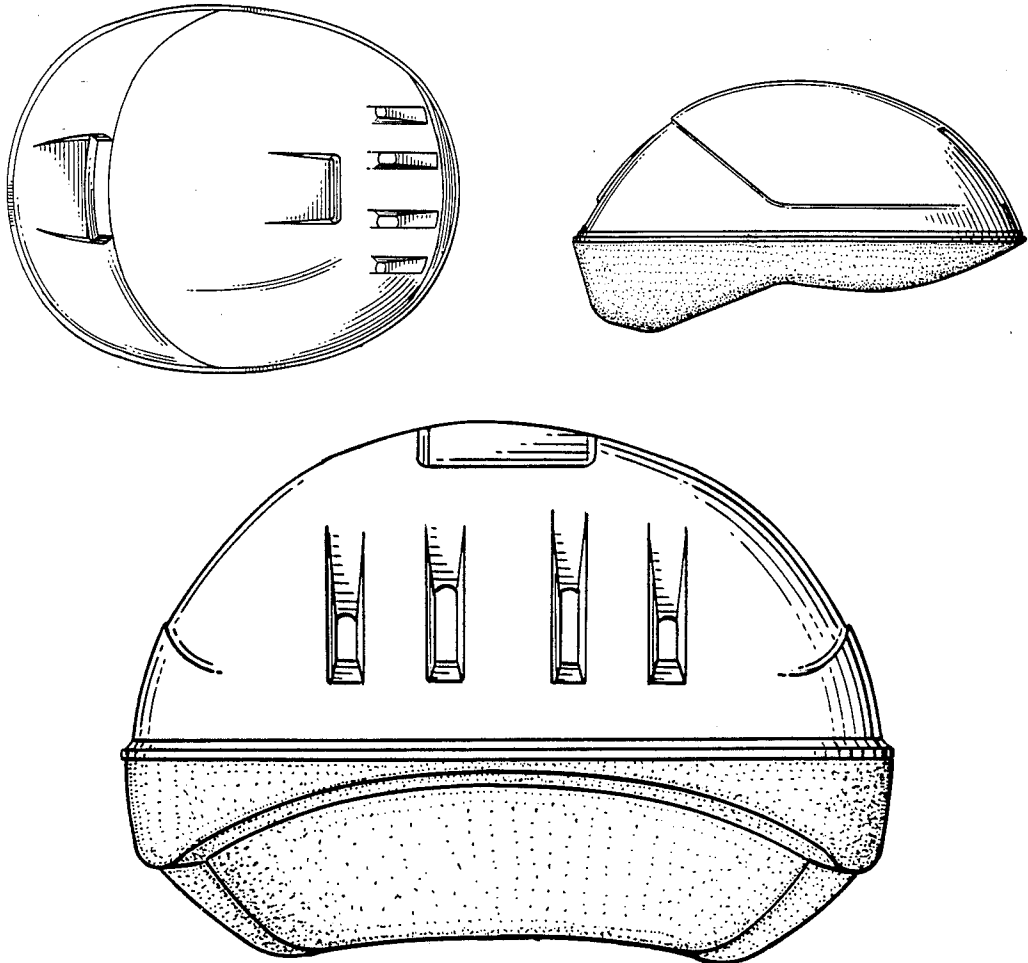


FIG. 1.

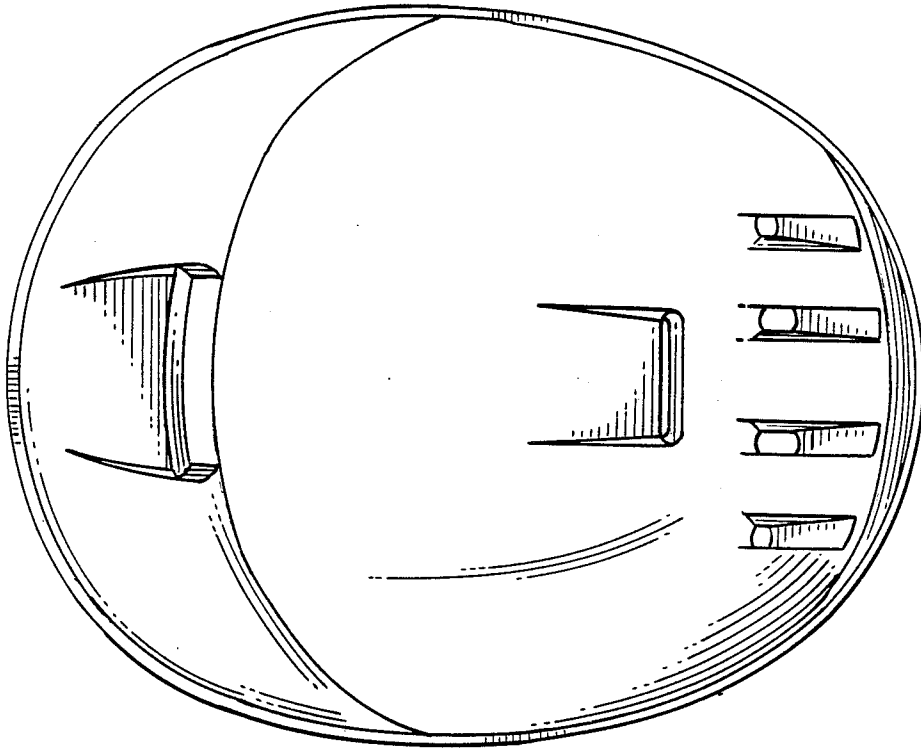


FIG. 2.

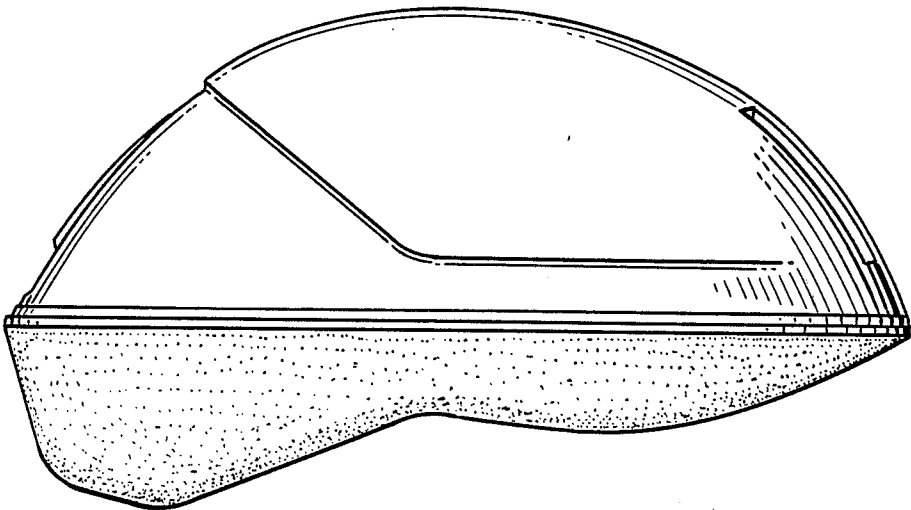


FIG. 3.

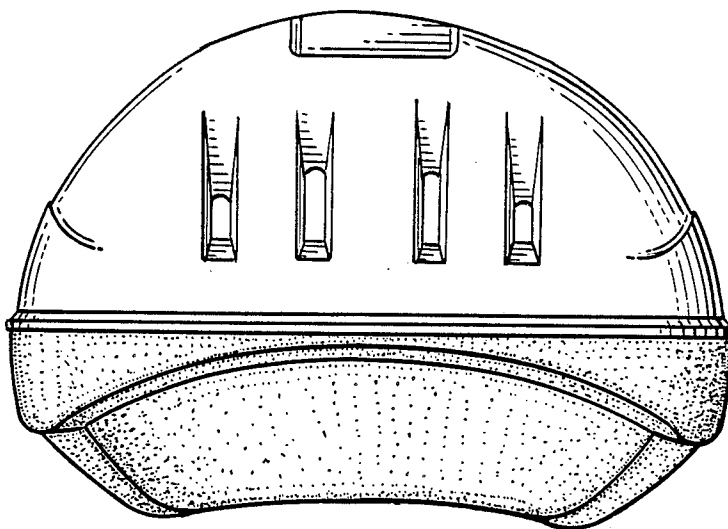


FIG. 4.

