



US00D724585S

(12) **United States Design Patent**  
**Choo et al.**

(10) **Patent No.:** **US D724,585 S**  
(45) **Date of Patent:** **\*\* Mar. 17, 2015**

(54) **HEAD MOUNTED DISPLAY DEVICE**

(71) Applicant: **LG Electronics Inc.**, Seoul (KR)

(72) Inventors: **Zhimin Choo**, Seoul (KR); **Sanghyuck Lee**, Seoul (KR); **Soonhyun Park**, Seoul (KR)

(73) Assignee: **LG Electronics Inc.**, Seoul (KR)

(\*\*) Term: **14 Years**

(21) Appl. No.: **29/499,898**

(22) Filed: **Aug. 20, 2014**

(30) **Foreign Application Priority Data**

Feb. 21, 2014 (KR) ..... 30-2014-0008944

(51) **LOC (10) Cl.** ..... **14-02**

(52) **U.S. Cl.**  
USPC ..... **D14/372**

(58) **Field of Classification Search**  
CPC ..... G02B 27/017; G02B 27/0158; G02B 27/0161; G02B 27/0181; G02B 27/0185; G02B 27/0189  
USPC ..... D14/372, 496, 432, 371, 125, 126, 129, D14/299; D16/300-342; 351/158, 153, 144; 345/7-9, 905; 455/344; 348/115, 53, 348/121, 739

See application file for complete search history.

(56) **References Cited**

**U.S. PATENT DOCUMENTS**

D334,557 S *	4/1993	Hunter et al.	.....	D14/372
D337,320 S *	7/1993	Hunter et al.	.....	D14/372
D402,651 S *	12/1998	Depay et al.	.....	D14/372
D436,960 S *	1/2001	Budd et al.	.....	D14/372
D533,893 S *	12/2006	Canavan et al.	.....	D16/330
D565,082 S *	3/2008	McClure et al.	.....	D16/309
D602,064 S *	10/2009	Mitsui et al.	.....	D16/300
D659,739 S *	5/2012	Olsson et al.	.....	D16/300

D659,740 S *	5/2012	Olsson et al.	.....	D16/300
D660,341 S *	5/2012	Olsson et al.	.....	D16/300
D662,964 S *	7/2012	Olsson et al.	.....	D16/300
D664,184 S *	7/2012	Olsson et al.	.....	D16/309
D664,586 S *	7/2012	Olsson	.....	D16/300
D665,008 S *	8/2012	Olsson et al.	.....	D16/309
D671,589 S *	11/2012	Olsson	.....	D16/300
D688,727 S *	8/2013	Olsson	.....	D16/300
D691,602 S *	10/2013	Sugihara et al.	.....	D14/300
D692,424 S *	10/2013	Pombo et al.	.....	D14/372
D696,712 S *	12/2013	Armstrong et al.	.....	D16/300
D697,962 S *	1/2014	Olsson	.....	D16/300
D701,506 S *	3/2014	Pombo	.....	D14/372
D703,724 S *	4/2014	Olsson	.....	D16/300
D708,181 S *	7/2014	Olsson et al.	.....	D14/372
D711,373 S *	8/2014	Lee et al.	.....	D14/372

(Continued)

*Primary Examiner* — Austin Murphy

(74) *Attorney, Agent, or Firm* — Morgan, Lewis & Bockius LLP

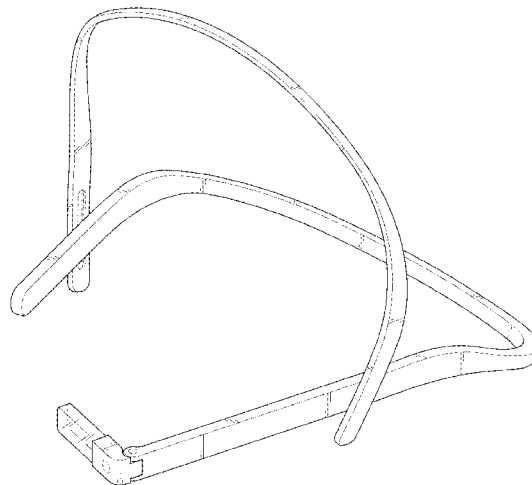
(57) **CLAIM**

The ornamental design for a head mounted display device, as shown and described.

**DESCRIPTION**

FIG. 1 is a perspective view of a head mounted display device showing our new design;  
 FIG. 2 is a front view thereof;  
 FIG. 3 is a rear view thereof;  
 FIG. 4 is a left side view thereof;  
 FIG. 5 is a right side view thereof;  
 FIG. 6 is a top plan view thereof;  
 FIG. 7 is a bottom plan view thereof;  
 FIG. 8 is a left side view thereof, showing the article in a position of use and with an alternate position shown in broken lines; and,  
 FIG. 9 is front view thereof showing a portion of the article as transparent.  
 The broken lines show unclaimed subject matter only and form no part of the claimed design.

**1 Claim, 9 Drawing Sheets**



US D724,585 S

Page 2

---

(56)

**References Cited**

D711,376 S \* 8/2014 Lee et al. .... D14/372  
D716,299 S \* 10/2014 Olsson et al. .... D14/372

U.S. PATENT DOCUMENTS

D711,375 S \* 8/2014 Lee et al. .... D14/372 \* cited by examiner

FIG. 1

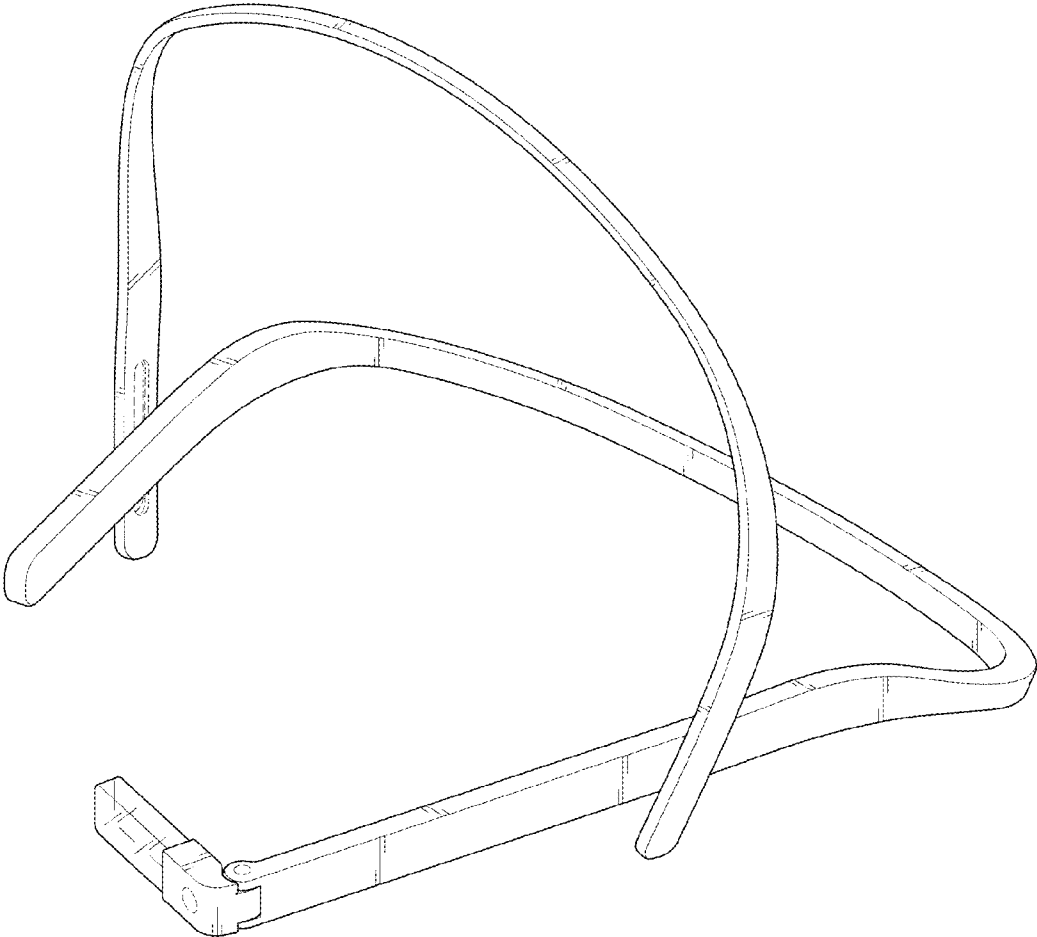


FIG. 2

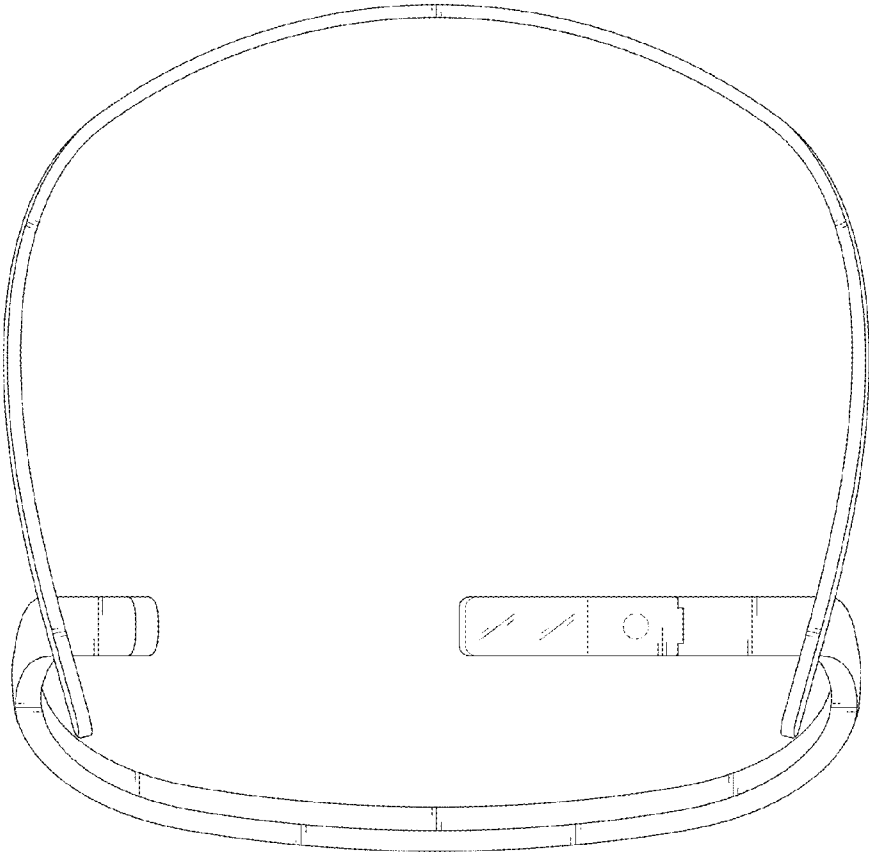


FIG. 3

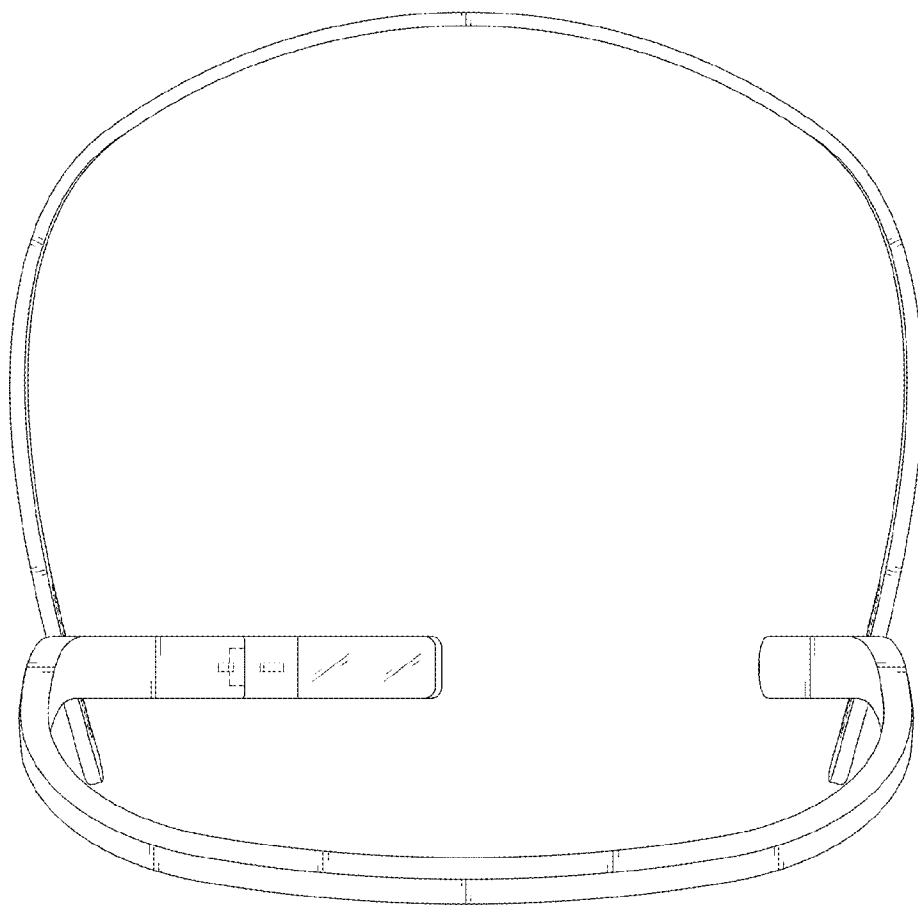


FIG. 4

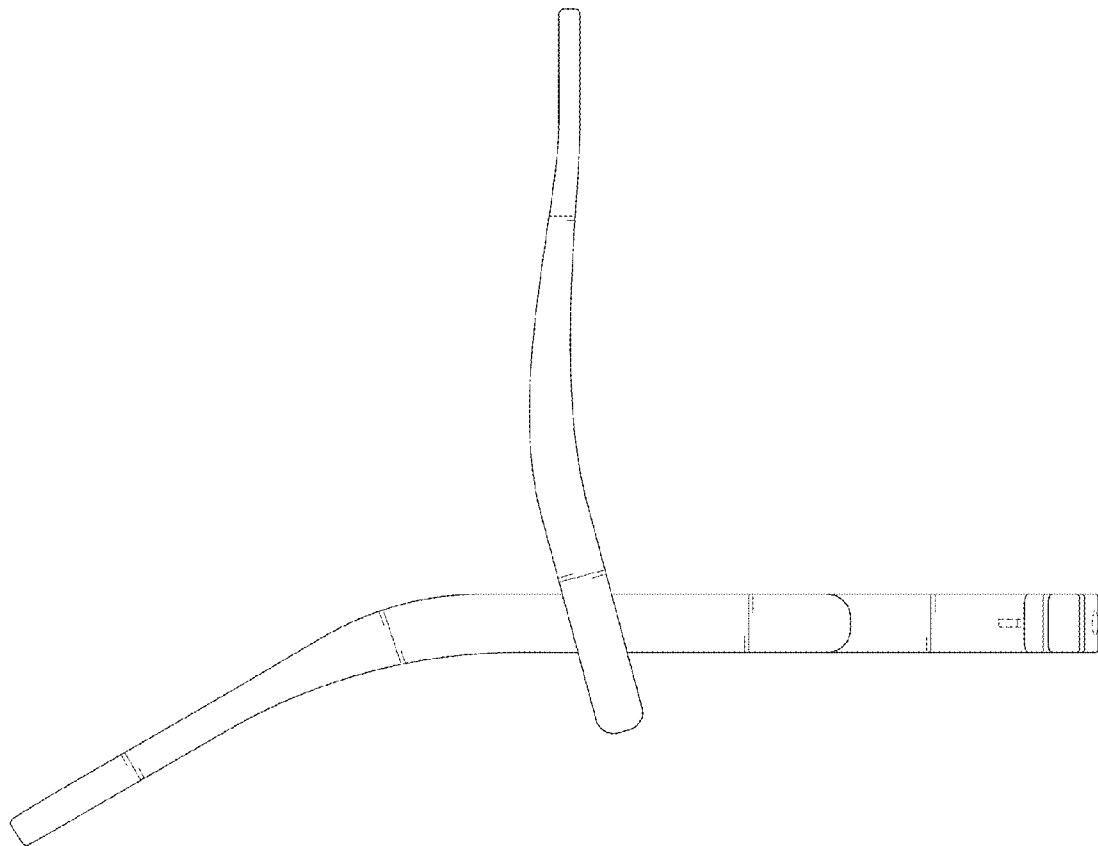


FIG. 5

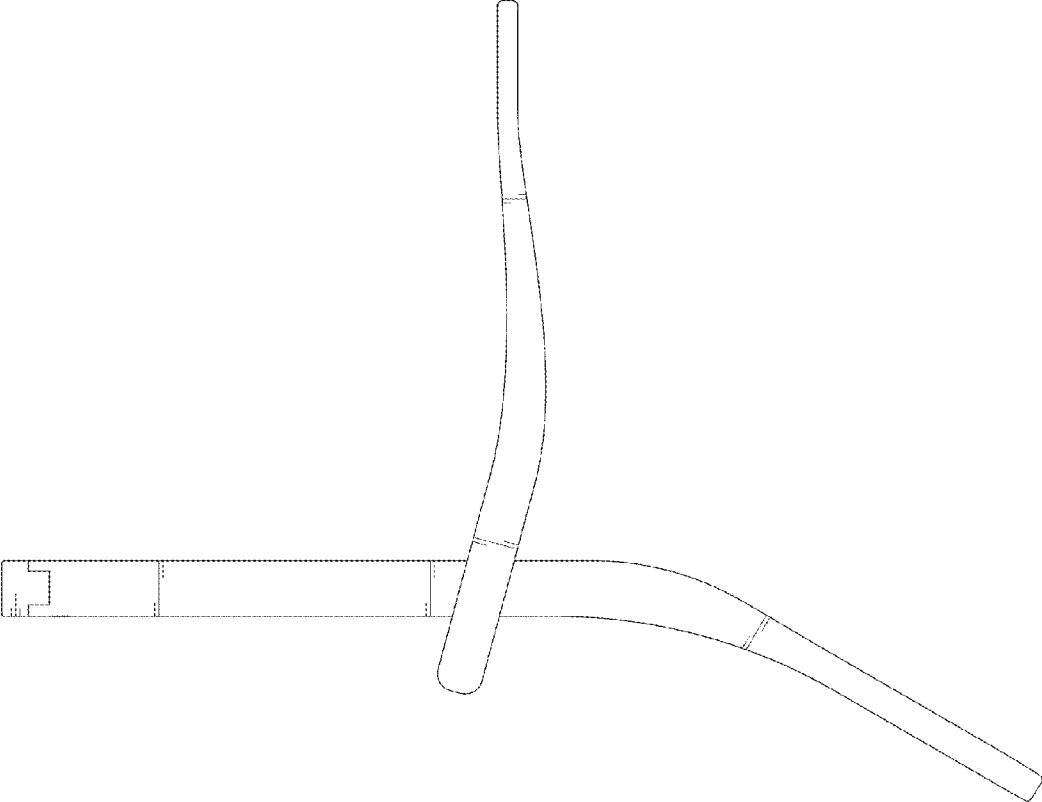


FIG. 6

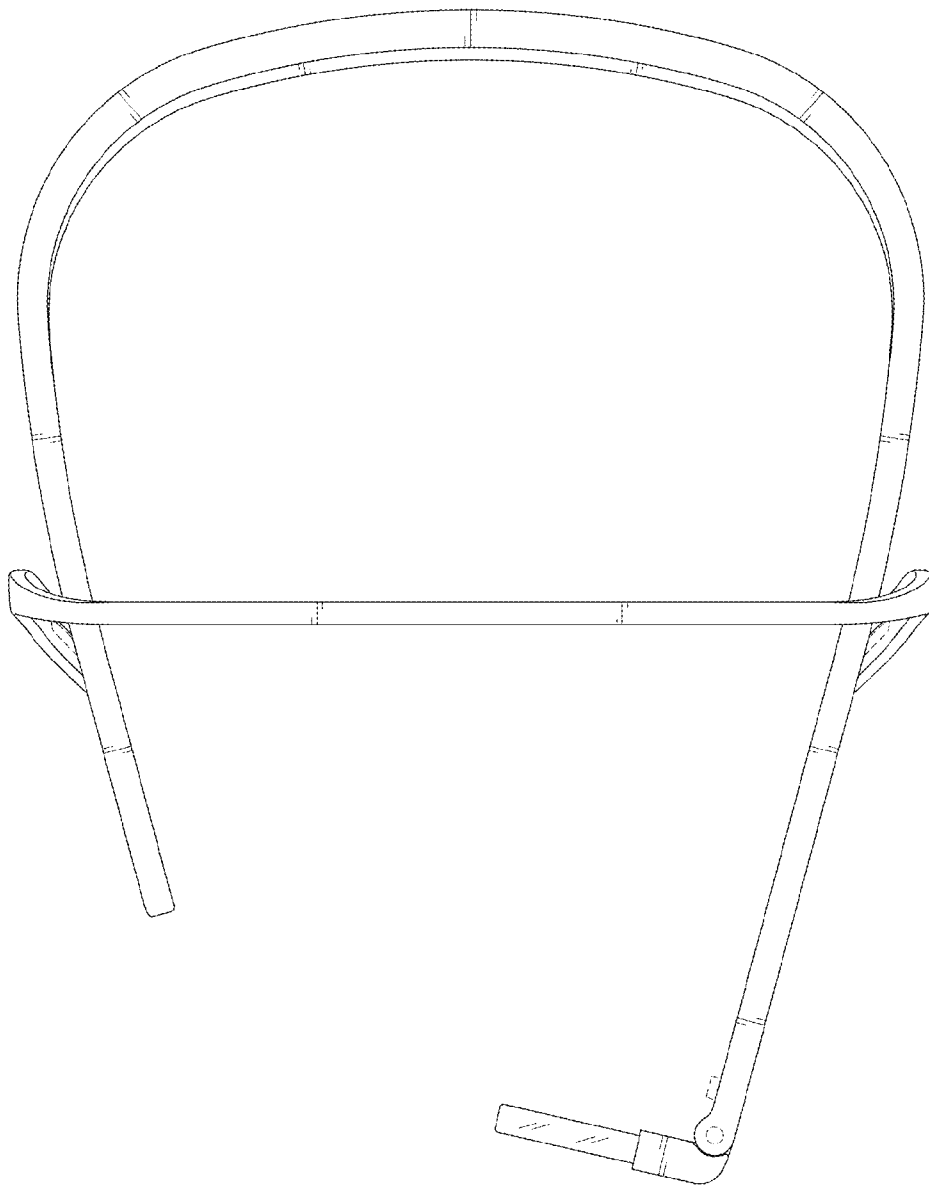




FIG. 7

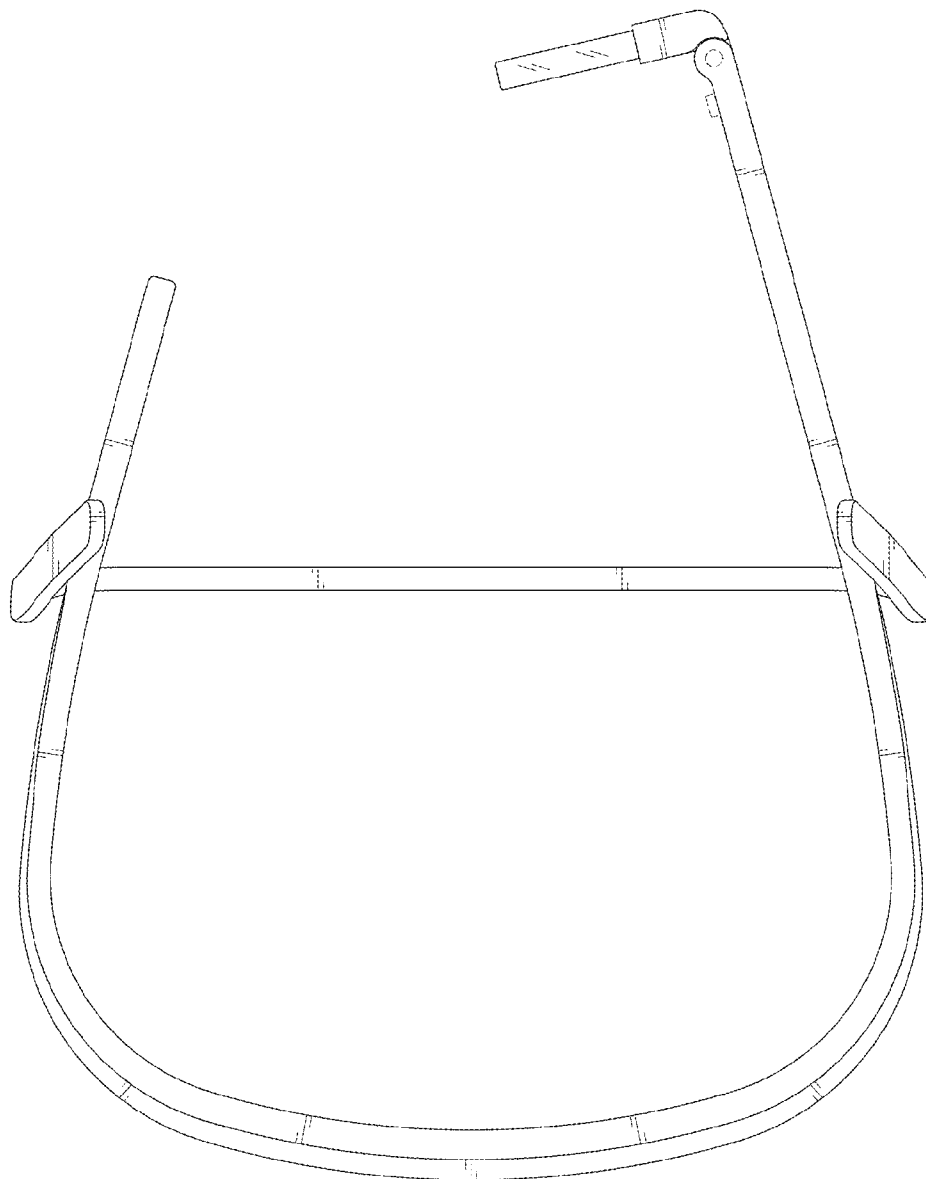


FIG. 8

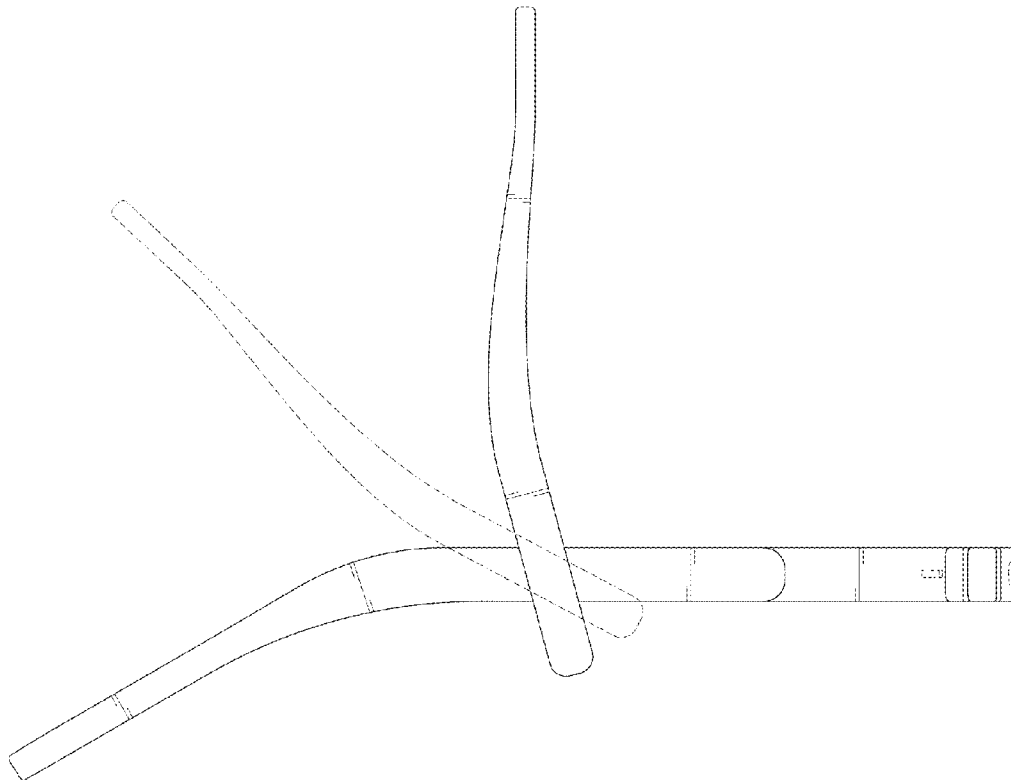


FIG. 9

