



US00D719284S

(12) **United States Design Patent**
Mizushiro et al.

(10) **Patent No.:** **US D719,284 S**

(45) **Date of Patent:** **** Dec. 9, 2014**

(54) **LIGHT GUIDE BODY FOR LIGHT EMITTING DIODE LAMP**

D610,274 S *	2/2010	Cho	D26/2
D611,172 S *	3/2010	Lin et al.	D26/3
D636,504 S *	4/2011	Duster	D26/3
D674,930 S *	1/2013	Zhang	D26/3

(71) Applicant: **Toyoda Gosei Co., Ltd.**, Kiyosu-shi, Aichi-ken (JP)

FOREIGN PATENT DOCUMENTS

(72) Inventors: **Tetsu Mizushiro**, Kiyosu (JP); **Yukihiko Umeda**, Kiyosu (JP)

JP 1388066 5/2010

* cited by examiner

(73) Assignee: **Toyoda Gosei Co., Ltd.**, Aichi-pref. (JP)

Primary Examiner — Marcus Jackson

(**) Term: **14 Years**

(74) *Attorney, Agent, or Firm* — Posz Law Group, PLC

(21) Appl. No.: **29/439,852**

(57) **CLAIM**

(22) Filed: **Dec. 17, 2012**

The ornamental design for a light guide body for a light emitting diode lamp, as shown and described.

(30) **Foreign Application Priority Data**

DESCRIPTION

Jun. 27, 2012 (JP) 2012-015263

(51) **LOC (10) Cl.** **26-04**

(52) **U.S. Cl.**
USPC **D26/3**

(58) **Field of Classification Search**
USPC D26/1-4; 313/313, 315, 316, 317, 318, 313/493; 315/52, 53, 56, 57, 58
See application file for complete search history.

FIG. 1 is a perspective view of a light guide body for a light emitting diode lamp showing our new design; FIG. 2 is a front view thereof; FIG. 3 is a top plan view thereof; FIG. 4 is a left side view thereof; and, FIG. 5 is an enlarged left side view thereof. Since a rear view is symmetrical to the front view thereof, the rear view is omitted. Since a bottom view is identical to the top plan view thereof, the bottom view is omitted. Since a right side view is identical to the left side view thereof, the right side view is omitted. The whole article is transparent.

(56) **References Cited**

U.S. PATENT DOCUMENTS

D506,274 S *	6/2005	Moriyama et al.	D26/3
D606,673 S *	12/2009	Kao	D26/3

1 Claim, 5 Drawing Sheets

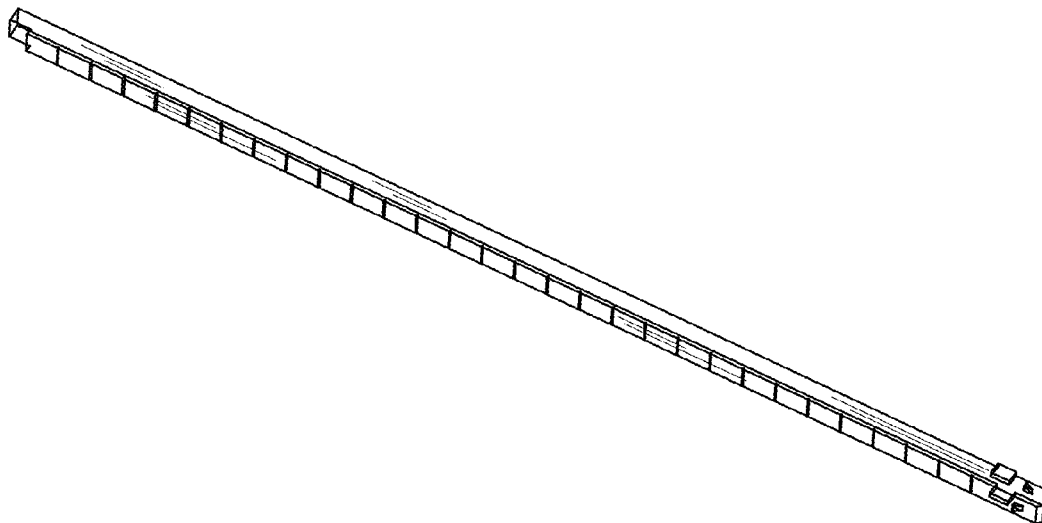


FIG. 1

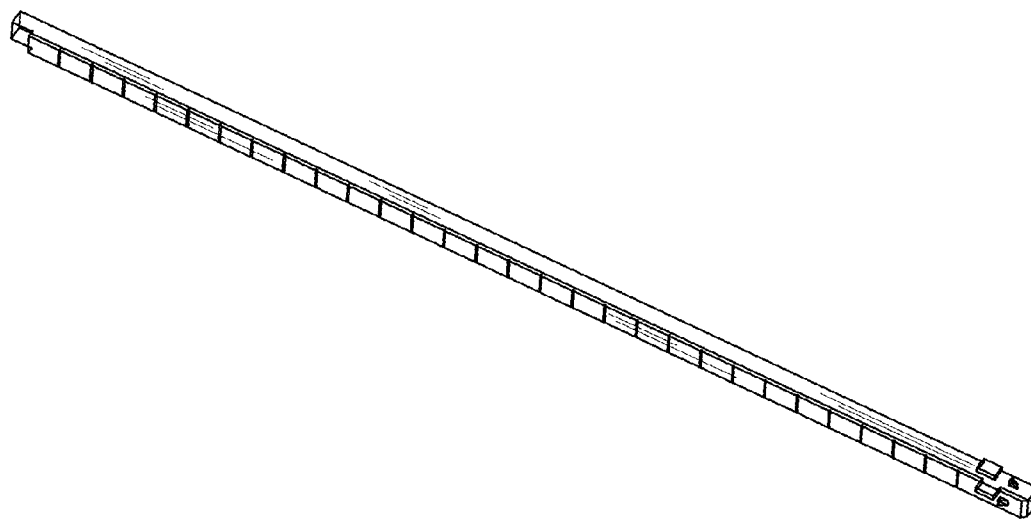
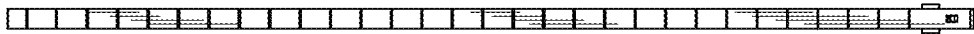


FIG. 2



FIG. 3



F I G. 4



FIG. 5

