



(12) **United States Design Patent**
Schultz

(10) **Patent No.:** **US D779,669 S**
(45) **Date of Patent:** **** Feb. 21, 2017**

- (54) **EAR CURETTE TIP**
- (76) Inventor: **Joseph P. Schultz**, Atlanta, GA (US)
- (**) Term: **14 Years**
- (21) Appl. No.: **29/379,528**
- (22) Filed: **Nov. 19, 2010**
- (51) **LOC (10) Cl.** **24-02**
- (52) **U.S. Cl.**
USPC **D24/146**
- (58) **Field of Classification Search**
USPC D24/147, 146, 133, 152; 606/160, 162,
606/161, 569, 570, 572, 573
CPC A61B 10/02; A61B 2010/0216; A61B
10/0291; A61B 17/50; A61B 17/24; A61F
11/006; A61F 11/00; A61F 11/06
See application file for complete search history.

6,270,510	B1 *	8/2001	Westendorf	606/162
D449,888	S *	10/2001	Huttner	D24/147
6,398,793	B1 *	6/2002	McGuire	606/131
D490,523	S *	5/2004	Samborski	D24/147
2003/0163150	A1 *	8/2003	Kim	606/162
2005/0070948	A1 *	3/2005	Kirsteins	606/189
2008/0313838	A1 *	12/2008	Nakatani	15/236.01
2010/0042122	A1 *	2/2010	Shaw, Jr.	606/162

* cited by examiner

Primary Examiner — Lakiya Rogers
Assistant Examiner — Carissa C Fitts
(74) *Attorney, Agent, or Firm* — Merchant & Gould P.C.

(57) **CLAIM**

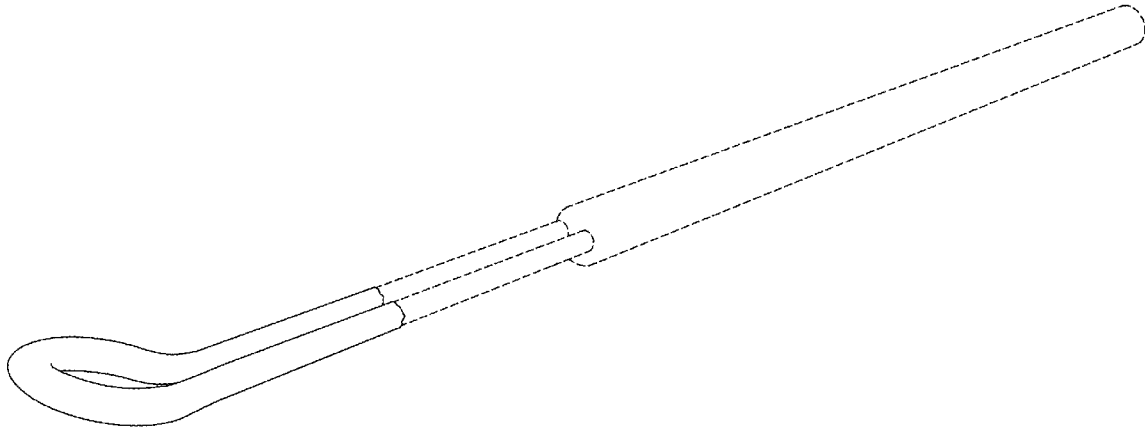
The ornamental design for an ear curette tip, as shown and described.

DESCRIPTION

FIG. 1 is a perspective view of an ear curette tip showing my new design;
FIG. 2 is a top view thereof;
FIG. 3 is a bottom view thereof;
FIG. 4 is a left side view thereof, the right side being a mirror image;
FIG. 5 is a front end view thereof; and,
FIG. 6 is a rear end view thereof.
The broken line depiction of environmental structure in the illustration of FIG. 1 is provided for illustrative purposes only and forms no part of the claimed design.

1 Claim, 2 Drawing Sheets

- (56) **References Cited**
U.S. PATENT DOCUMENTS
- | | | | | | |
|-----------|-----|--------|----------------|-------|-----------|
| 147,660 | A * | 2/1874 | Leiner | | 606/162 |
| 3,635,222 | A * | 1/1972 | Robinson | | 606/160 |
| 4,044,770 | A * | 8/1977 | Ocel et al. | | 606/161 |
| 4,892,831 | A * | 1/1990 | Wong | | 435/309.3 |
| D381,426 | S * | 7/1997 | Koros et al. | | D24/147 |
| D393,312 | S * | 4/1998 | Huttner | | D24/147 |
| D420,133 | S * | 2/2000 | Huttner | | D24/147 |
| D423,669 | S * | 4/2000 | Huttner et al. | | D24/147 |
| D428,489 | S * | 7/2000 | Huttner et al. | | D24/147 |
| D445,503 | S * | 7/2001 | Huttner | | D24/146 |
| D447,237 | S * | 8/2001 | Huttner et al. | | D24/147 |



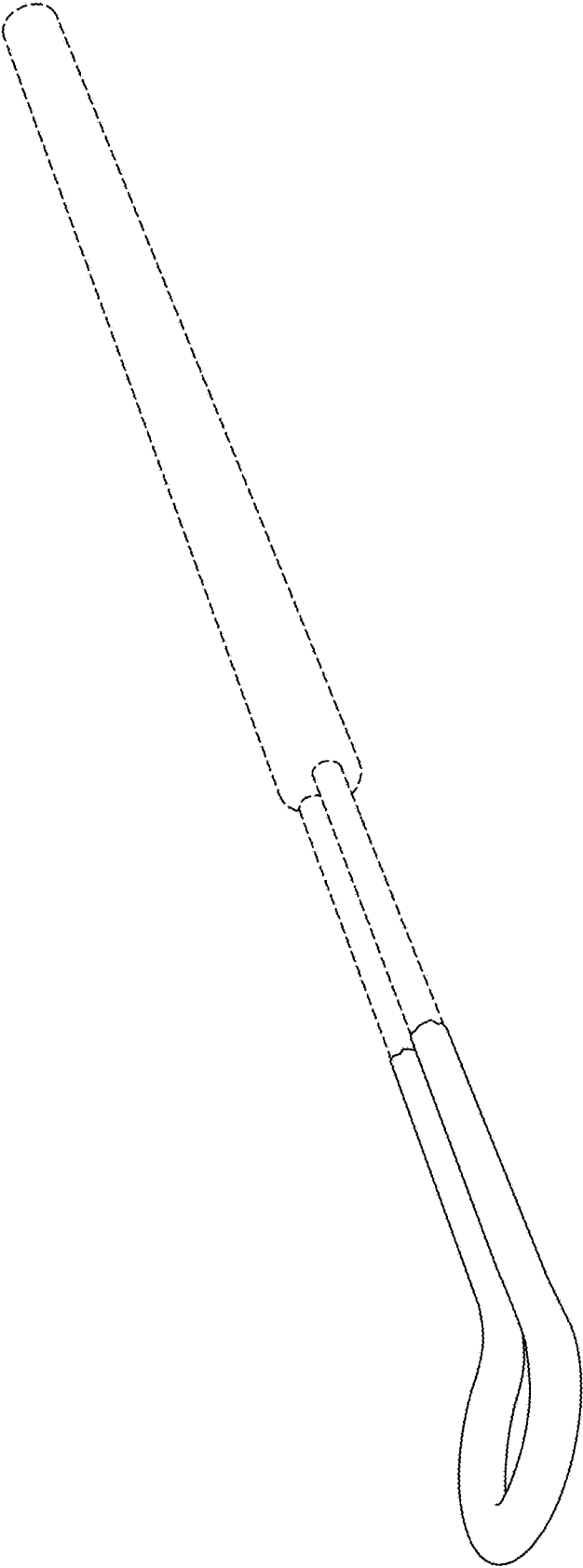


FIG. 1

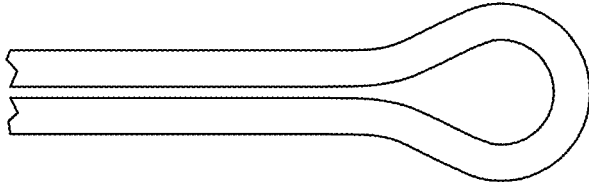


FIG. 2

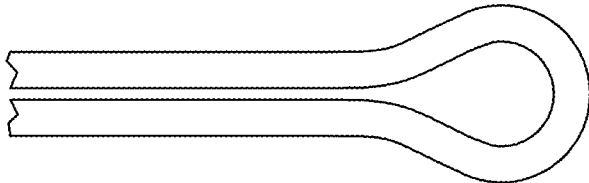


FIG. 3



FIG. 4



FIG. 5

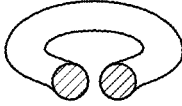


FIG. 6