



US00D655372S

(12) **United States Design Patent**  
**Kimball et al.**

(10) **Patent No.:** **US D655,372 S**

(45) **Date of Patent:** **\*\* \*Mar. 6, 2012**

(54) **FLUID TANK**

(75) Inventors: **Kyle J. Kimball**, Maple Valley, WA (US); **Trevor Lokie**, Plano, TX (US); **Brandon Crim**, Flower Mound, TX (US); **John Dollar**, Arlington, TX (US); **Philip J. Hall**, Denton, TX (US)

(73) Assignee: **PACCAR Inc**, Bellevue, WA (US)

(\* ) Notice: This patent is subject to a terminal disclaimer.

(\*\*) Term: **14 Years**

(21) Appl. No.: **29/388,495**

(22) Filed: **Mar. 29, 2011**

(51) **LOC (9) Cl.** ..... **23-01**

(52) **U.S. Cl.** ..... **D23/202**

(58) **Field of Classification Search** ..... D23/202-206; 220/565, 567.1, 586-587, 581, 562

See application file for complete search history.

(56) **References Cited**

U.S. PATENT DOCUMENTS

D196,272	S	*	9/1963	Gran	.....	D23/202
D214,435	S	*	6/1969	Naeve	.....	D12/218
D233,752	S	*	11/1974	Scheffler	.....	D23/205
D270,856	S	*	10/1983	Peets et al.	.....	D23/202
D293,705	S	*	1/1988	Sayward	.....	D23/202
D307,731	S		5/1990	Kerney		
D344,571	S	*	2/1994	Peasley	.....	D23/202
D358,194	S	*	5/1995	Schroeder	.....	D23/202
D386,240	S	*	11/1997	Howseman, Jr.	.....	D23/202
5,975,330	A	*	11/1999	Sasaki et al.	.....	220/495.01
6,381,823	BI	*	5/2002	Krejci	.....	29/416
D514,192	S	*	1/2006	Stoner	.....	D23/202
D527,789	S	*	9/2006	Thompson et al.	.....	D23/202

7,455,190	B2	*	11/2008	Potter et al.	.....	220/4.14
D603,932	S	*	11/2009	Natgrass et al.	.....	D23/202
D612,448	S	*	3/2010	Richardson	.....	D23/202
D628,672	S	*	12/2010	Kendall et al.	.....	D23/202

OTHER PUBLICATIONS

“Class Pays,” Peterbilt Motors Company, Denton, Texas, Sep. 1997, 10-page brochure.  
“Class Pays, Medium Duty,” Peterbilt Motors Company, Denton, Texas, Sep. 2000, 12-page brochure.  
“Model 362,” Peterbilt Motors Company, Newark, California, 1985, 8-page brochure.

(Continued)

Primary Examiner — Robin V Webster

(74) Attorney, Agent, or Firm — Christensen O’Connor Johnson Kindness PLLC

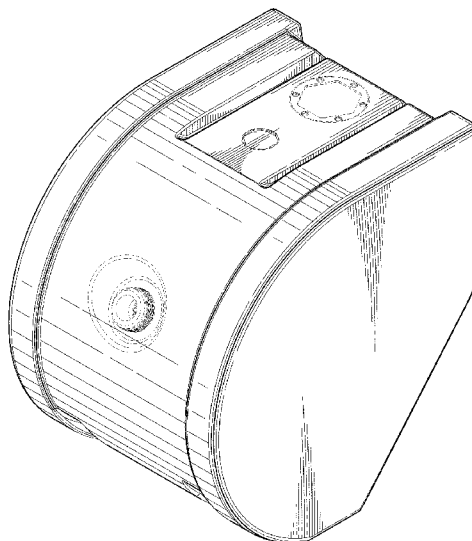
(57) **CLAIM**

The ornamental design for a fluid tank, as shown and described.

**DESCRIPTION**

FIG. 1 is a front perspective view of a fluid tank according to our new design;  
FIG. 2 is a rear perspective view of a fluid tank according to our new design;  
FIG. 3 is a top view of the fluid tank of FIG. 1;  
FIG. 4 is a bottom view of the fluid tank of FIG. 1;  
FIG. 5 is a front view of the fluid tank of FIG. 1;  
FIG. 6 is a rear view of the fluid tank of FIG. 1;  
FIG. 7 is a side view of the fluid tank taken from the left side of FIG. 1; and,  
FIG. 8 is a side view of the fluid tank taken from the right side of FIG. 1.  
The broken lines shown in FIGS. 1, 3, and 5 form no part of the claimed design.

**1 Claim, 5 Drawing Sheets**



# US D655,372 S

Page 2

---

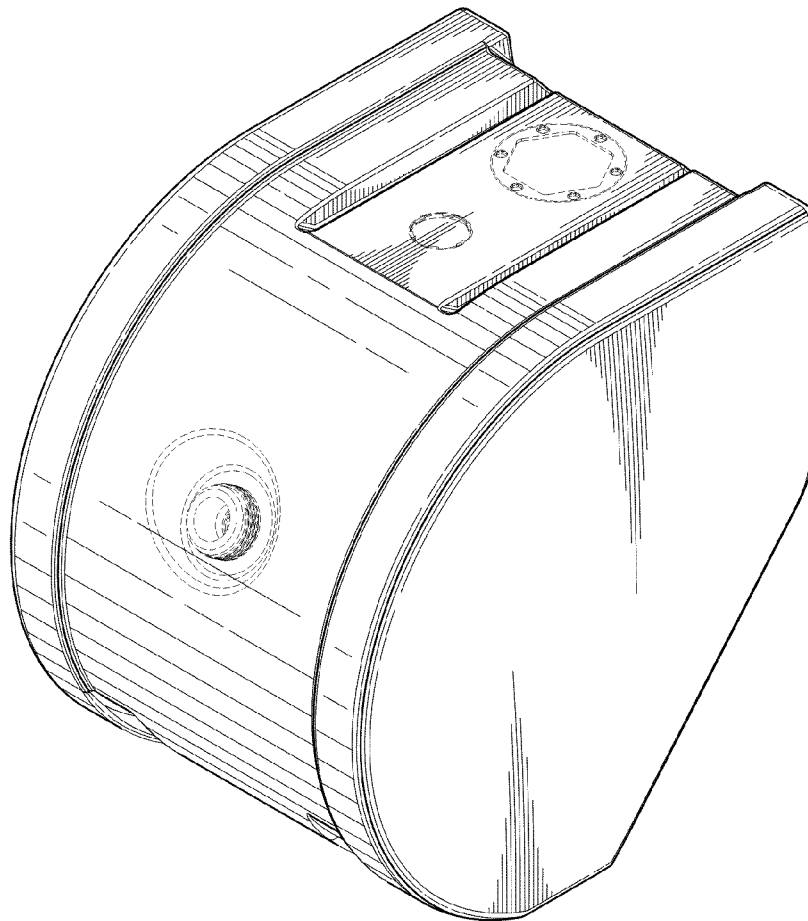
## OTHER PUBLICATIONS

“Model 378,” Peterbilt Motors Company, Denton, Texas, Mar. 1998,  
3-page brochure.

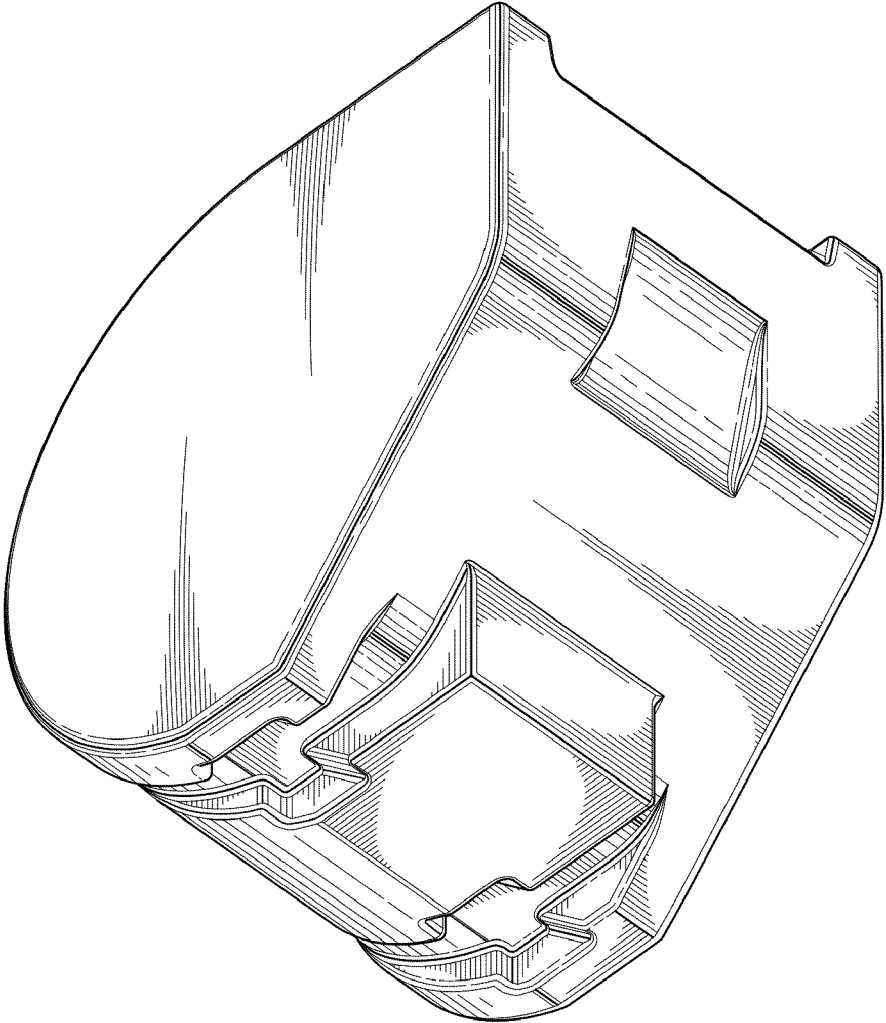
“T600A,” Kenworth Truck Company, Kirkland, Washington, 1985,  
10-page brochure.

“W900L Aero Cab,” Kenworth Truck Company, Kirkland, Washing-  
ton, 1994, 2-page brochure.

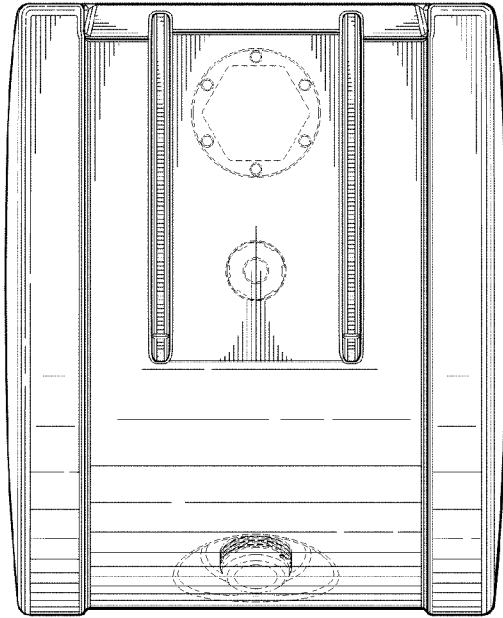
\* cited by examiner



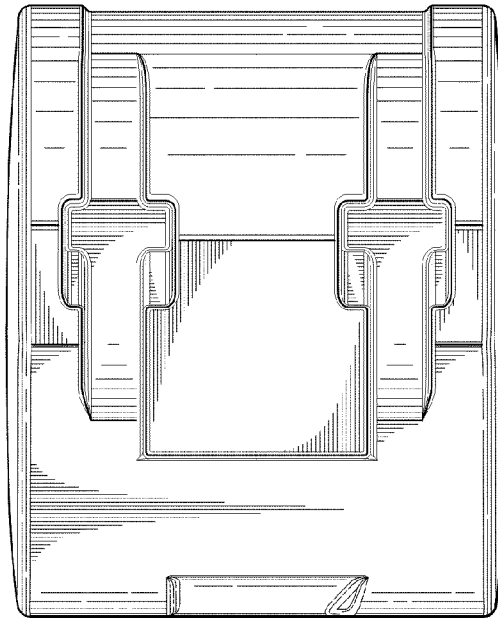
*Fig. 1.*



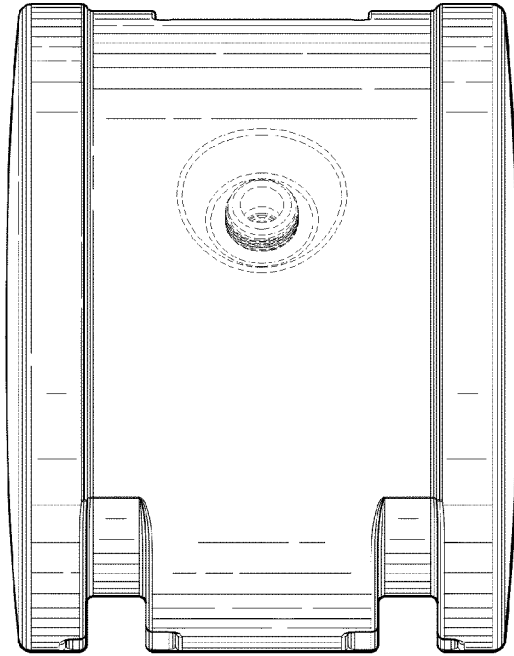
*Fig. 2.*



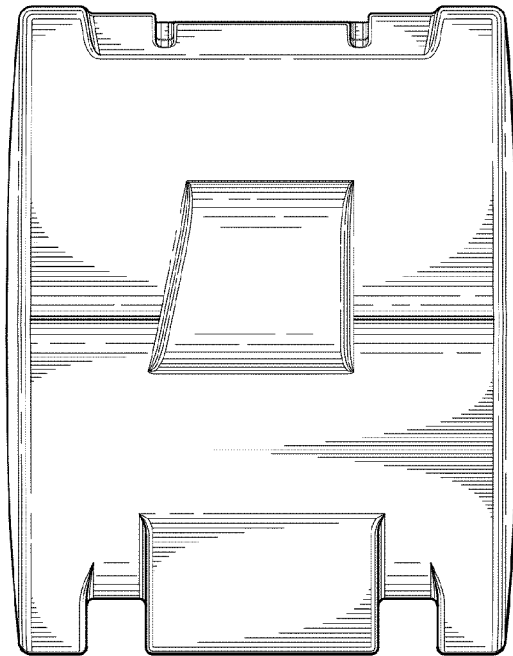
*Fig. 3.*



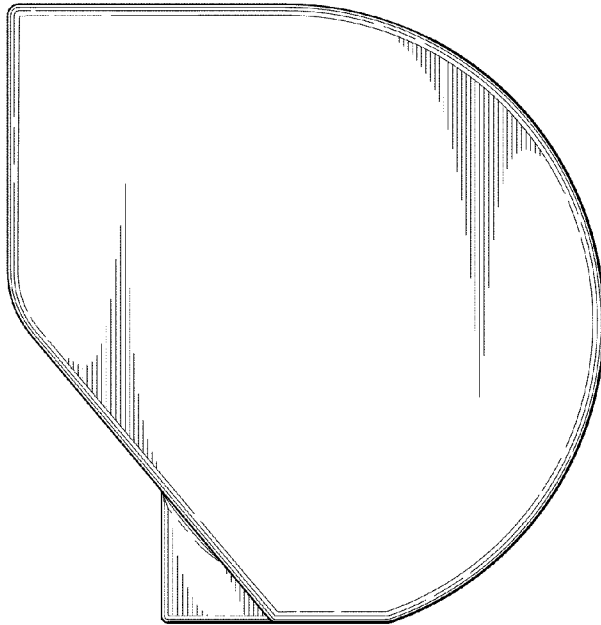
*Fig. 4.*



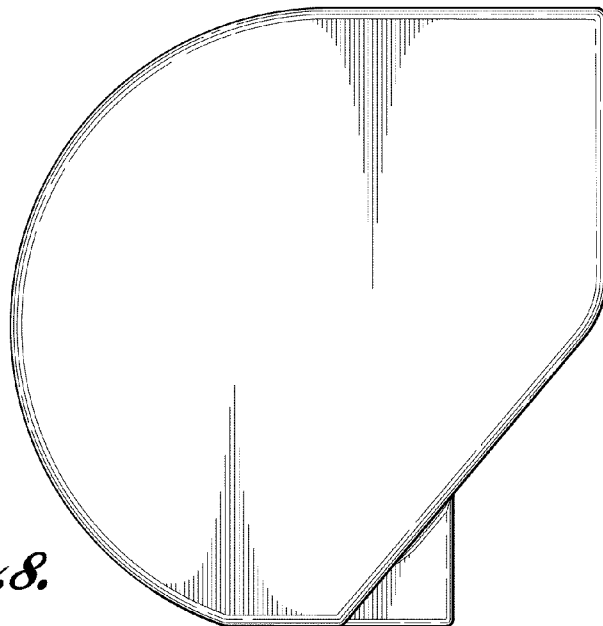
*Fig. 5.*



*Fig. 6.*



*Fig. 7.*



*Fig. 8.*