

(19) World Intellectual Property Organization
International Bureau



(43) International Publication Date
8 February 2001 (08.02.2001)

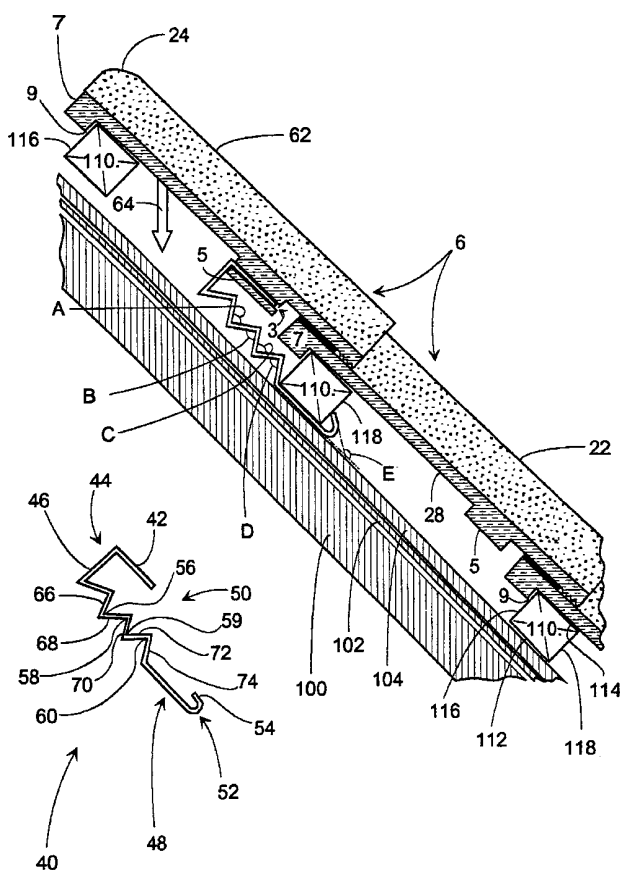
PCT

(10) International Publication Number
WO 01/09457 A3

- (51) International Patent Classification⁷: E04D 1/34
 - (21) International Application Number: PCT/DK00/00434
 - (22) International Filing Date: 3 August 2000 (03.08.2000)
 - (25) Filing Language: Danish
 - (26) Publication Language: English
 - (30) Priority Data:
PA 1999 01085 3 August 1999 (03.08.1999) DK
 - (71) Applicant and
(72) Inventor: JENSEN, Victor, Sonne [DK/DK]; Bakken 14, Ulbjerg, DK-8832 Skals (DK).
 - (74) Agent: K. SKØTT-JENSEN PATENTINGENIØRER A/S; Lemmingvej 225, DK-8361 Hasselager (DK).
 - (81) Designated States (*national*): AE, AG, AL, AM, AT, AT (utility model), AU, AZ, BA, BB, BG, BR, BY, BZ, CA, CH, CN, CR, CU, CZ, CZ (utility model), DE, DE (utility model), DK, DK (utility model), DM, DZ, EE, EE (utility model), ES, FI, FI (utility model), GB, GD, GE, GH, GM, HR, HU, ID, IL, IN, IS, JP, KE, KG, KP, KR, KZ, LC, LK, LR, LS, LT, LU, LV, MA, MD, MG, MK, MN, MW, MX, MZ, NO, NZ, PL, PT, RO, RU, SD, SE, SG, SI, SK, SK (utility model), SL, TJ, TM, TR, TT, TZ, UA, UG, US, UZ, VN, YU, ZA, ZW.
 - (84) Designated States (*regional*): ARIPO patent (GH, GM, KE, LS, MW, MZ, SD, SL, SZ, TZ, UG, ZW), Eurasian patent (AM, AZ, BY, KG, KZ, MD, RU, TJ, TM), European patent (AT, BE, CH, CY, DE, DK, ES, FI, FR, GB, GR, IE, IT, LU, MC, NL, PT, SE), OAPI patent (BF, BJ, CF, CG, CI, CM, GA, GN, GW, ML, MR, NE, SN, TD, TG).
- (74) Agent: K. SKØTT-JENSEN PATENTINGENIØRER A/S; Lemmingvej 225, DK-8361 Hasselager (DK). **Published:**
— with international search report

[Continued on next page]

(54) Title: METHOD AND BINDER FOR LAYING AND ANCHORING PANTILES ON ROOF CONSTRUCTIONS COMPRISING SUB ROOF



(57) Abstract: The known roof-tile binders (2) for use in the laying of tiles on roof constructions with sub roof (102) are very sensitive to incorrectly-selected rafter dimensions. When the tile binder is mounted, this can give rise to the tile being exposed to an undesired, outwards-directed force (26) at the upper end (24) of the tile. To remedy this disadvantage, a method and a tile binder (40) are disclosed whereby the insertion part (42) is inserted from the upper end of the boss (5), and where the binder (40) comprises an elasticity-providing part (50) and a gripping end part (52) with an obtuse, projecting end (54) which engages with the underside (118) of the rafter (110) at the foot of the tile, followed by a tensioning of the elasticity-providing part (50) during displacement of the tile (6) with the laying boss (7) sliding on the rafter (110) until the underside (28) of the tile is in abutment with the rafter, with the back (9) of the laying boss (7) in abutment with the upper side (116) of the rafter. It is hereby achieved that regardless of incorrectly-dimensioned rafters (110), there is always a downwards-directed force on the tile (6).

WO 01/09457 A3



(88) Date of publication of the international search report:
9 August 2001

For two-letter codes and other abbreviations, refer to the "Guidance Notes on Codes and Abbreviations" appearing at the beginning of each regular issue of the PCT Gazette.

INTERNATIONAL SEARCH REPORT

International Application No

PCT/DK 00/00434

A. CLASSIFICATION OF SUBJECT MATTER
IPC 7 E04D1/34

According to International Patent Classification (IPC) or to both national classification and IPC

B. FIELDS SEARCHED

Minimum documentation searched (classification system followed by classification symbols)
IPC 7 E04D

Documentation searched other than minimum documentation to the extent that such documents are included in the fields searched

Electronic data base consulted during the international search (name of data base and, where practical, search terms used)
EPO-Internal, WPI Data

C. DOCUMENTS CONSIDERED TO BE RELEVANT

Category °	Citation of document, with indication, where appropriate, of the relevant passages	Relevant to claim No.
X	DK 25 298 C (C NIELSEN) 8 December 1919 (1919-12-08) the whole document ---	1-13
A	DE 148 026 C (H MARTINI) 8 February 1904 (1904-02-08) the whole document ---	1-13
A	FR 33 862 E (L PAOLASSO) 26 March 1929 (1929-03-26) the whole document ---	1-13
A	DE 33 33 937 A (MIDTJYSK MURBINDERFARBIK A/S) 4 April 1985 (1985-04-04) the whole document ---	1-13
	-/--	

Further documents are listed in the continuation of box C.

Patent family members are listed in annex.

° Special categories of cited documents :

- "A" document defining the general state of the art which is not considered to be of particular relevance
- "E" earlier document but published on or after the international filing date
- "L" document which may throw doubts on priority claim(s) or which is cited to establish the publication date of another citation or other special reason (as specified)
- "O" document referring to an oral disclosure, use, exhibition or other means
- "P" document published prior to the international filing date but later than the priority date claimed

- "T" later document published after the international filing date or priority date and not in conflict with the application but cited to understand the principle or theory underlying the invention
- "X" document of particular relevance; the claimed invention cannot be considered novel or cannot be considered to involve an inventive step when the document is taken alone
- "Y" document of particular relevance; the claimed invention cannot be considered to involve an inventive step when the document is combined with one or more other such documents, such combination being obvious to a person skilled in the art.
- "&" document member of the same patent family

Date of the actual completion of the international search

2 November 2000

Date of mailing of the international search report

09 02 2001

Name and mailing address of the ISA

European Patent Office, P.B. 5818 Patentlaan 2
NL - 2280 HV Rijswijk
Tel. (+31-70) 340-2040, Tx. 31 651 epo nl,
Fax: (+31-70) 340-3016

Authorized officer

Anna Sandberg

INTERNATIONAL SEARCH REPORT

International Application No

PCT/DK 00/00434

C.(Continuation) DOCUMENTS CONSIDERED TO BE RELEVANT

Category °	Citation of document, with indication, where appropriate, of the relevant passages	Relevant to claim No.
A	SE 53 556 C (K A F NYSTROM) 3 July 1922 (1922-07-03) the whole document -----	1-13

INTERNATIONAL SEARCH REPORT

Information on patent family members

International Application No

PCT/DK 00/00434

Patent document cited in search report	Publication date	Patent family member(s)	Publication date
DK 25298	C	NONE	
DE 148026	C	NONE	
FR 33862	E	FR 634547 A	25-03-1929 / 20-02-1928
DE 3333937	A	NONE	04-04-1985
SE 53556	C	NONE	