



US00D990747S

(12) **United States Design Patent**  
**Browning**

(10) **Patent No.:** **US D990,747 S**

(45) **Date of Patent:** **\*\* Jun. 27, 2023**

(54) **LAMP**

FOREIGN PATENT DOCUMENTS

(71) Applicant: **RH US, LLC**, Corte Madera, CA (US)

GB 6096443 \* 7/2020  
GB 6096449 \* 7/2020

(72) Inventor: **John Richard Browning**, San Francisco, CA (US)

OTHER PUBLICATIONS

(73) Assignee: **RH US, LLC**, Corte Madera, CA (US)

Glass Wall Light, posted at Amazon, date first available Jan. 25, 2018. Site visited Mar. 20, 2023 Available from internet, URL: [https://www.amazon.com/dp/B079BK2DQP?ref=cm\\_sw\\_r\\_cp\\_ud\\_dp\\_WWD6QCNRM3J61DN8B7Z7&th=1](https://www.amazon.com/dp/B079BK2DQP?ref=cm_sw_r_cp_ud_dp_WWD6QCNRM3J61DN8B7Z7&th=1). (Year: 2018).\*

(\*\*) Term: **15 Years**

(Continued)

(21) Appl. No.: **29/760,964**

(22) Filed: **Dec. 4, 2020**

*Primary Examiner* — Samantha Wood

*Assistant Examiner* — Vanessa Martinez

(51) **LOC (14) Cl.** ..... **26-05**

(74) *Attorney, Agent, or Firm* — Lewis Roca Rothgerber Christie LLP

(52) **U.S. Cl.**

(57)

**CLAIM**

USPC ..... **D26/85**

The ornamental design for a lamp, as shown and described.

(58) **Field of Classification Search**

**DESCRIPTION**

USPC ..... D26/24, 51, 60, 64–66, 72, 73, 81–88, D26/92, 93, 104, 105, 110, 112  
CPC ..... F21S 8/00; F21S 8/03; F21S 8/033; F21S 8/036; F21S 13/00; F21S 13/02; F21S 13/14; F21W 2131/10; F21W 2131/107; F21W 2131/109

FIG. 1 is a perspective view of a first embodiment of a lamp showing my new design;

FIG. 2 is a top plan view thereof, the bottom plan view being a mirror image;

FIG. 3 is a front view thereof;

FIG. 4 is a right side view thereof, the left side view being a mirror image;

FIG. 5 is a perspective view of a second embodiment of a lamp showing my new design;

FIG. 6 is a top plan view thereof, the bottom plan view being a mirror image;

FIG. 7 is a front view thereof; and,

FIG. 8 is a right side view thereof, the left side view being a mirror image.

FIGS. 5-7 include break lines and those portions of the article between the break lines form no part of the claimed design. The short broken lines represent environmental subject matter and form no part of the claimed design.

See application file for complete search history.

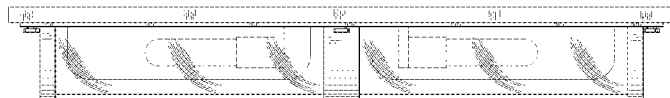
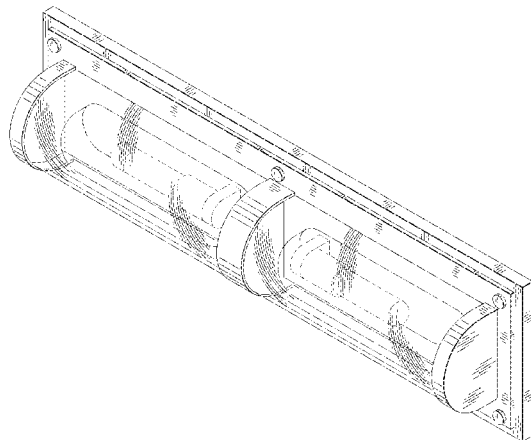
(56) **References Cited**

U.S. PATENT DOCUMENTS

1,184,917	A	*	5/1916	Benjamin	.....	F21V 7/24
						362/296.04
2,291,488	A	*	7/1942	Naysmith	.....	F21V 17/00
						362/222
D286,206	S	*	10/1986	Joosten	.....	D26/85
D315,421	S	*	3/1991	Goldschmidt	.....	D26/85
D364,242	S	*	11/1995	Fiorato	.....	D26/85
D487,814	S	*	3/2004	Hoernig	.....	D26/92
D536,821	S	*	2/2007	Dolan	.....	D26/92
D544,131	S	*	6/2007	Blackman	.....	D26/85
D549,383	S	*	8/2007	Duggan	.....	D26/85

(Continued)

**1 Claim, 6 Drawing Sheets**



(56)

## References Cited

## U.S. PATENT DOCUMENTS

D639,995	S *	6/2011	Compton	.....	D26/85
D646,425	S *	10/2011	Crosby	.....	D26/85
D688,413	S *	8/2013	Tomlinson	.....	D26/129
D697,659	S *	1/2014	Sabernig	.....	D26/87
D697,660	S *	1/2014	Sabernig	.....	D26/87
D697,661	S *	1/2014	Sabernig	.....	D26/80
D760,939	S *	7/2016	Hoang	.....	D26/85
D764,093	S *	8/2016	Sabernig	.....	D26/85
D824,076	S *	7/2018	Sonneman	.....	D26/86
D830,608	S *	10/2018	Amato	.....	D26/85
D932,677	S *	10/2021	Cai	.....	D26/85
D938,092	S *	12/2021	Amato	.....	D26/85
D940,378	S *	1/2022	Browning	.....	D26/119
D945,683	S *	3/2022	Zeng	.....	D26/85
D950,130	S *	4/2022	Browning	.....	D26/85
D973,257	S *	12/2022	Lissoni	.....	D26/87
2021/0131650	A1 *	5/2021	Crawford	.....	F21V 17/18

## OTHER PUBLICATIONS

Gold Wall Lamp, posted at Amazon, date first available Mar. 14, 2022. Site visited Mar. 20, 2023 Available from internet, URL: [https://www.amazon.ca/dp/B09VGKNHYQ?ref=cm\\_sw\\_r\\_cp\\_ud\\_dp\\_XMB4RAEWWC98B1VGVGHO](https://www.amazon.ca/dp/B09VGKNHYQ?ref=cm_sw_r_cp_ud_dp_XMB4RAEWWC98B1VGVGHO) (Year: 2022).\*

Wall Mount Sconce, posted at aloaddecor. Site visited Mar. 20, 2023 Available from internet, URL: <https://www.aloaddecor.com/products/interior-decor-2-light-contemporary-brass-cylindrical-wall-mount-sconce-with-clear-glass-tube> (Year: 2023).\*

Wall Sconce, posted at rbrights. Site visited Apr. 18, 2023. Available from internet, URL: [https://rbrights.us/products/outdoor-linear-grand-wall-sconce?\\_pos=1&\\_sid=163fc01cb&\\_ss=r](https://rbrights.us/products/outdoor-linear-grand-wall-sconce?_pos=1&_sid=163fc01cb&_ss=r) (Year: 2023).\*

Savile, posted at vjlighting. Site visited Apr. 18, 2023. Available from internet, URL: <https://www.vjlighting.com/products/savile-round-linear-sconce-wall-sconce-for-living-room> (Year: 2023).\*

\* cited by examiner

FIG. 1

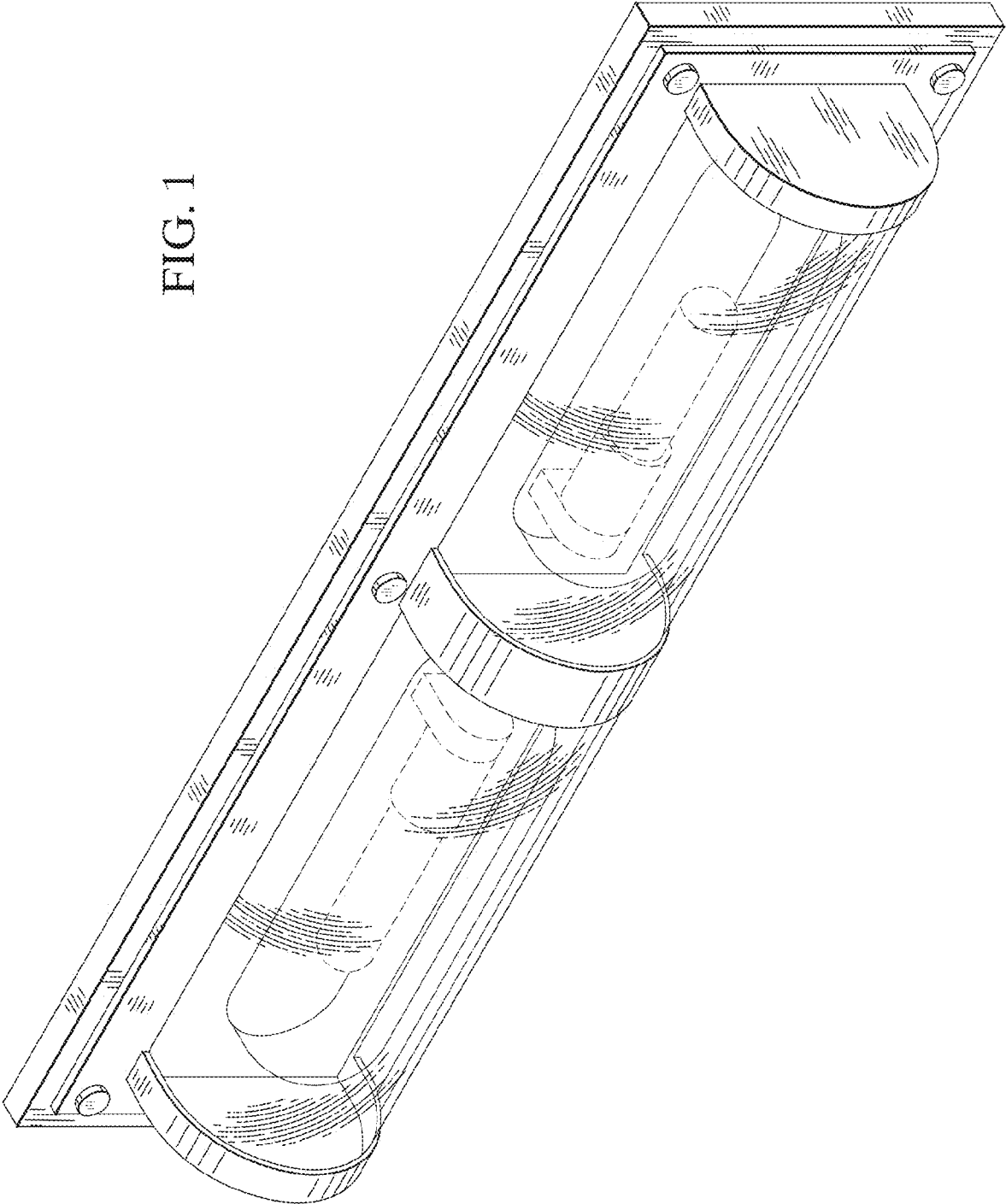


FIG. 2

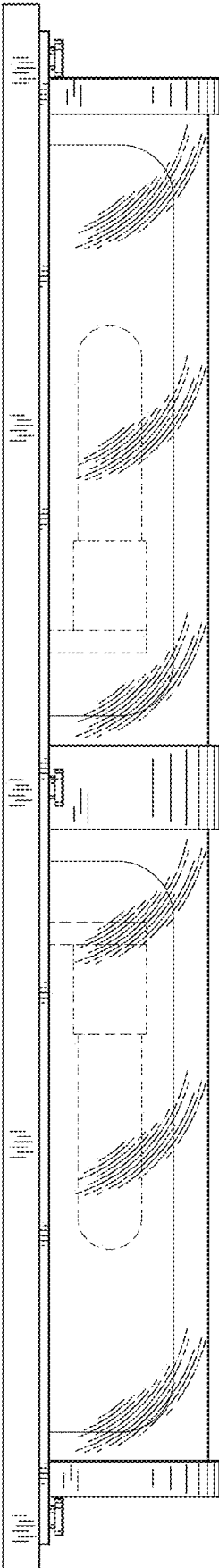


FIG. 3

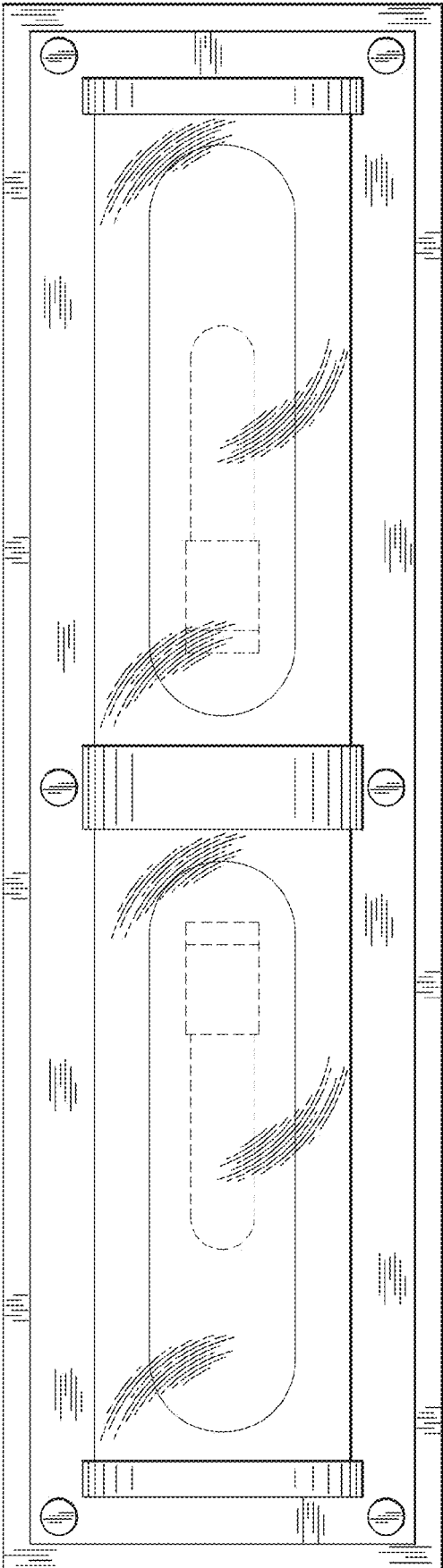


FIG. 4

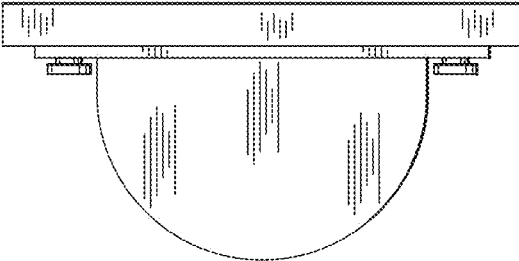


FIG. 5

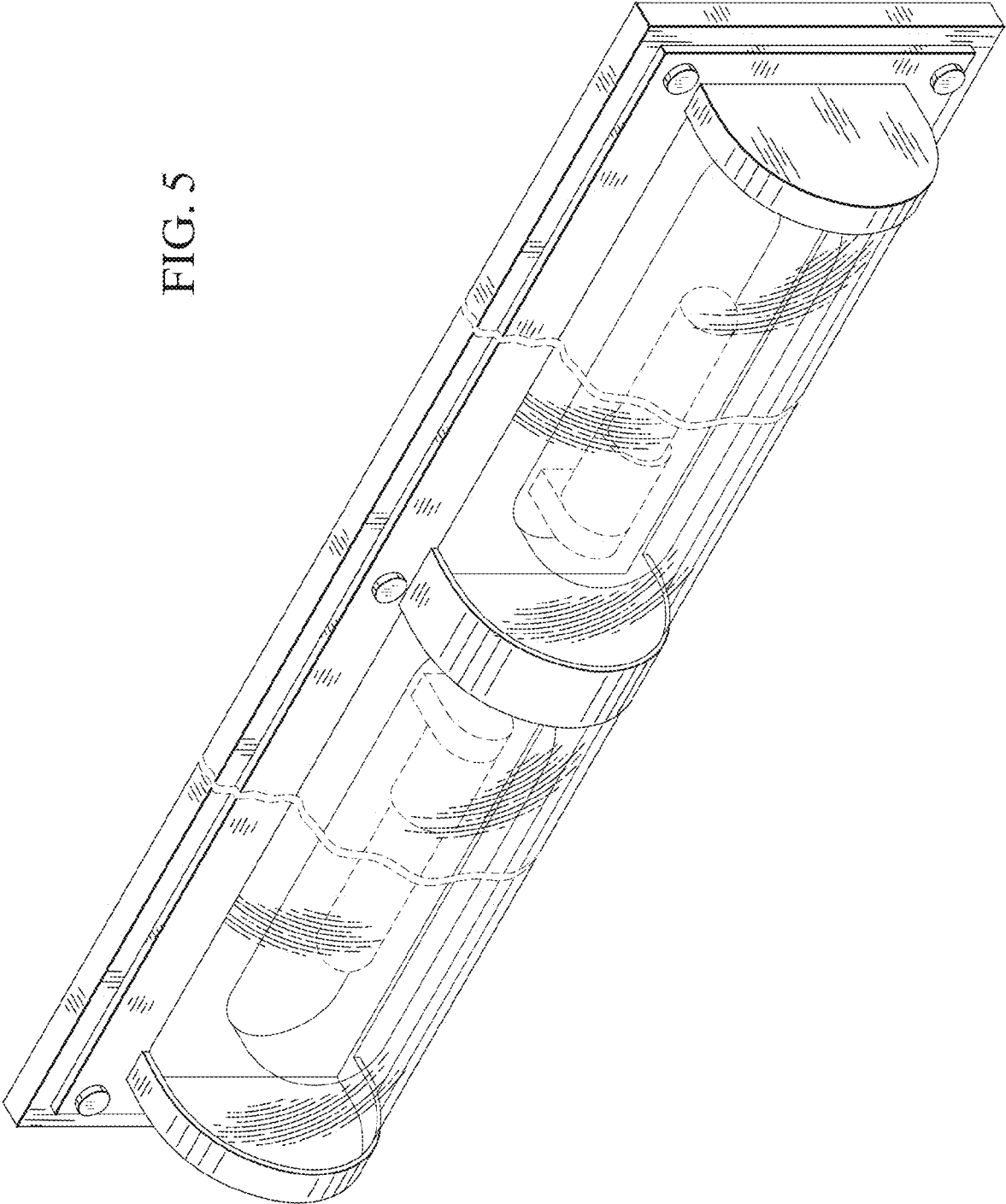


FIG. 6

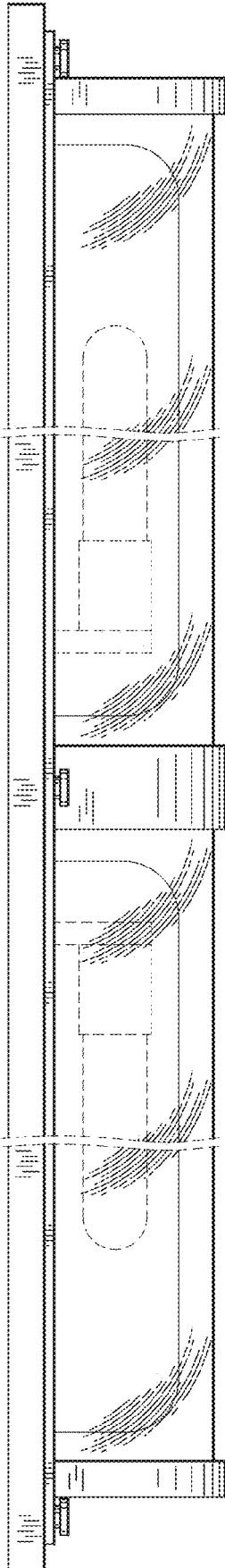


FIG. 7

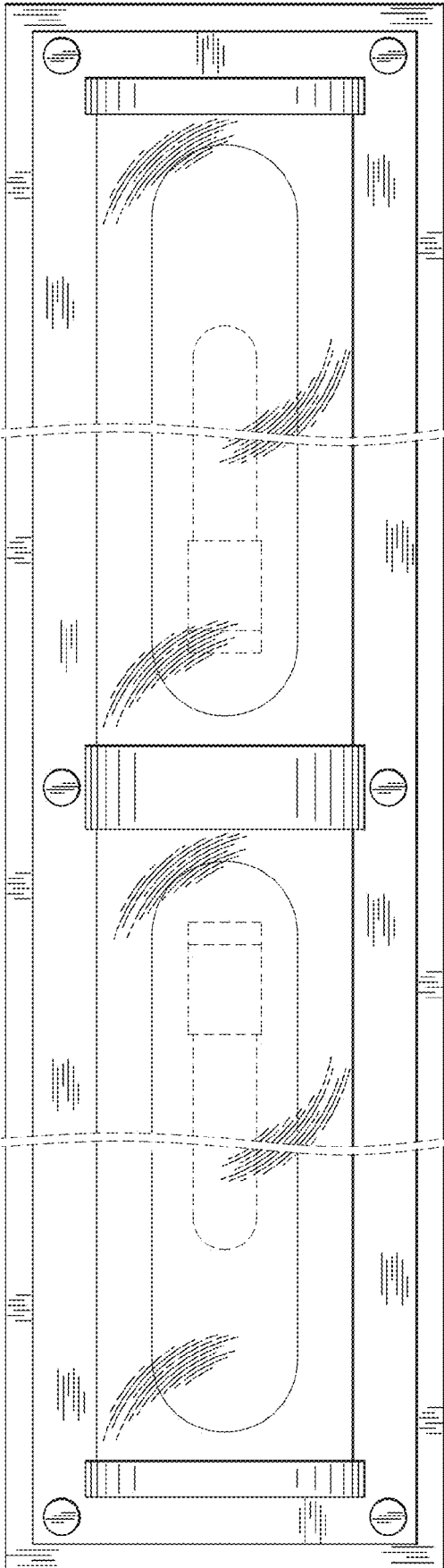


FIG. 8

