

[54] BUILDING PARTITION BLOCK

3,795,079 3/1974 Klem ..... 52/284 X  
4,040,225 8/1977 Bretone ..... 52/585

[76] Inventor: James A. Schuring, 352 Saratoga Ave. NW., Canton, Ohio 44708

Primary Examiner—A. Hugo Word  
Attorney, Agent, or Firm—Joseph Frease

[\*\*] Term: 14 Years

[57] CLAIM

[21] Appl. No.: 797,451

The ornamental design for a building partition block, as shown

[22] Filed: May 16, 1977

DESCRIPTION

[51] Int. Cl. .... D25—01

FIG. 1 is a perspective top view of a building partition block showing my new design;

[52] U.S. Cl. .... D25/86

FIG. 2 is a perspective bottom view of the building partition block, as shown in FIG. 1;

[58] Field of Search ..... D25/80, 84, 85, 86, D25/87, 88, 91, 92, 97; 52/284, 285, 286, 314, 585, 590, 570, 593, 588, 595

FIG. 3 is an enlarged front elevational view of the building partition block, as shown in FIG. 1;

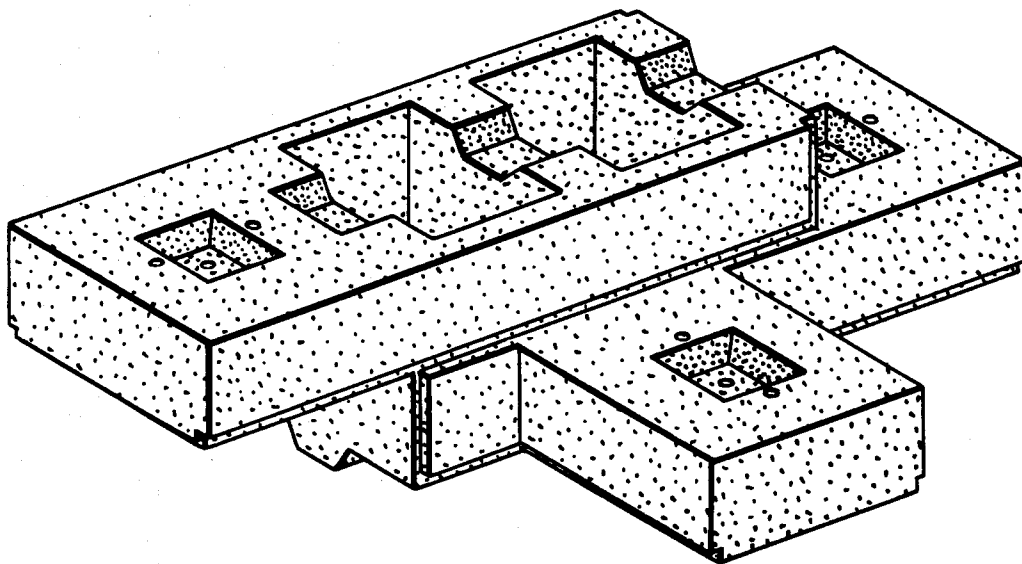
FIG. 4 is a right-hand side elevational view of the building partition block, as shown in FIG. 3; and

FIG. 5 is a left-hand side elevational view of the building partition block, as shown in FIG. 3.

[56] References Cited

U.S. PATENT DOCUMENTS

D. 243,855 3/1977 Hynes ..... D25/87  
1,584,379 5/1926 Kelley ..... D25/86 X



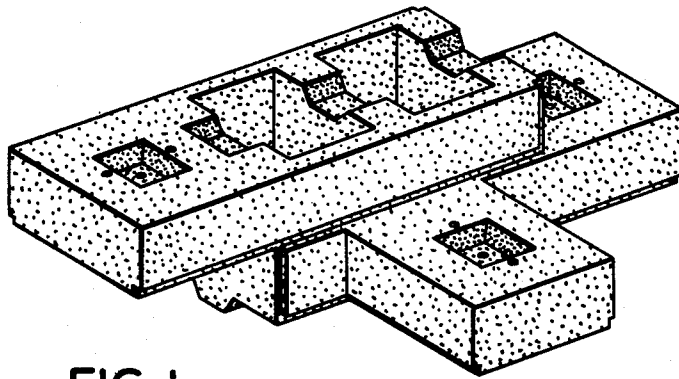


FIG. 1

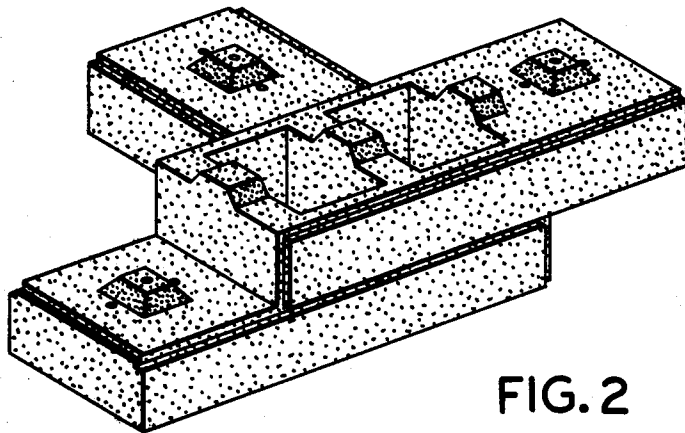


FIG. 2

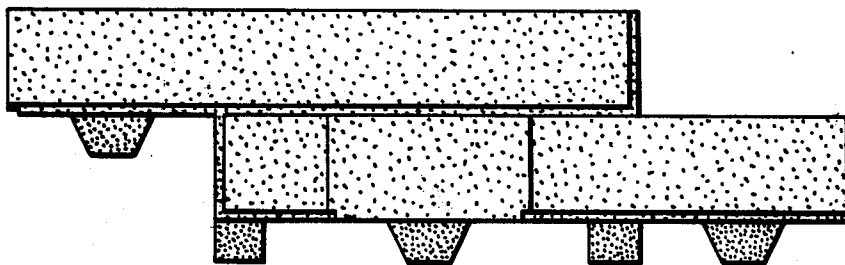


FIG. 3

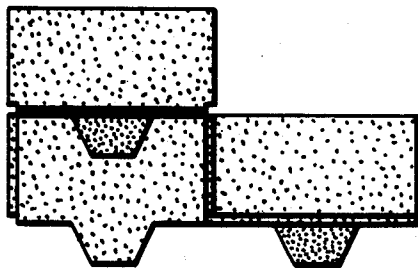


FIG. 5

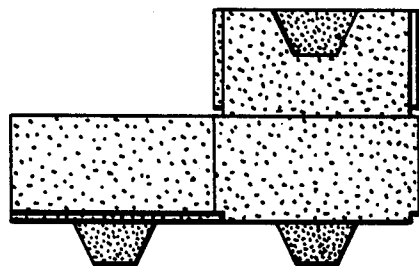


FIG. 4