



US00D439853S

(12) **United States Design Patent**  
**Aiello et al.**

(10) **Patent No.:** **US D439,853 S**

(45) **Date of Patent:** **\*\* \*Apr. 3, 2001**

(54) **MULTI-TECHNOLOGY OCCUPANCY SENSOR**

D. 375,097 \* 10/1996 Kovens ..... D10/106  
D. 383,078 \* 9/1997 Carmi ..... D10/106  
D. 399,155 \* 10/1998 Roberts ..... D10/106

(75) Inventors: **Justin Aiello**, Port Washington, NY (US); **Willfred Goldschmidt**, Weston; **Jeff Mullally**, Milford, both of CT (US); **R. Kurt Bender**, Dripping Springs, TX (US)

\* cited by examiner

*Primary Examiner*—Marcus A. Jackson  
(74) *Attorney, Agent, or Firm*—Fulbright & Jaworski

(73) Assignee: **MYTECH**, Austin, TX (US)

(57) **CLAIM**

(\*) Notice: This patent is subject to a terminal disclaimer.

The design for a multi-technology occupancy sensor, as shown and described.

(\*\*) Term: **14 Years**

**DESCRIPTION**

(21) Appl. No.: **29/115,240**

FIG. 1 is a perspective view of the bottom, front and right sides of the multi-technology occupancy sensor showing the new and ornamental design; and,

(22) Filed: **Dec. 8, 1999**

FIG. 2 is a perspective view of the top, front and left sides of the multi-technology occupancy sensor of FIG. 1.

(51) **LOC (7) Cl.** ..... **10-05**

(52) **U.S. Cl.** ..... **D10/104**

(58) **Field of Search** ..... D10/104, 106, D10/116, 121; 340/545, 547, 555, 578, 586, 628, 629, 630, 693

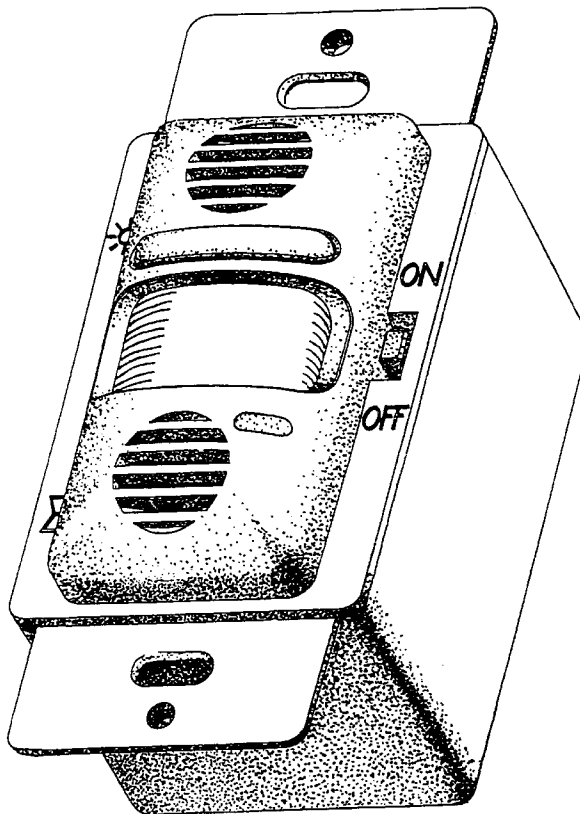
In the disclosed embodiment, the back of multi-technology occupancy sensor is hidden in its ultimate use, is unornamented and therefore is not shown in the drawings.

(56) **References Cited**

**U.S. PATENT DOCUMENTS**

D. 369,308 \* 4/1996 Pun ..... D10/106

**1 Claim, 2 Drawing Sheets**



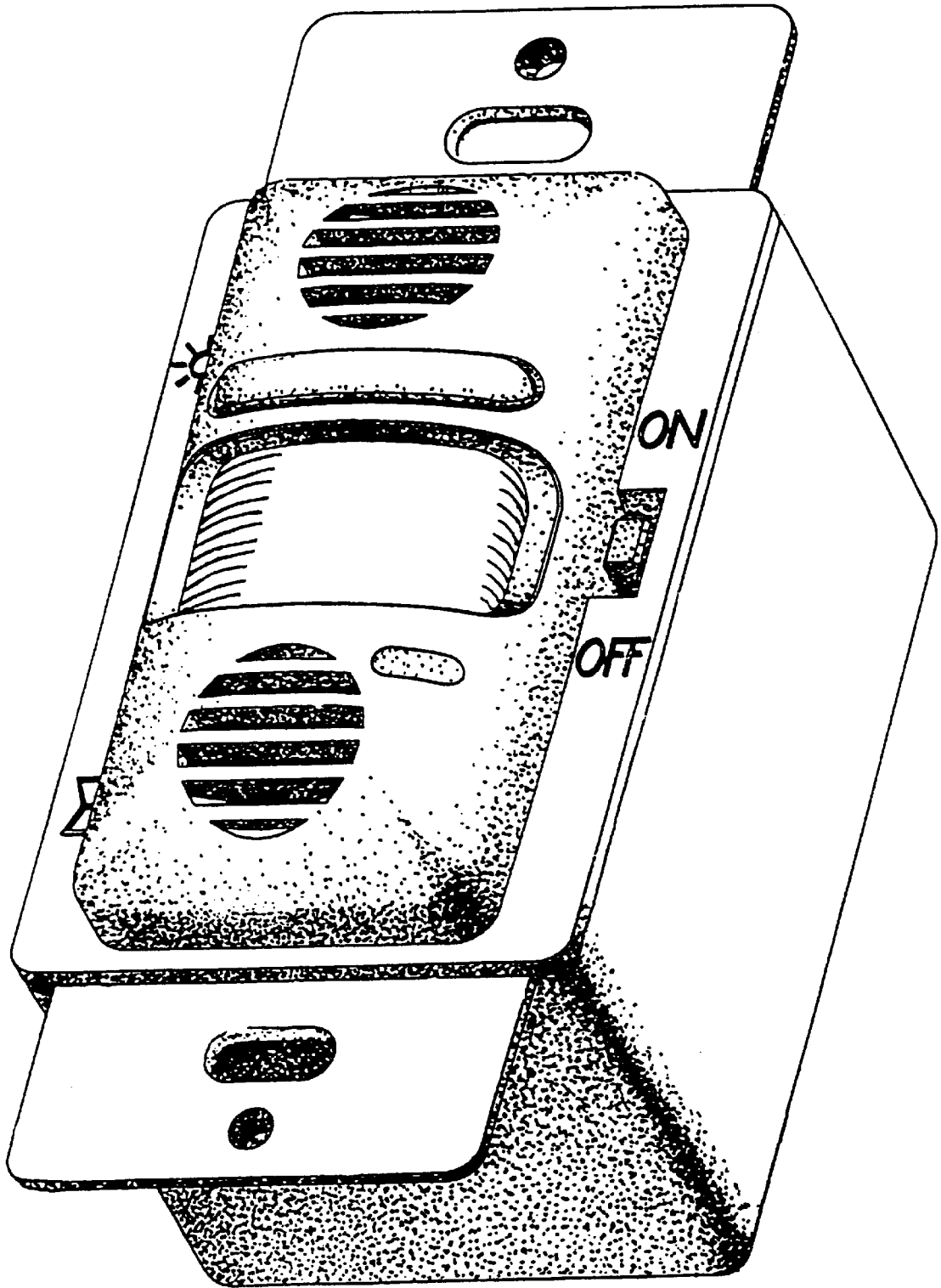


Figure 1

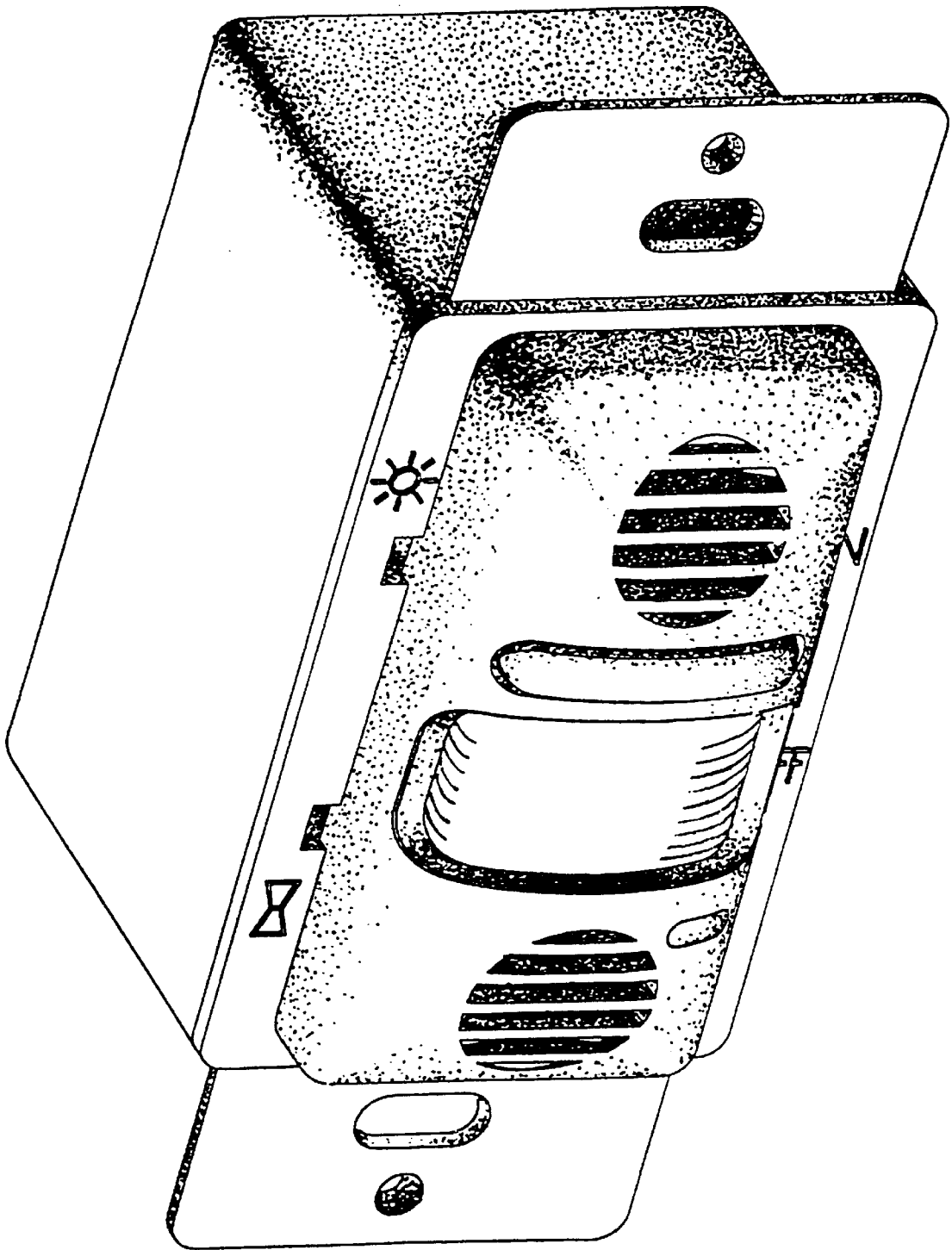


Figure 2