



US00D451054B1

(12) **United States Design Patent**  
Thom et al.

(10) **Patent No.:** **US D451,054 S**

(45) **Date of Patent:** **\*\* Nov. 27, 2001**

(54) **ARTICLE CARRYING ARRANGEMENT**

4,449,750 5/1984 Pultman .  
4,526,419 7/1985 Bowman et al. .  
4,676,416 6/1987 Harmon .  
5,012,963 \* 5/1991 Rosenbaum ..... D12/133

(75) Inventors: **Paul Thom**, Monclair; **Kurt Landsberger**, Verona; **David Landsberger**, Caldwell, all of NJ (US)

**OTHER PUBLICATIONS**

(73) Assignee: **Bel-Art Products, Inc.**, Pequannock, NJ (US)

Maddak, Inc., Catalog 1294, pp. 1, 2, 3, 6, 7.

(\*\*) Term: **14 Years**

\* cited by examiner

(21) Appl. No.: **29/137,428**

*Primary Examiner*—Marcus A. Jackson

(22) Filed: **Feb. 21, 2001**

(74) *Attorney, Agent, or Firm*—Lawrence G. Fridman

(51) **LOC (7) Cl.** ..... **12-12**

(52) **U.S. Cl.** ..... **D12/133**

(58) **Field of Search** ..... D12/128, 130,  
D12/133; 297/5, 6, 188; 224/42.46, 42.42;  
220/23.83; 135/67.65, 75.85

(57) **CLAIM**

The ornamental design for the article carrying arrangement, as shown and described.

**DESCRIPTION**

(56) **References Cited**

**U.S. PATENT DOCUMENTS**

- D. 324,504 3/1992 Olsen .
- D. 340,012 \* 10/1993 Azzarelli ..... D12/133
- D. 409,953 \* 5/1999 Heineken et al. .... D12/133
- 3,957,071 5/1976 Kenner .
- 4,158,428 6/1979 Bates .
- 4,184,618 1/1980 Jones .
- 4,257,545 3/1981 Rhyan .
- 4,339,053 7/1982 Trubiano .
- 4,339,061 \* 7/1982 Dunn ..... D12/133

FIG. 1 is a perspective view of an article carrying arrangement of the invention, with the broken line showing for illustrative purposes and forming no part of the claimed design;

FIG. 2 is a front elevational view thereof;

FIG. 3 is a rear elevational view thereof;

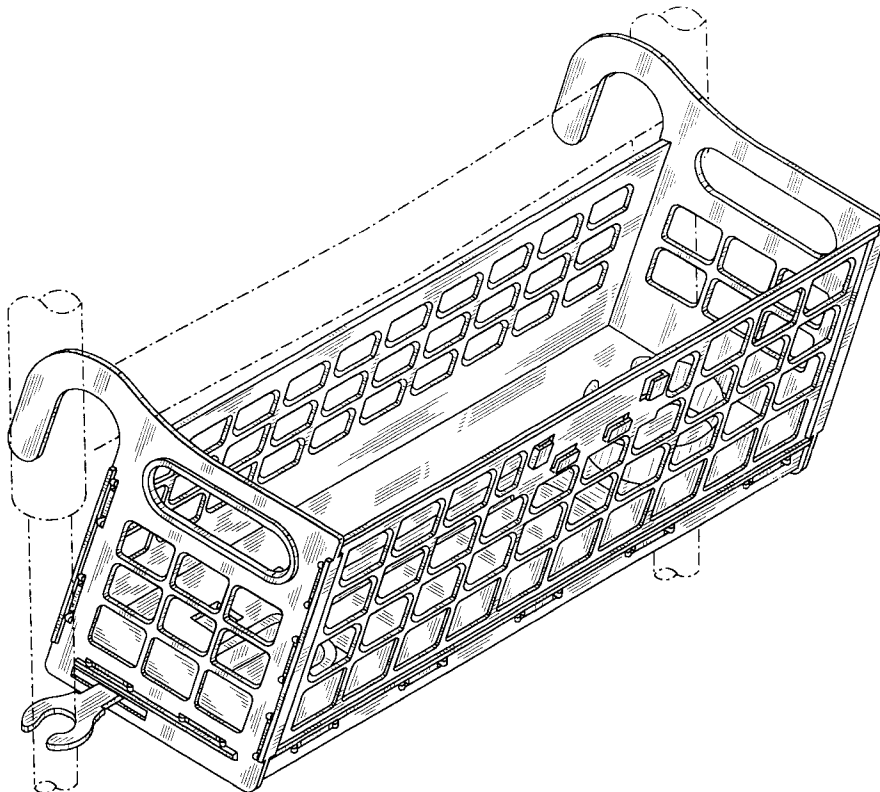
FIG. 4 is a right hand side elevational view thereof; (Left hand side elevational view is a mirror image of FIG. 4).

FIG. 5 is a top plan view thereof;

FIG. 6 is a bottom plan view thereof; and,

FIG. 7 is a section view according to section line 7—7 of FIG. 5.

**1 Claim, 6 Drawing Sheets**



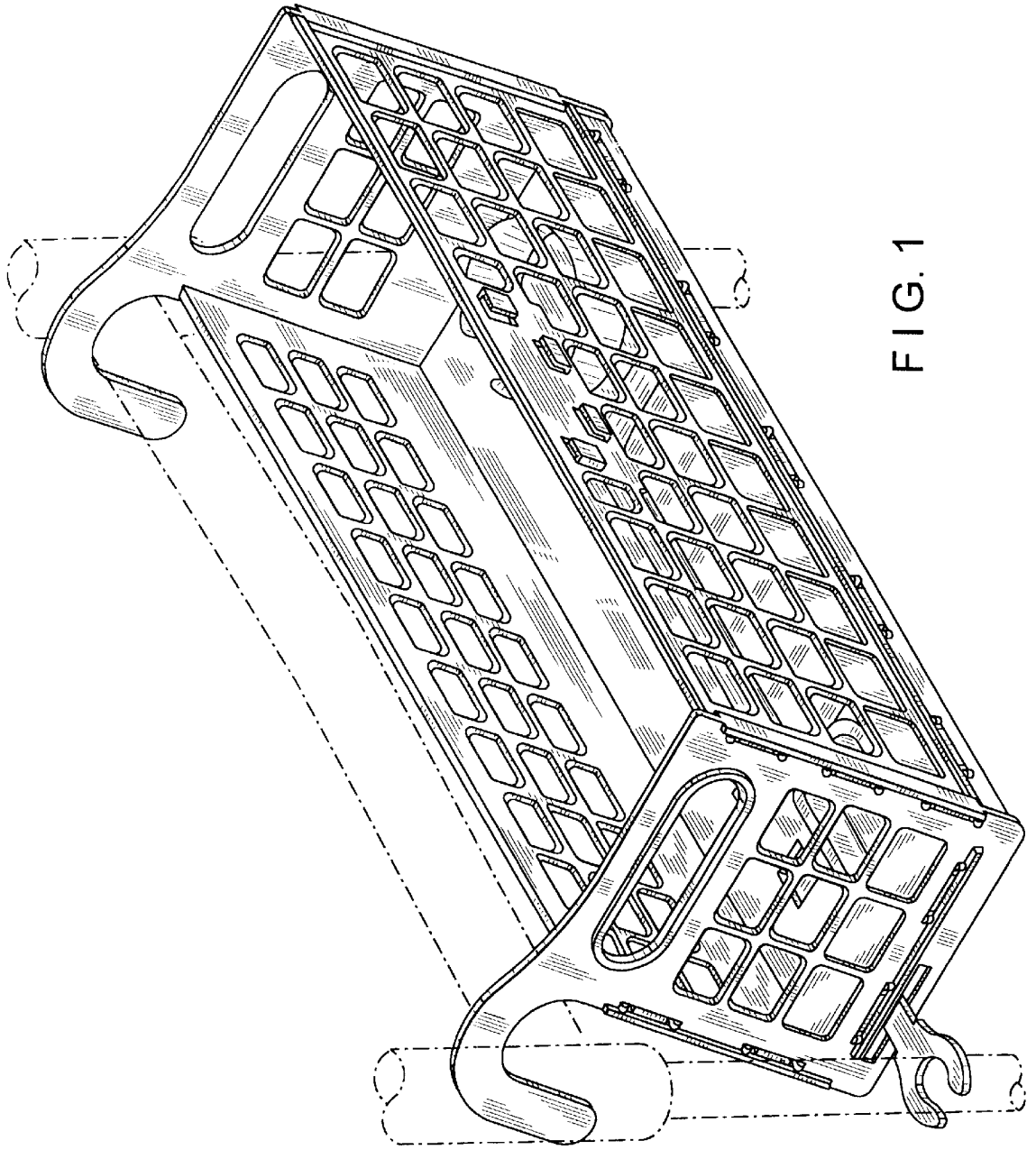


FIG. 1

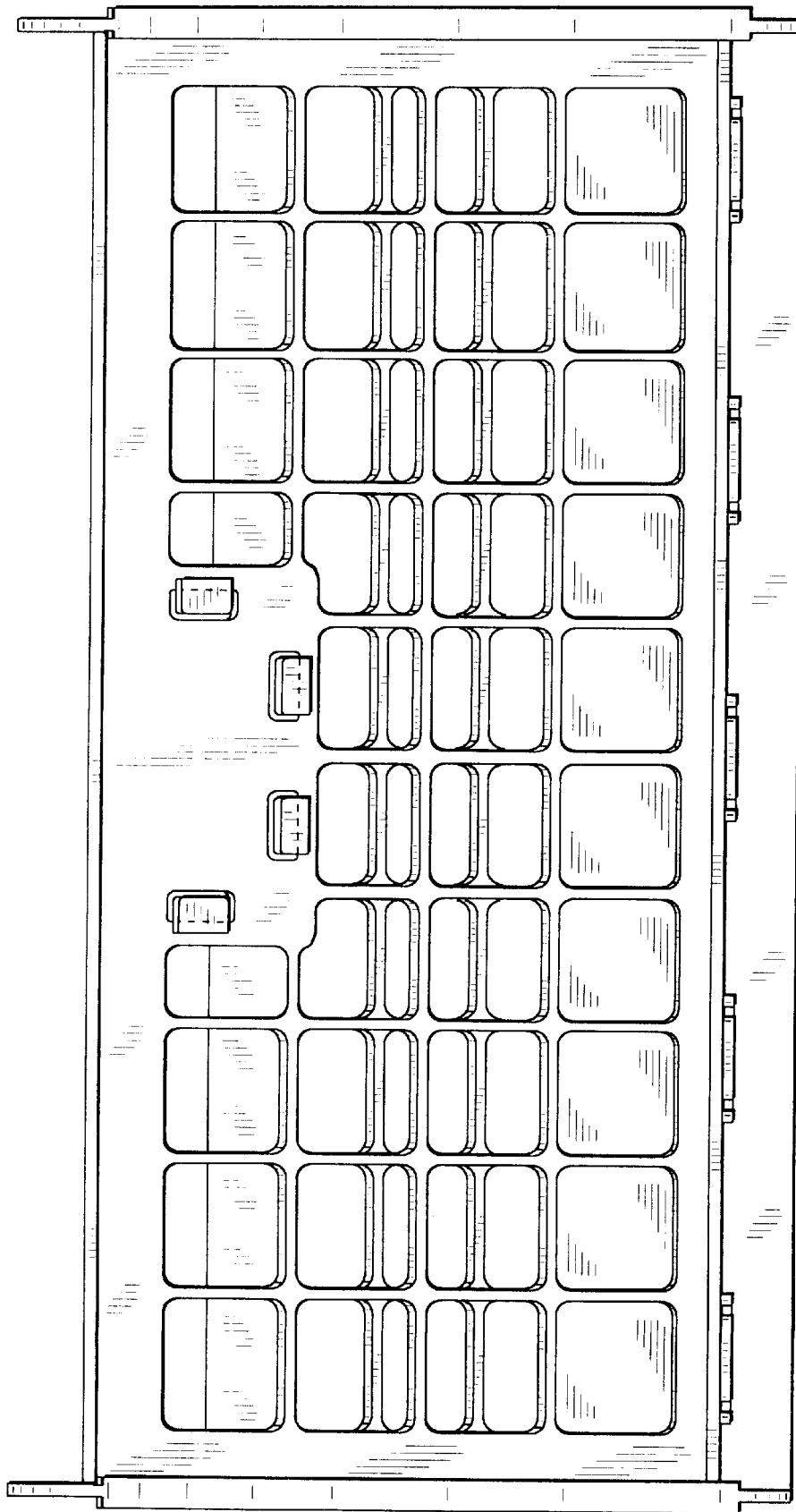


FIG. 2

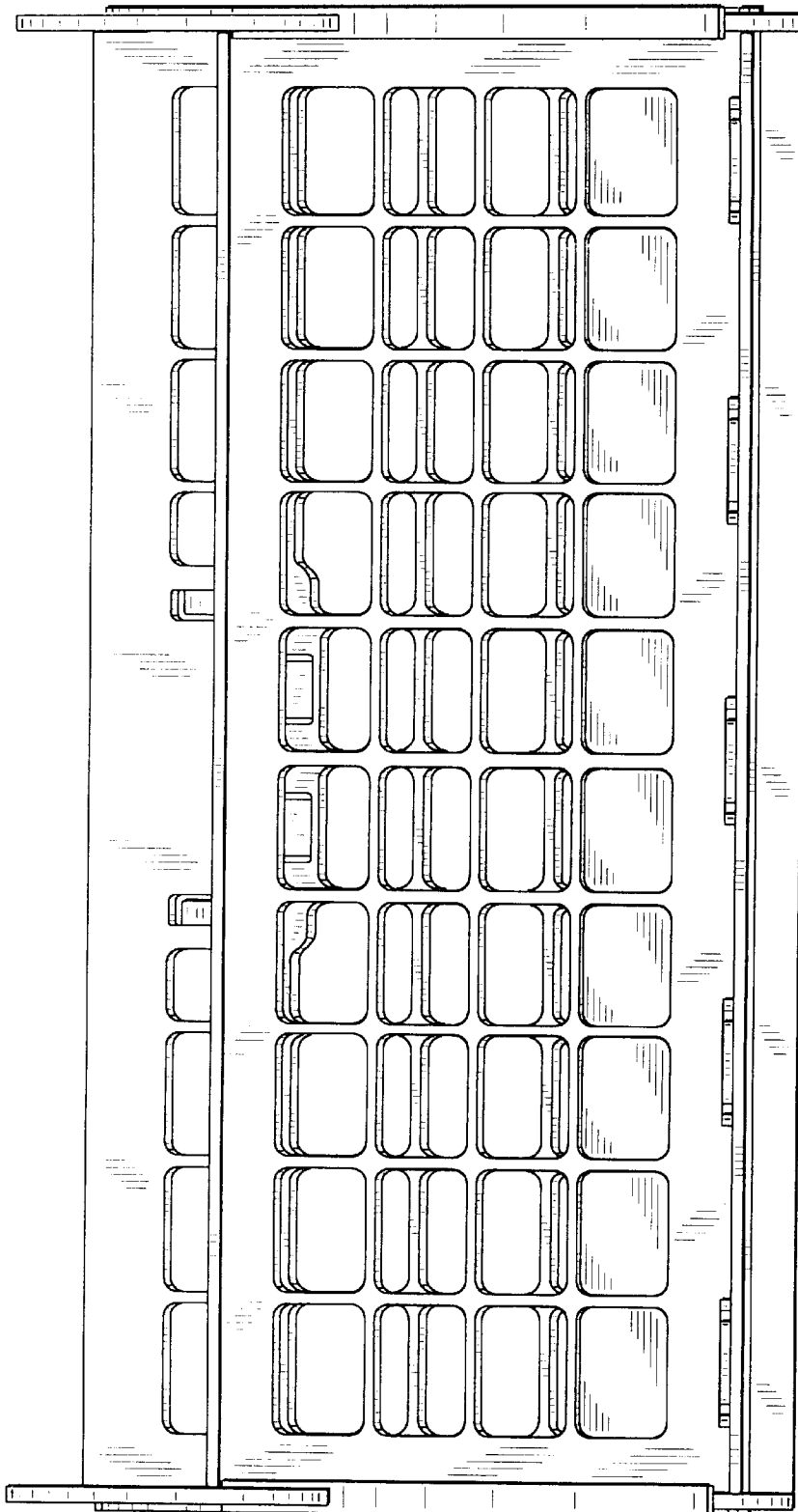


FIG. 3

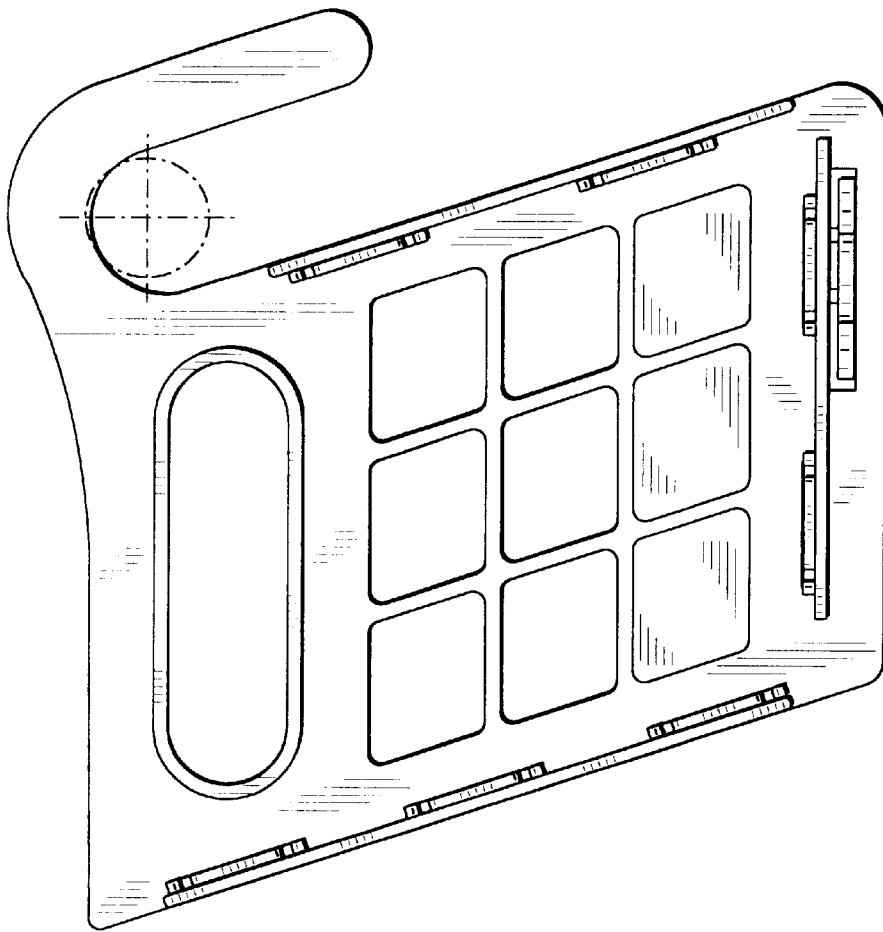


FIG. 4

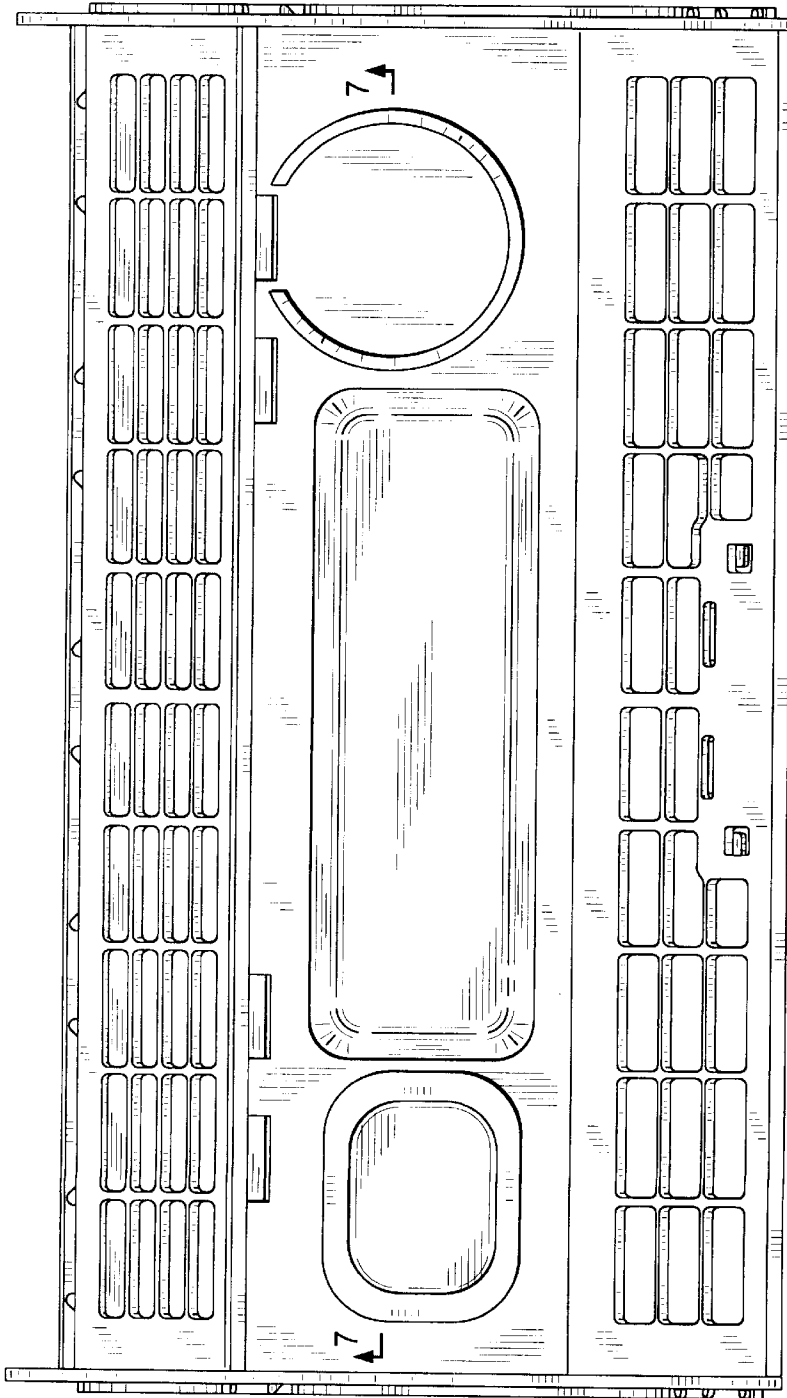


FIG. 5



FIG. 7

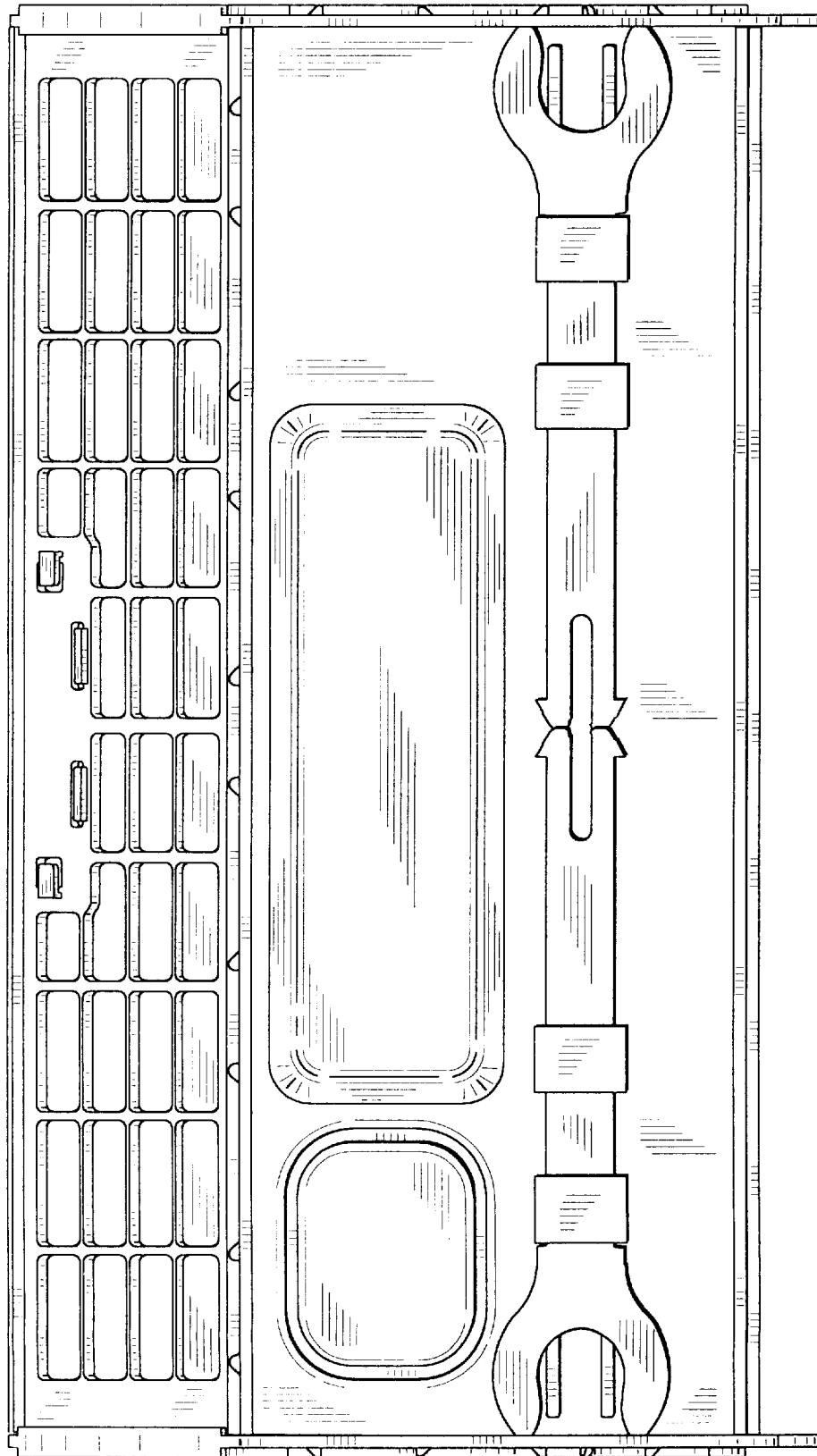


FIG. 6