



US00D657792S

(12) **United States Design Patent**  
**Lee et al.**

(10) **Patent No.:** **US D657,792 S**

(45) **Date of Patent:** **\*\* Apr. 17, 2012**

(54) **MONITOR FOR COMPUTER**

(75) Inventors: **Yong-Joo Lee**, Seoul (KR); **Jin-Ho Choi**, Seoul (KR)

(73) Assignee: **Samsung Electronics Co., Ltd.**, Suwon (KR)

(\*\*) Term: **14 Years**

(21) Appl. No.: **29/397,048**

(22) Filed: **Jul. 11, 2011**

(30) **Foreign Application Priority Data**

Apr. 18, 2011 (KR) ..... 30-2011-0015663

(51) **LOC (9) Cl.** ..... **14-02**

(52) **U.S. Cl.** ..... **D14/374**

(58) **Field of Classification Search** ..... D14/371-375,  
D14/125-129, 336, 337; 341/12; 345/104,  
345/156, 168, 173; 348/180, 184, 325, 739;  
349/1, 2, 11, 62; 361/679.05-679.07, 679.21;  
D6/300, 308

See application file for complete search history.

(56) **References Cited**

**U.S. PATENT DOCUMENTS**

D610,143	S *	2/2010	Park et al.	.....	D14/374
D616,884	S *	6/2010	Kim et al.	.....	D14/374
D619,979	S *	7/2010	Lee et al.	.....	D14/126
D632,291	S *	2/2011	Park	.....	D14/374
D635,140	S *	3/2011	Tsai et al.	.....	D14/374
D635,569	S *	4/2011	Park	.....	D14/374
D635,975	S *	4/2011	Seo et al.	.....	D14/374

**FOREIGN PATENT DOCUMENTS**

KR	3003832320000	6/2005
KR	3003879930000	8/2005
KR	3004144010000	5/2006
KR	3004261490000	9/2006
KR	3004261500000	9/2006
KR	3004293530000	11/2006
KR	3004293530001	11/2006
KR	3004339210000	12/2006
KR	3004388560001	2/2007

KR	3004388560002	3/2007
KR	3004745330000	1/2008
KR	3004772070000	1/2008
KR	3004808250000	3/2008
KR	3004809710000	3/2008
KR	3004745330001	4/2008
KR	3004873790000	4/2008
KR	3004873800000	4/2008
KR	3004873810000	4/2008
KR	3005011860000	8/2008

**OTHER PUBLICATIONS**

U.S. Appl. No. 29/393,955, Applicant: Lee, et al., filed Jun. 10, 2011 entitled Monitor for Computer.  
 U.S. Appl. No. 29/393,978, Applicant: Kim, et al., filed Jun. 10, 2011 entitled Monitor for Computer.  
 U.S. Appl. No. 29/393,894, Applicant: Lee, et al., filed Jun. 10, 2011 entitled Monitor for Computer.  
 U.S. Appl. No. 29/393,889, Applicant: Kim, et al., filed Jun. 10, 2011 entitled Monitor for Computer.  
 U.S. Appl. No. 29/393,886, Applicant: Lee, et al., filed Jun. 10, 2011 entitled Monitor for Computer.  
 U.S. Appl. No. 29/397,053, Applicant: Lee, et al., filed Jul. 11, 2011 entitled Monitor for Computer.

\* cited by examiner

*Primary Examiner* — Freda S Nunn

(74) *Attorney, Agent, or Firm* — Wood, Herron & Evans, LLP

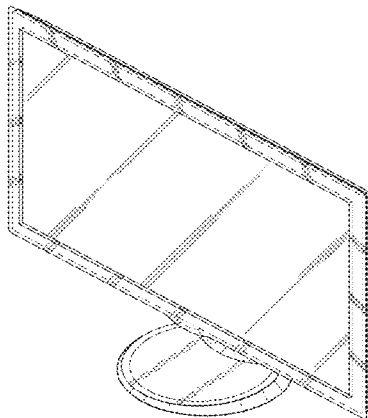
(57) **CLAIM**

The ornamental design for monitor for computer, as shown and described.

**DESCRIPTION**

FIG. 1 is a top front perspective view of a monitor for computer showing our new design;  
 FIG. 2 is a front elevational view thereof;  
 FIG. 3 is a rear elevational view thereof;  
 FIG. 4 is a left side elevational view thereof;  
 FIG. 5 is a right side elevational view thereof;  
 FIG. 6 is a top plan view thereof; and,  
 FIG. 7 is a bottom plan view thereof.

**1 Claim, 5 Drawing Sheets**



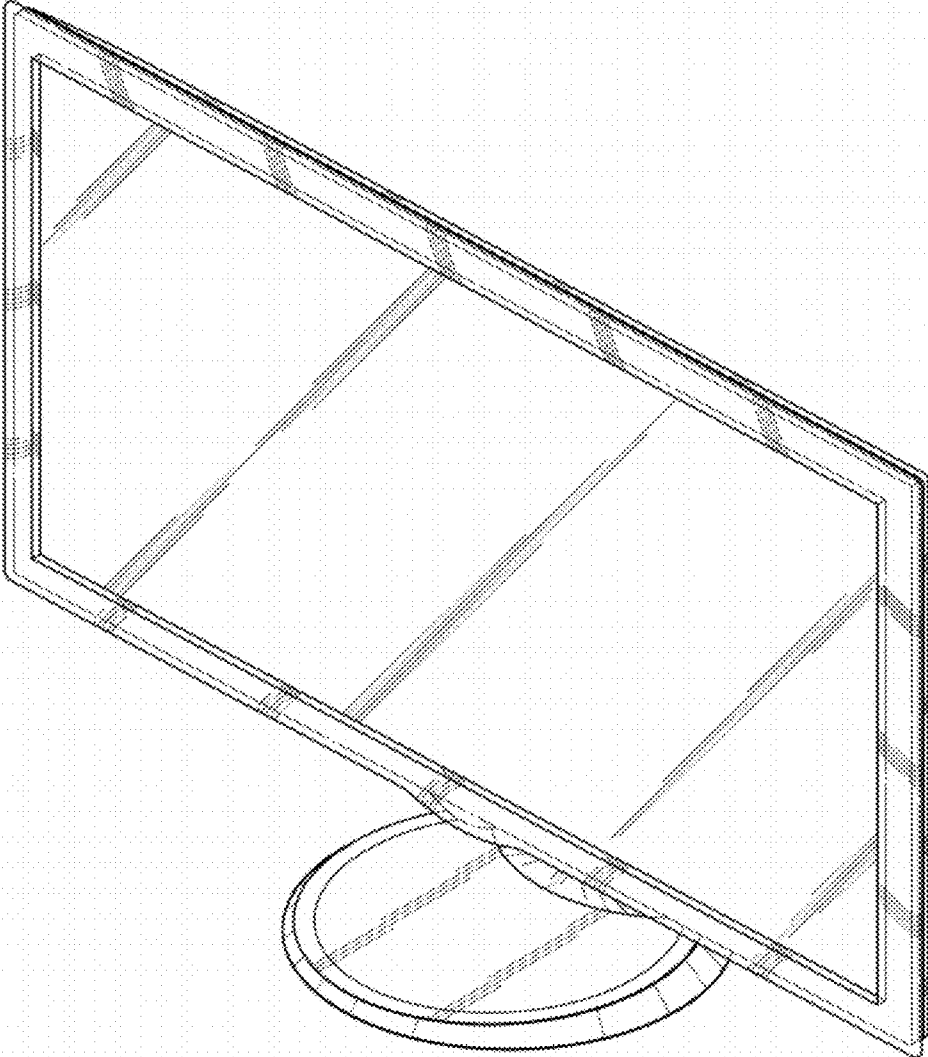


FIG.1

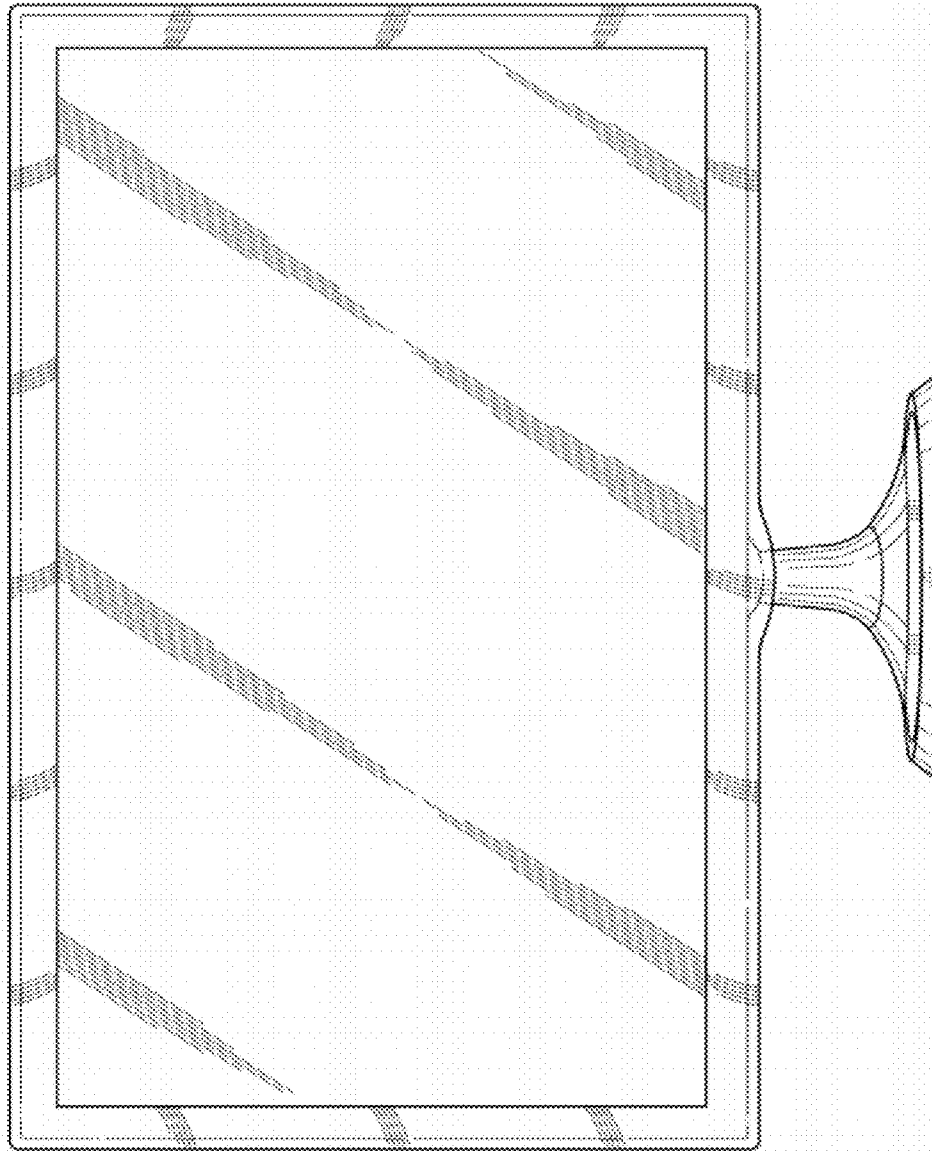


FIG. 2

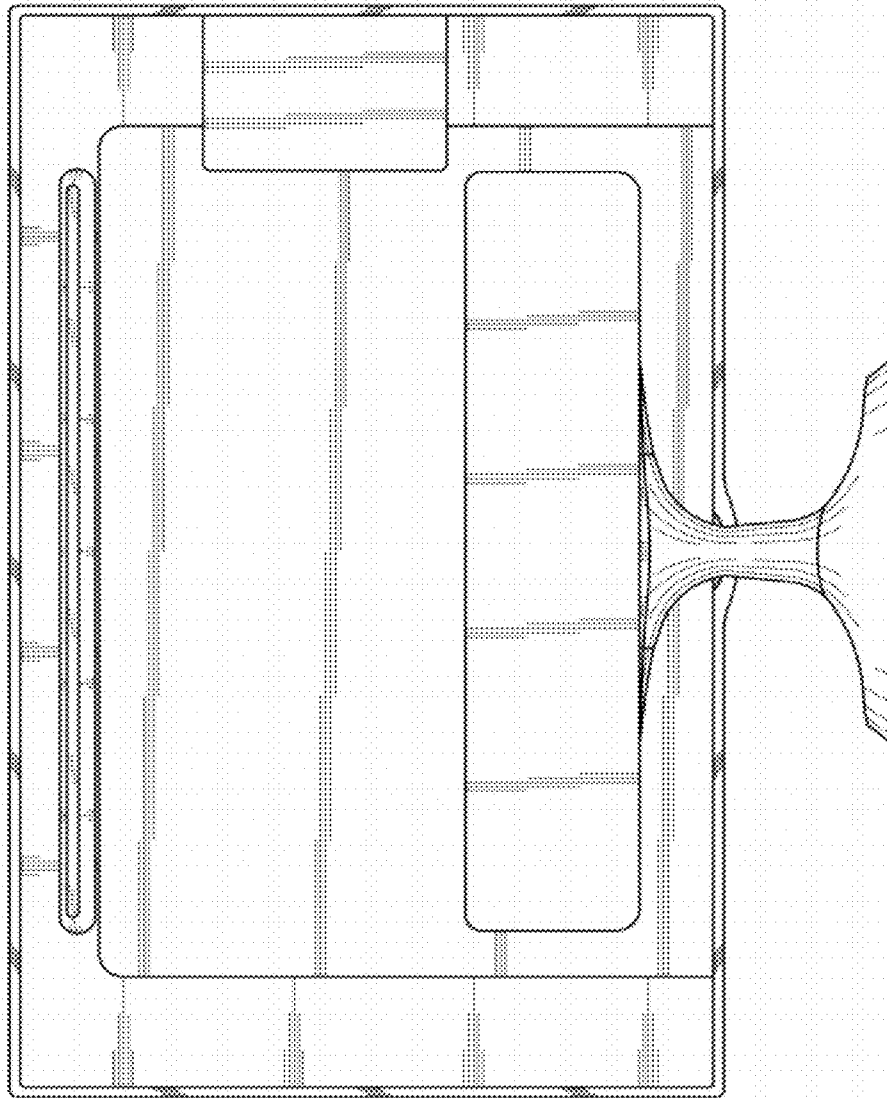


FIG.3

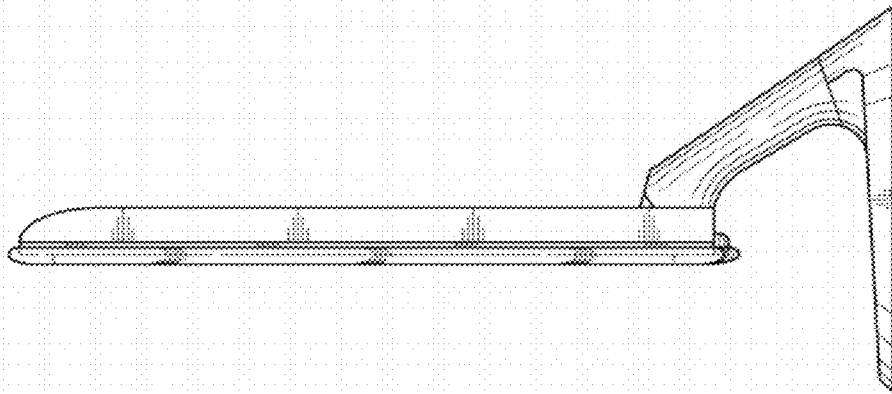


FIG.5

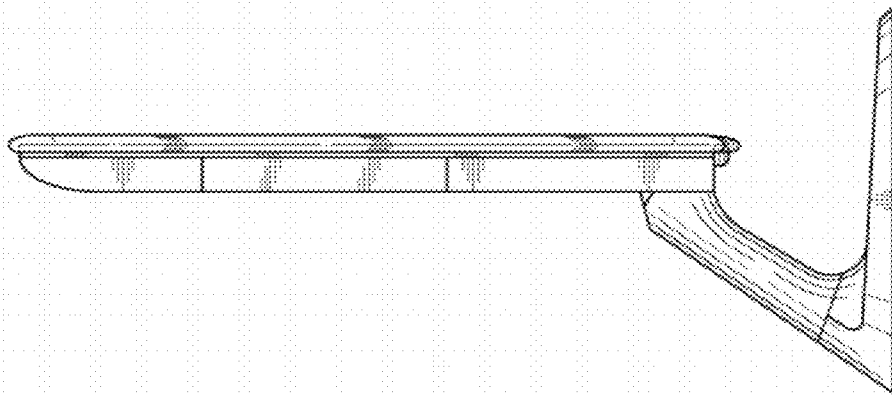


FIG.4

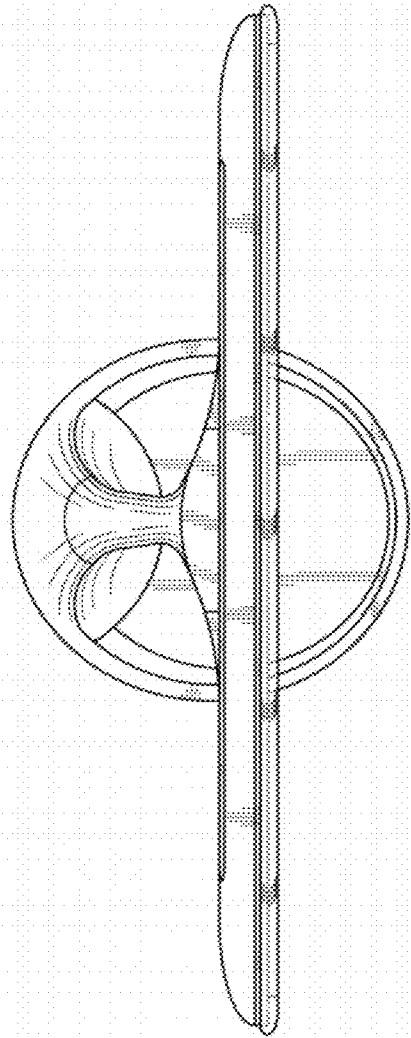


FIG. 6

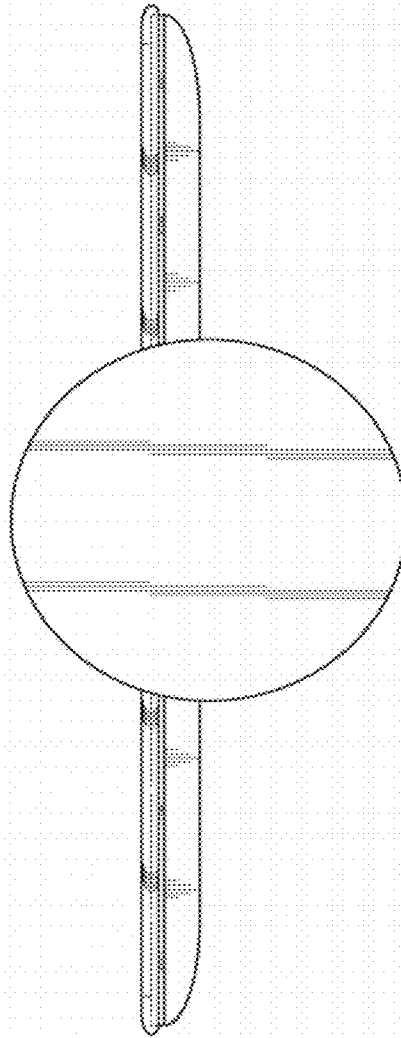


FIG. 7