

CORRECTED VERSION

(19) World Intellectual Property Organization  
International Bureau



(10) International Publication Number  
**WO 2017/201208 A8**

(43) International Publication Date  
23 November 2017 (23.11.2017)

(51) International Patent Classification:

B60L 11/18 (2006.01) H01M 2/20 (2006.01)  
H01M 10/48 (2006.01) H01M 10/42 (2006.01)  
H01M 2/10 (2006.01)

(21) International Application Number:

PCT/US2017/033184

(22) International Filing Date:

17 May 2017 (17.05.2017)

(25) Filing Language:

English

(26) Publication Language:

English

(30) Priority Data:

62/337,790 17 May 2016 (17.05.2016) US

(71) Applicant: FARADAY&FUTURE INC. [US/US]; 18455 S. Figueroa Street, Gardena, CA 90248 (US).

(72) Inventors: HUYNH, Long Phi; 18455 S. Figueroa Street, Gardena, CA 90248 (US). HONG, Michael; 18455 S. Figueroa Street, Gardena, CA 90248 (US). SANSONE, Anthony; 18455 S. Figueroa Street, Gardena, CA 90248 (US).

(74) Agent: XIE, Kenneth X. et al.; Faraday&future Inc., 18455 S. Figueroa Street, Gardena, CA 90248 (US).

(81) Designated States (unless otherwise indicated, for every kind of national protection available): AE, AG, AL, AM, AO, AT, AU, AZ, BA, BB, BG, BH, BN, BR, BW, BY, BZ, CA, CH, CL, CN, CO, CR, CU, CZ, DE, DJ, DK, DM, DO, DZ, EC, EE, EG, ES, FI, GB, GD, GE, GH, GM, GT, HN, HR, HU, ID, IL, IN, IR, IS, JP, KE, KG, KH, KN, KP, KR, KW, KZ, LA, LC, LK, LR, LS, LU, LY, MA, MD, ME, MG,

(54) Title: BATTERY MONITOR PROTECTION

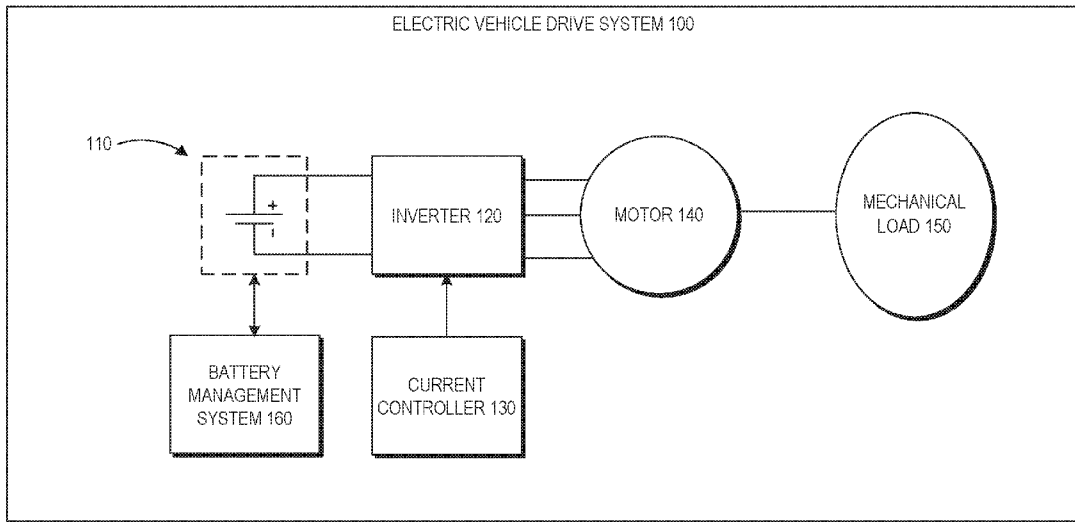


FIG. 1

(57) Abstract: A battery system of an electric vehicle is disclosed. The battery system can include at least a first battery string including a number of battery modules, wherein the first battery string has an output that is coupled to the first power bus through a string switch, and wherein each of battery modules includes a plurality of battery cells connected in series. The battery system can also include a number of battery module monitors, wherein each of the battery module monitors is coupled to the battery cells of a corresponding one of the battery modules. The battery system can further include module monitor protection circuitry coupled to each of the battery module monitors, wherein the module monitor protection circuitry includes a plurality of protection circuits.



WO 2017/201208 A8

MK, MN, MW, MX, MY, MZ, NA, NG, NI, NO, NZ, OM,  
PA, PE, PG, PH, PL, PT, QA, RO, RS, RU, RW, SA, SC,  
SD, SE, SG, SK, SL, SM, ST, SV, SY, TH, TJ, TM, TN, TR,  
TT, TZ, UA, UG, US, UZ, VC, VN, ZA, ZM, ZW.

- (84) Designated States** (*unless otherwise indicated, for every kind of regional protection available*): ARIPO (BW, GH, GM, KE, LR, LS, MW, MZ, NA, RW, SD, SL, ST, SZ, TZ, UG, ZM, ZW), Eurasian (AM, AZ, BY, KG, KZ, RU, TJ, TM), European (AL, AT, BE, BG, CH, CY, CZ, DE, DK, EE, ES, FI, FR, GB, GR, HR, HU, IE, IS, IT, LT, LU, LV, MC, MK, MT, NL, NO, PL, PT, RO, RS, SE, SI, SK, SM, TR), OAPI (BF, BJ, CF, CG, CI, CM, GA, GN, GQ, GW, KM, ML, MR, NE, SN, TD, TG).

**Published:**

— *with international search report (Art. 21(3))*

**(48) Date of publication of this corrected version:**

22 November 2018 (22.11.2018)

**(15) Information about Correction:**

see Notice of 22 November 2018 (22.11.2018)