



(12) **United States Design Patent**
Kasha

(10) **Patent No.:** **US D828,102 S**
(45) **Date of Patent:** **** Sep. 11, 2018**

- (54) **DOUBLE-WALLED VESSEL**
- (71) Applicant: **Adam Kasha**, Ann Arbor, MI (US)
- (72) Inventor: **Adam Kasha**, Ann Arbor, MI (US)
- (**) Term: **15 Years**
- (21) Appl. No.: **29/613,686**
- (22) Filed: **Aug. 11, 2017**
- (51) **LOC (11) Cl.** **07-01**
- (52) **U.S. Cl.**
USPC **D7/584**
- (58) **Field of Classification Search**
USPC D7/500, 584
CPC A47G 19/2205; A47G 2019/122
See application file for complete search history.

D742,176	S	*	11/2015	Thun	D7/509
D743,208	S	*	11/2015	Thun	D7/509
D750,938	S	*	3/2016	Thun	D7/523
9,440,835	B2	*	9/2016	Springer	A47G 19/2205
D777,521	S	*	1/2017	Struggl	D7/534
D793,170	S	*	8/2017	Karussi	D7/538
D794,393	S	*	8/2017	Karussi	D7/538
D794,394	S	*	8/2017	Karussi	D7/538
D806,478	S	*	1/2018	Struggl	D7/523
D806,481	S	*	1/2018	Hinze	D7/558
D807,121	S	*	1/2018	Mittal	D7/587
2010/0288776	A1	*	11/2010	Bodum	A47J 41/0077 220/592.2
2014/0041751	A1	*	2/2014	Stern	A47G 19/2205 141/1
2014/0124470	A1	*	5/2014	Alberts	A47G 19/2288 215/12.1
2017/0188729	A1	*	7/2017	Fenelon	A47G 19/2205

* cited by examiner

Primary Examiner — Cynthia R Underwood
(74) *Attorney, Agent, or Firm* — John G. Posa; Belzer P.C.

(56) **References Cited**

U.S. PATENT DOCUMENTS

5,813,638	A	*	9/1998	Morris	A47G 19/08 220/574
6,314,911	B1	*	11/2001	Kaytovich	A01K 5/0114 119/61.5
D597,792	S	*	8/2009	Lion	D7/509
D599,619	S	*	9/2009	Bodum	D7/509
D622,548	S	*	8/2010	Jensen	D7/509
D623,897	S	*	9/2010	Ross	D7/507
D626,790	S	*	11/2010	Gibson	D7/325
D631,294	S	*	1/2011	Ross	D7/507
D637,456	S	*	5/2011	Creech	D7/509
D650,633	S	*	12/2011	Birgers	D7/509
D651,467	S	*	1/2012	Bodum	D7/509
D698,603	S	*	2/2014	Huckestein	D7/509

(57) **CLAIM**

The ornamental design for a double-walled vessel, as shown and described.

DESCRIPTION

FIG. 1 is an oblique view of the claimed design seen from a first perspective;
FIG. 2 is an side view of the claimed design;
FIG. 3 is a top view of the claimed design; and,
FIG. 4 is a bottom view of the claimed design.

1 Claim, 3 Drawing Sheets

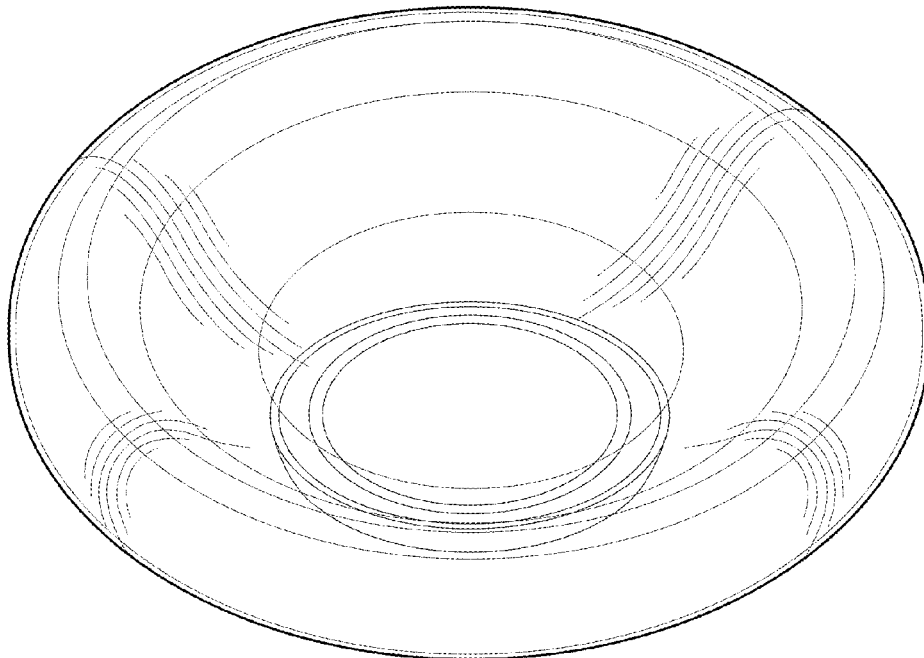


FIG. 1

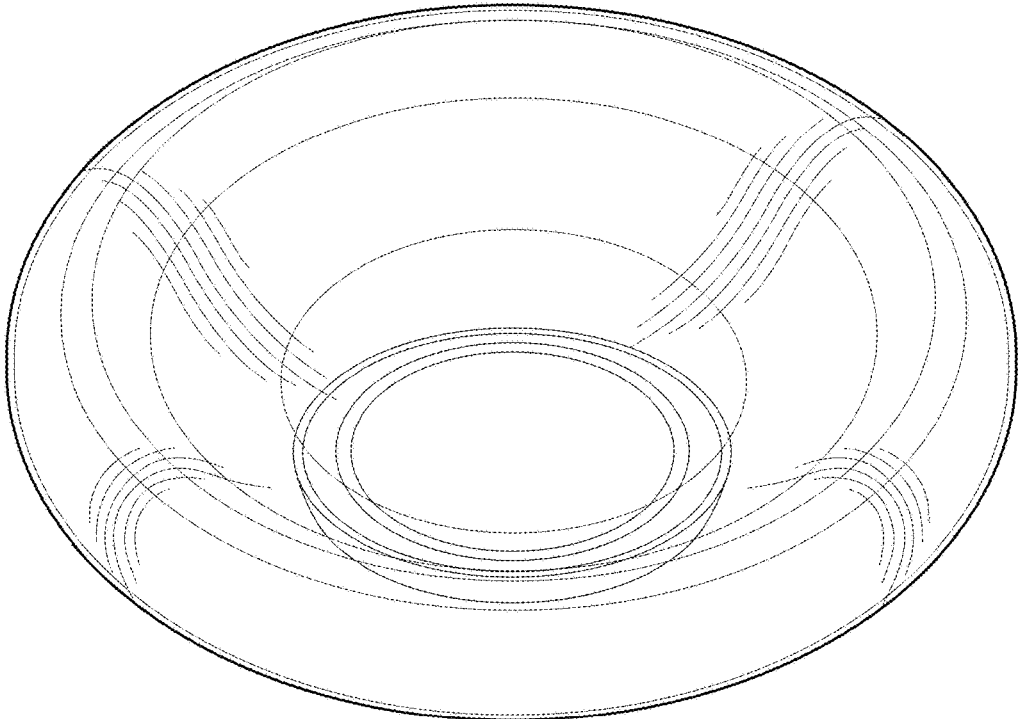
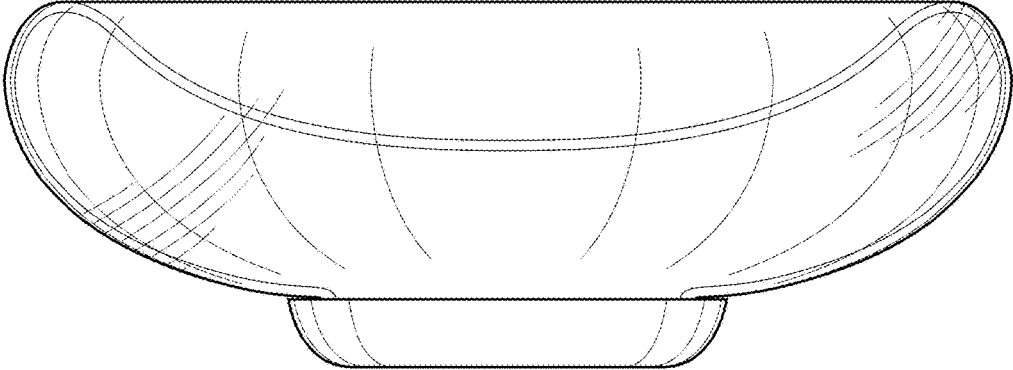


FIG. 2



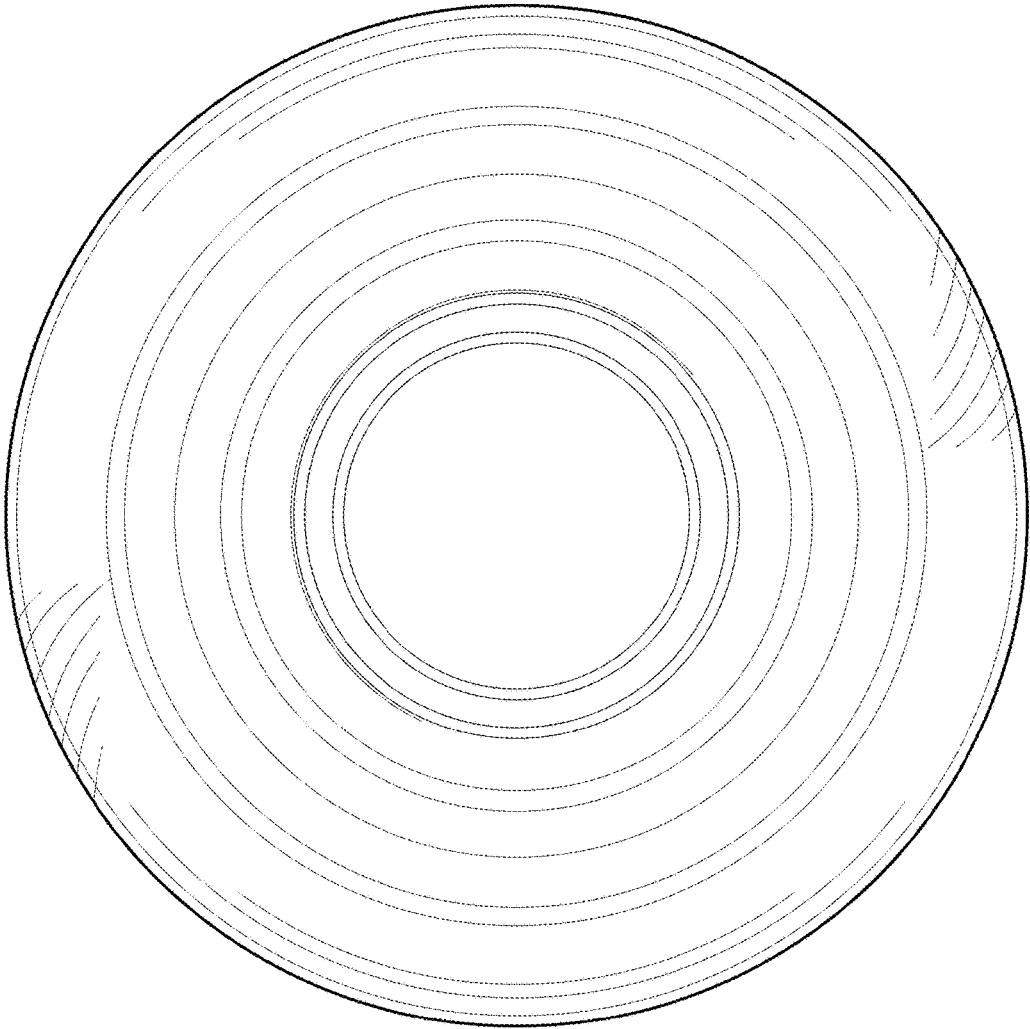


FIG. 3

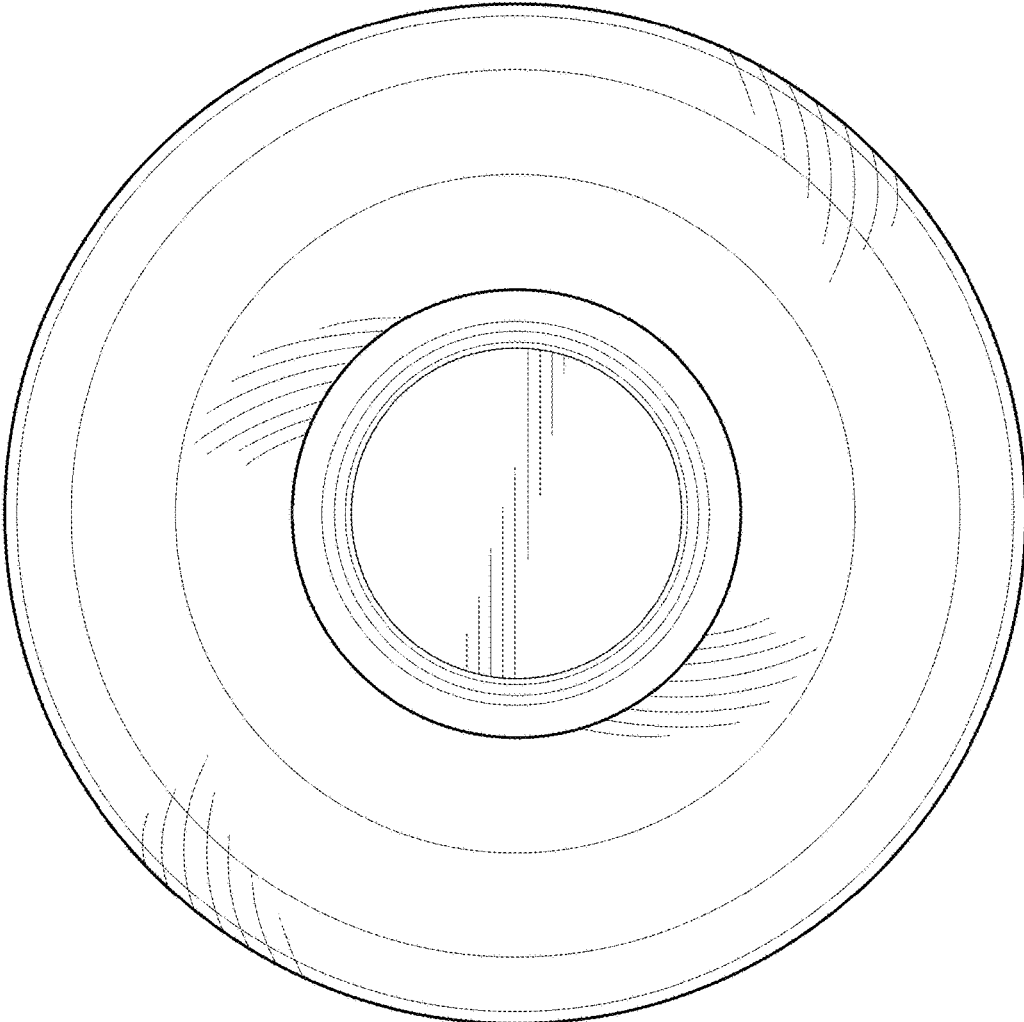


FIG. 4