



US00D759895S

(12) **United States Design Patent**
Wawoe

(10) **Patent No.:** **US D759,895 S**

(45) **Date of Patent:** **** Jun. 21, 2016**

(54) **COSMETIC COMPACT**

Primary Examiner — Jennifer Rivard

(71) Applicant: **MAKE-UP DESIGNORY**, Valencia, CA (US)

(74) *Attorney, Agent, or Firm* — Duane Morris LLP; Manita Rawat

(72) Inventor: **Pascual Wawoe**, Burbank, CA (US)

(73) Assignee: **MAKE-UP DESIGNORY**, Valencia, CA (US)

(57) **CLAIM**

The ornamental design for a cosmetic compact, as shown and described.

(**) Term: **15 Years**

(21) Appl. No.: **29/530,671**

DESCRIPTION

(22) Filed: **Jun. 18, 2015**

(51) **LOC (10) Cl.** **28-03**

(52) **U.S. Cl.**
USPC **D28/78**

(58) **Field of Classification Search**
USPC D28/76–84
CPC A45D 33/00–33/003; A45D 33/006;
A45D 33/008; A45D 33/02; A45D 33/025;
A45D 33/06–33/10; A45D 33/16; A45D
33/18; A45D 33/20; A45D 33/22; A45D
33/24; A45D 33/26; A45D 33/28; A45D
40/00; A45D 40/22–40/24; A45D 40/0075
See application file for complete search history.

FIG. 1 is a perspective view of the front, right, and top of the cosmetic compact in a closed state;

FIG. 2 is a top plan view of the cosmetic compact in a closed state;

FIG. 3 is a bottom plan view of the cosmetic compact in the closed state;

FIG. 4 is a front elevation view of the cosmetic compact in the closed state;

FIG. 5 is a rear elevation view of the cosmetic compact in the closed state;

FIG. 6 is a left side elevation view of the cosmetic compact in the closed state;

FIG. 7 is a perspective view of the front, right, and top of the cosmetic compact in the open state;

FIG. 8 is a top plan view of the cosmetic compact in the open state;

FIG. 9 is a bottom plan view of the cosmetic compact in the open state;

FIG. 10 is a front elevation view of the cosmetic compact in the open state;

FIG. 11 is rear elevation view of the cosmetic compact in the open state; and,

FIG. 12 is a left side elevation view of the cosmetic compact in the open state.

The broken lines shown in the drawings illustrate a portion of the cosmetic compact and form no part of the claimed design.

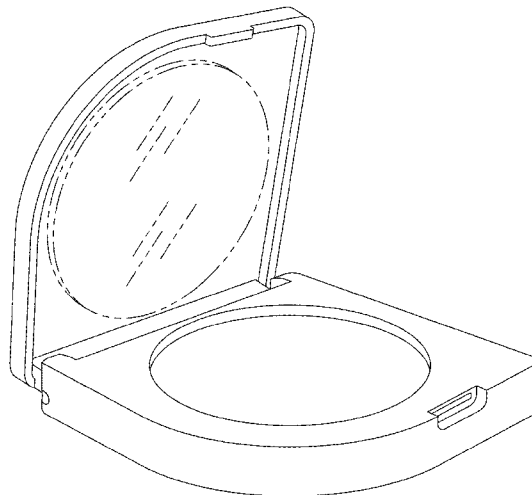
(56) **References Cited**

U.S. PATENT DOCUMENTS

D303,163	S	*	8/1989	Bakic	D28/78
D303,581	S	*	9/1989	Bakic	D28/78
D306,503	S	*	3/1990	Bakic	D28/78
D355,486	S	*	2/1995	Ikeda	D28/78
D517,733	S	*	3/2006	Tsai	D28/78
D578,710	S	*	10/2008	Genovese	D28/78
D579,608	S	*	10/2008	Burrow	D28/78
D653,397	S	*	1/2012	de Lima Paschoal	D28/83
D655,045	S	*	2/2012	Paschoal	D28/83
D735,947	S	*	8/2015	Reyes	D28/79
D741,018	S	*	10/2015	Tsai	D28/78

* cited by examiner

1 Claim, 12 Drawing Sheets



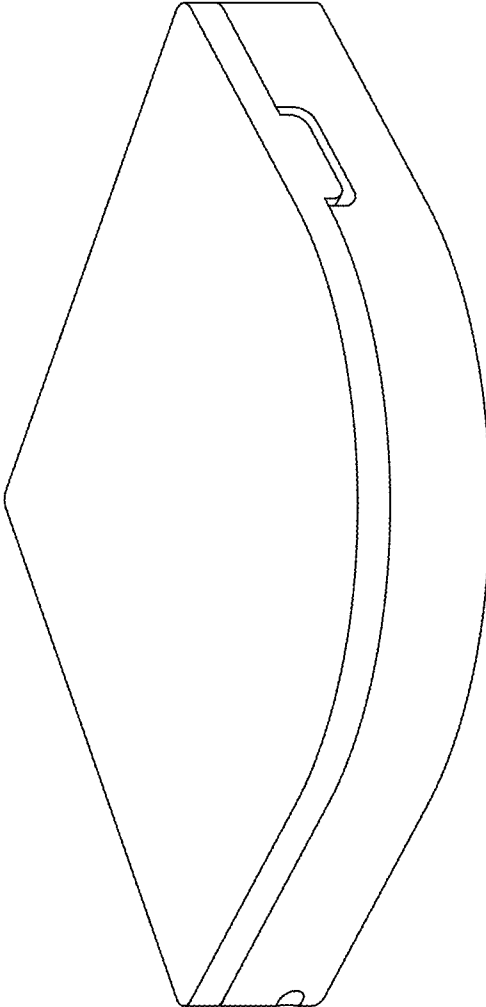


FIG. 1

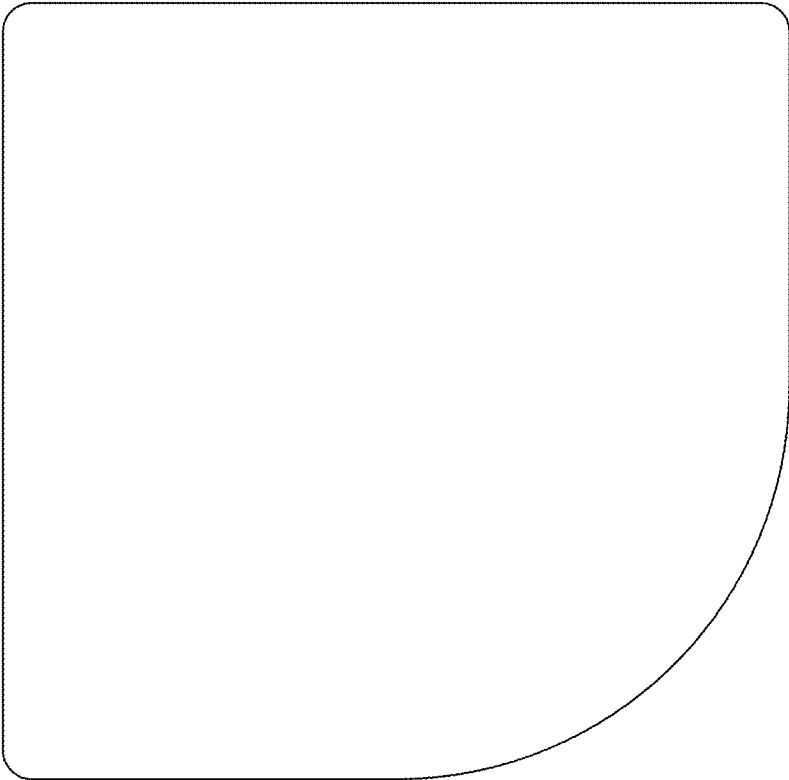


FIG. 2

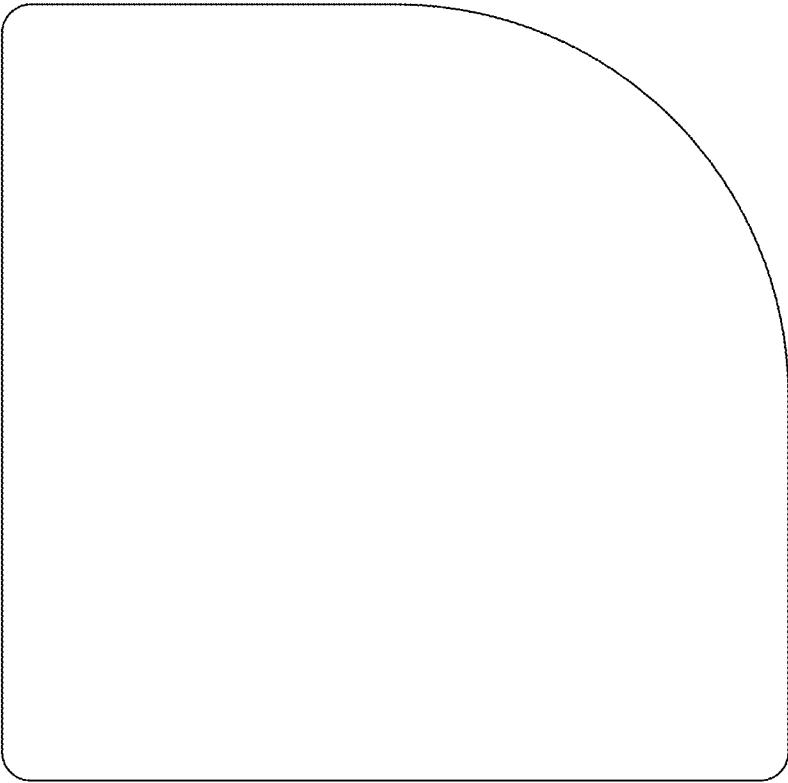


FIG. 3

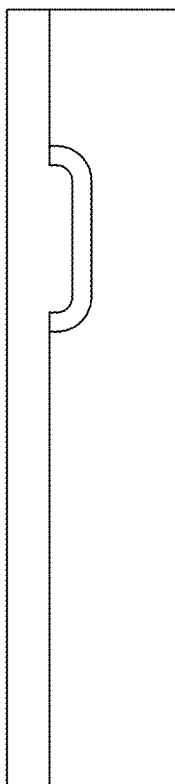


FIG. 4

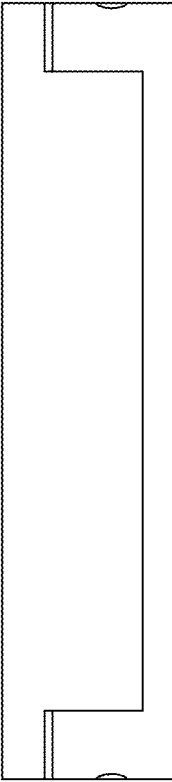


FIG. 5

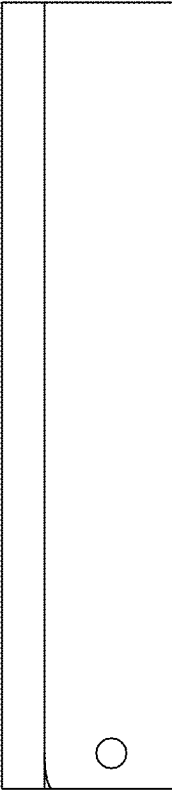


FIG. 6

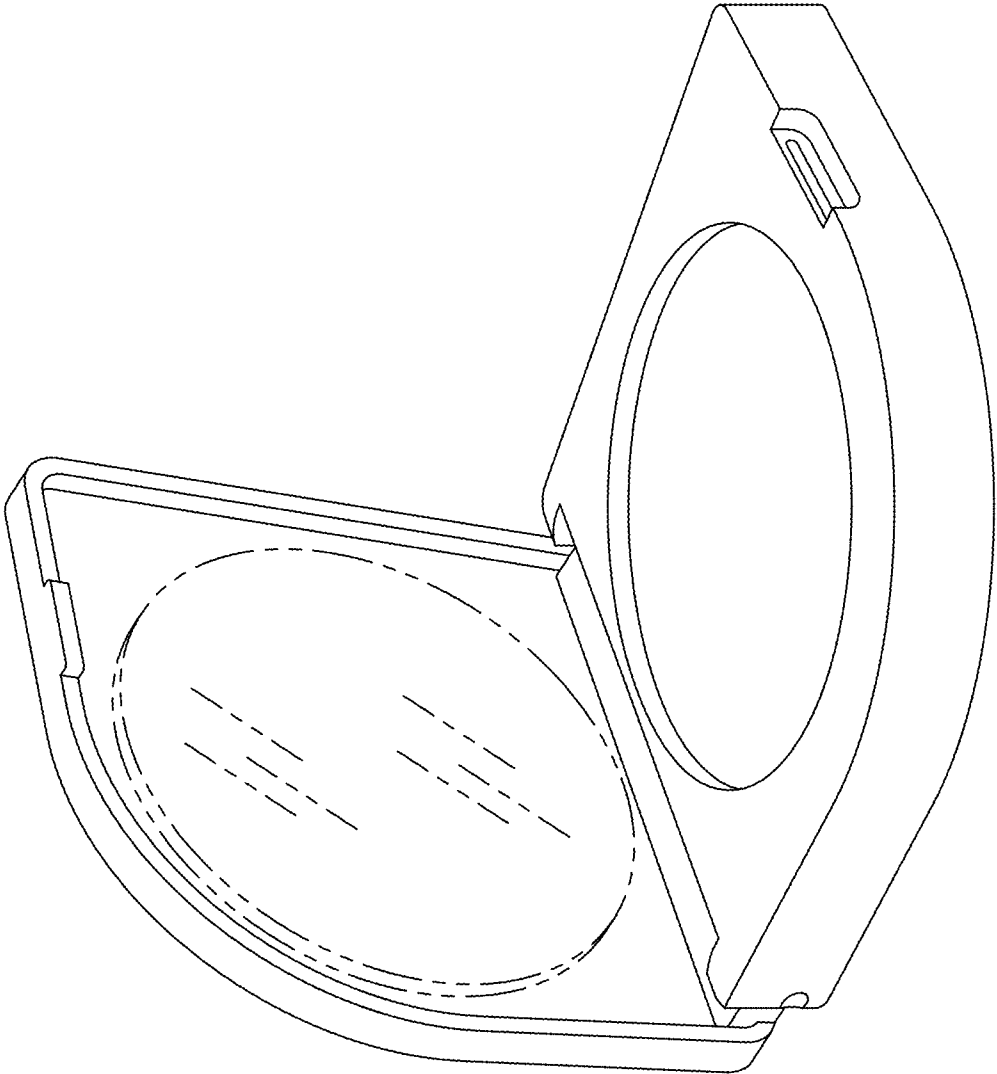


FIG. 7

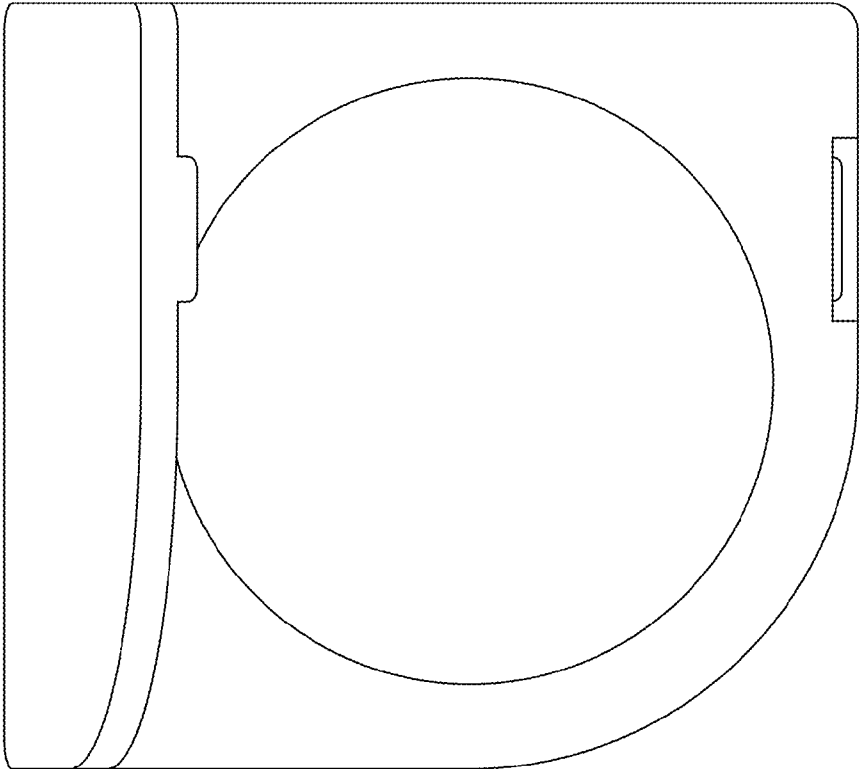


FIG. 8

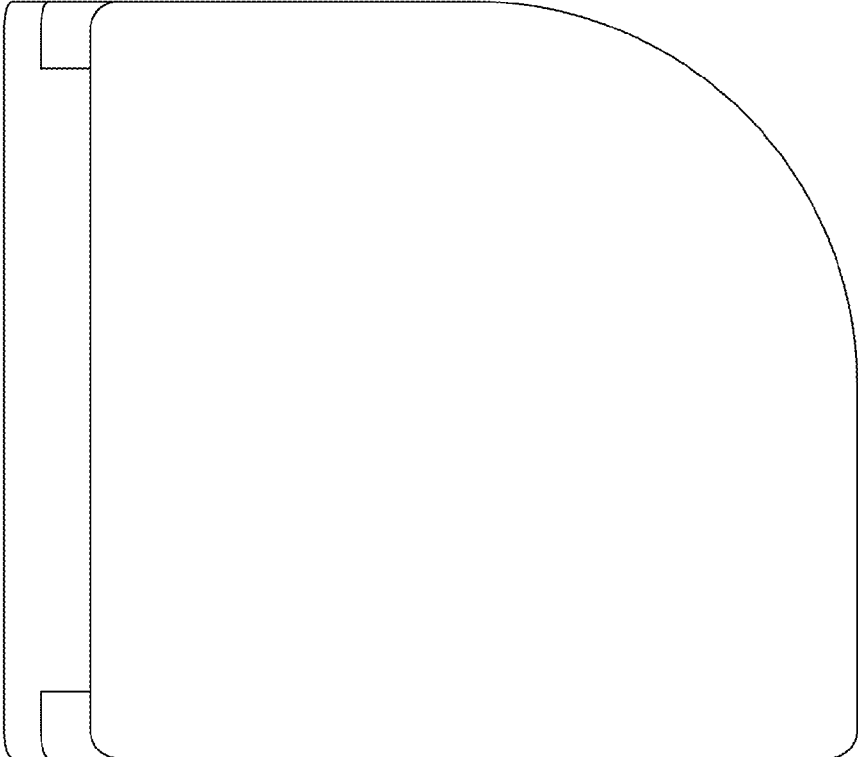


FIG. 9

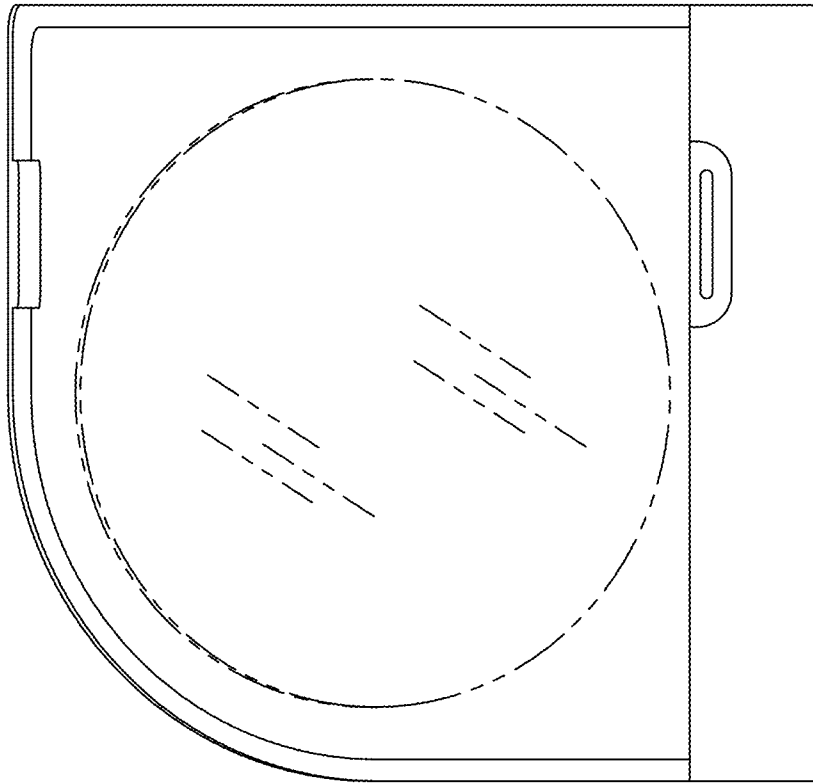


FIG. 10

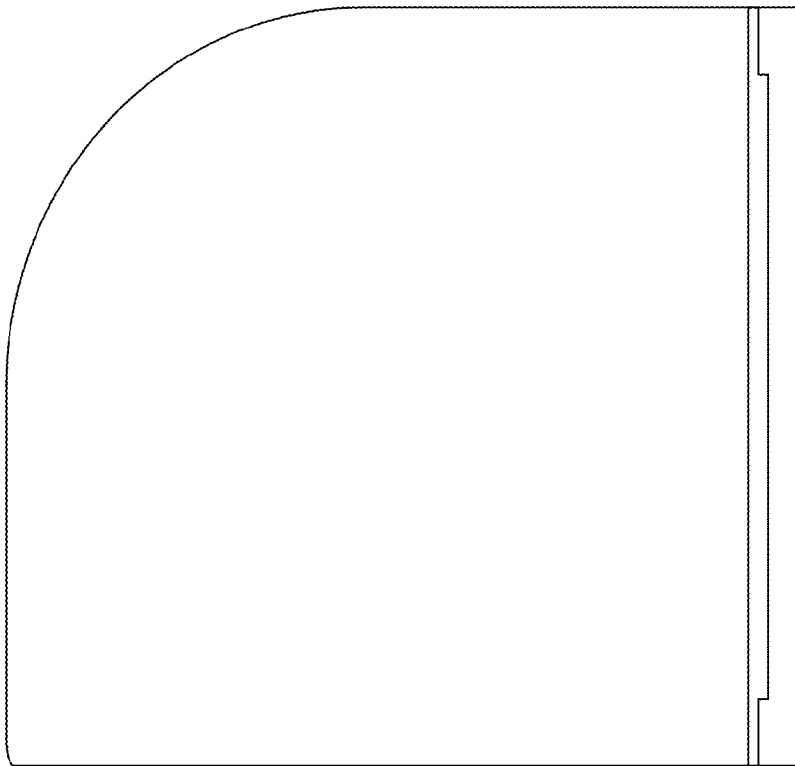


FIG. 11

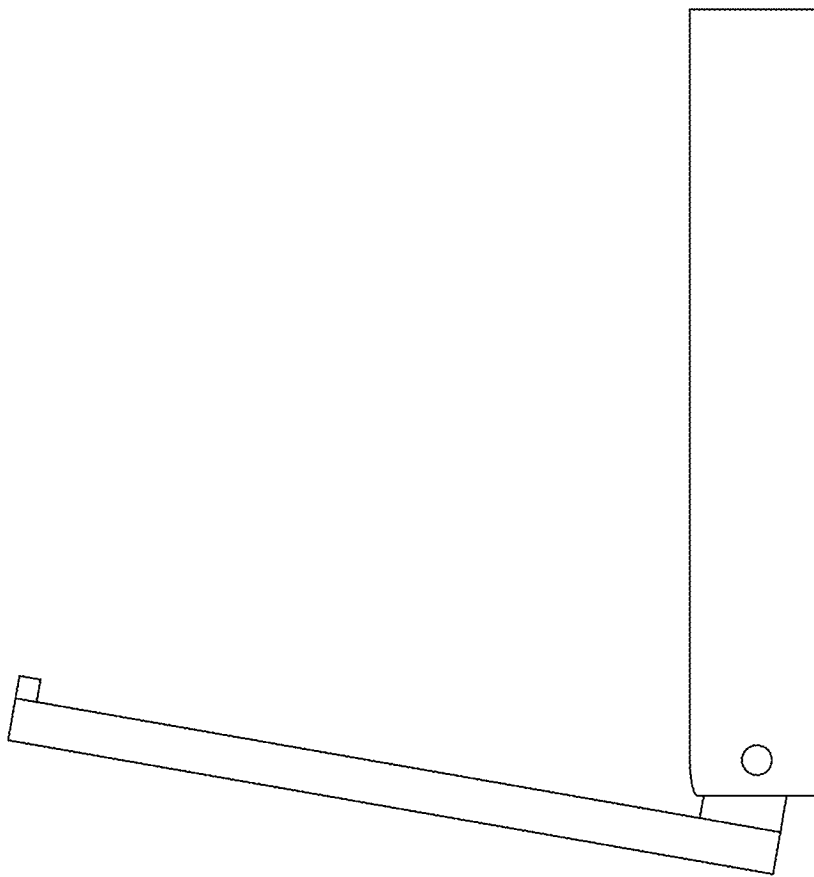


FIG. 12