

[54] BAG PACK

[75] Inventor: Terry C. Pilon, Hartsville, S.C.

[73] Assignee: Sonoco Products Company, Hartsville, S.C.

[**] Term: 14 Years

[21] Appl. No.: 623,886

[22] Filed: Jun. 25, 1984

[52] U.S. Cl. D9/305

[58] Field of Search 206/554, 526, 494; D9/305, 415; 383/8, 9, 903

[56] References Cited

U.S. PATENT DOCUMENTS

D. 263,449	3/1982	Jarund	D9/415
3,317,037	5/1967	Russell	206/554 X
3,352,411	11/1967	Schwarzkopf	206/554
3,774,833	11/1973	Christie	229/62
4,062,170	12/1977	Orem	53/390
4,165,832	8/1979	Kuklies et al.	229/54 R
4,199,122	4/1980	Christie	248/97
4,476,979	10/1984	Reimann et al.	206/554

4,493,419 1/1985 Prader et al. 206/554

Primary Examiner—Robert C. Spangler
Attorney, Agent, or Firm—Dennison, Meserole, Pollack & Scheiner

CLAIM

[57] The ornamental design for a bag pack, as shown and described.

DESCRIPTION

FIG. 1 is a perspective view of a bag pack showing my new design, the opposite side being the same in appearance;

FIG. 2 is a perspective view of one of the bags comprising the bag pack, the opposite side being the same in appearance;

FIG. 3 is a perspective view of the bag of FIG. 2 as pulled from the bag pack with the tab portion torn away;

FIG. 4 is a perspective view of the bag expanded for use;

FIG. 5 is a side elevational view thereof; and

FIG. 6 is a top sectional view taken through the center of FIG. 5.

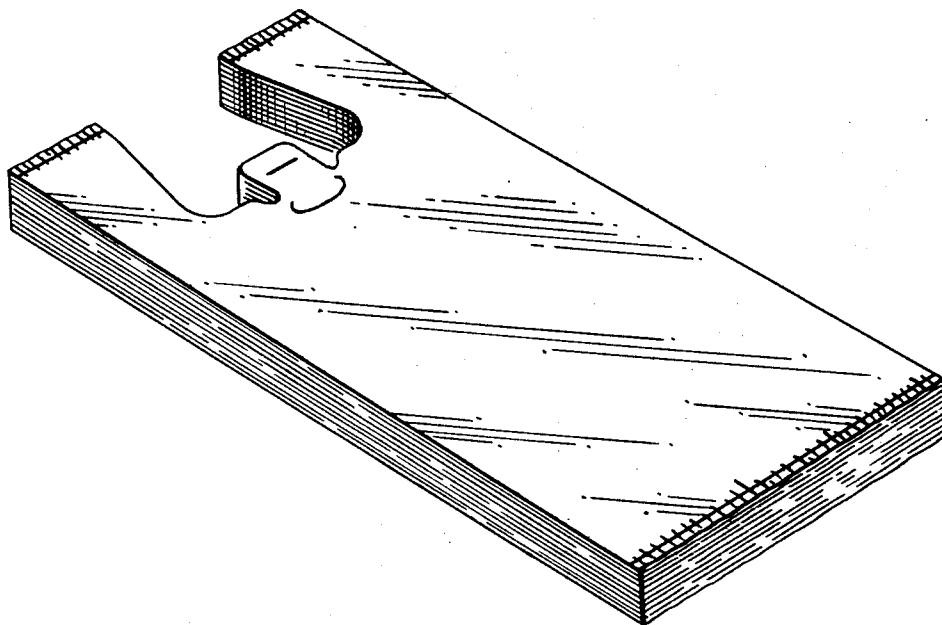


FIG. 2

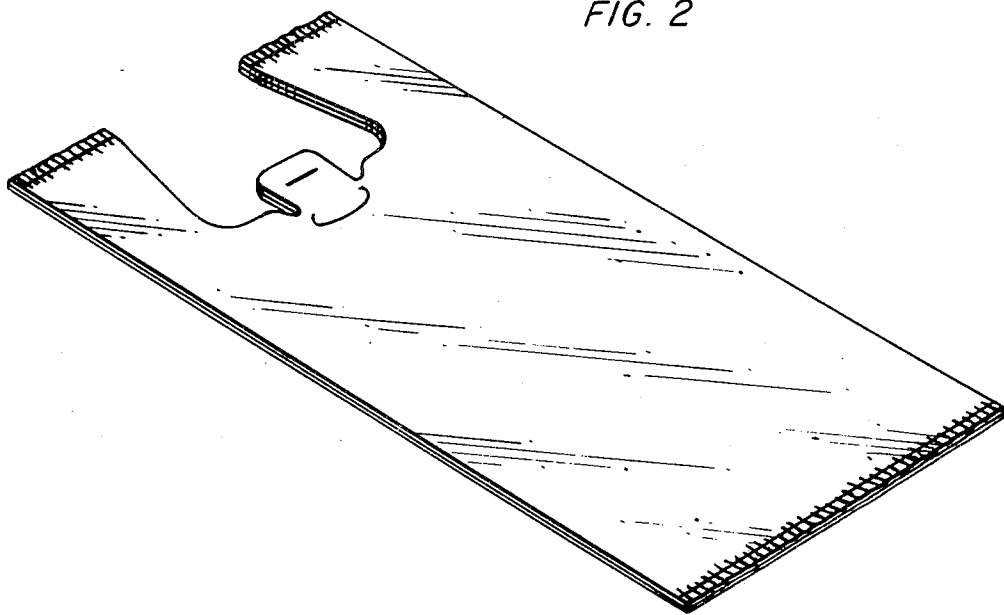
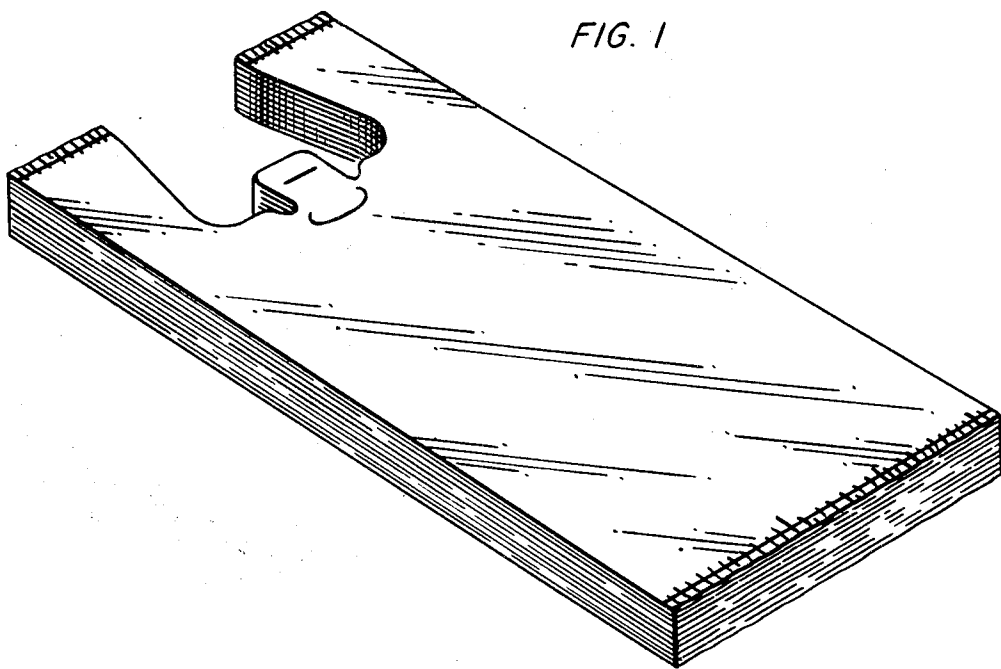


FIG. 1



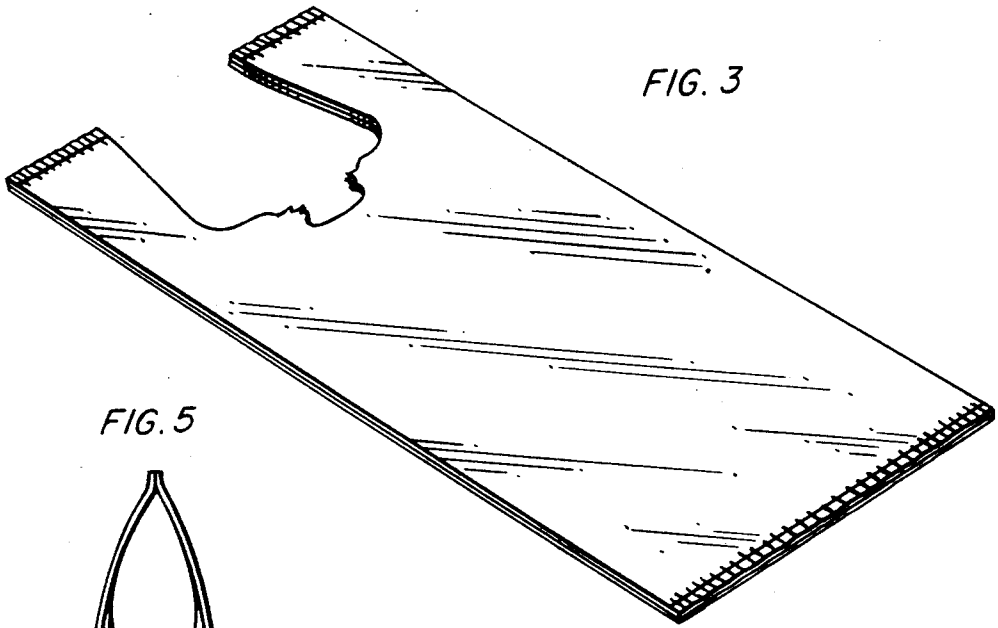


FIG. 5

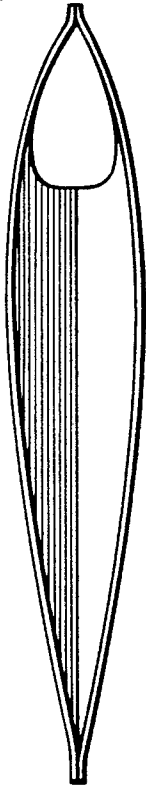


FIG. 4

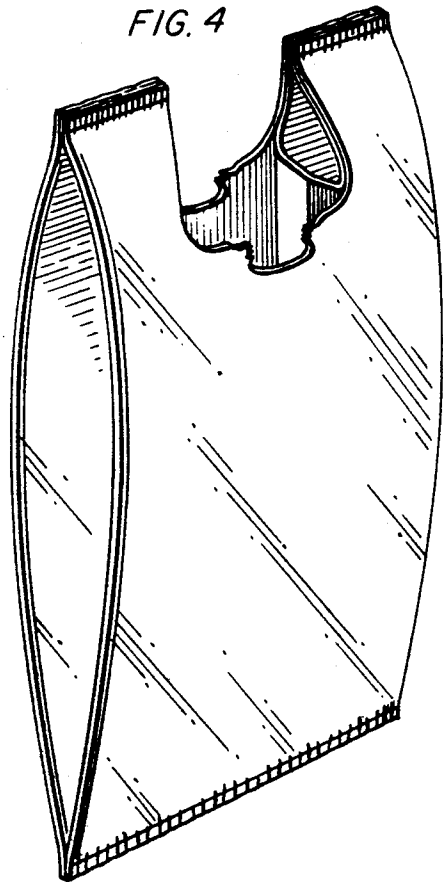


FIG. 6

