



US0D1012986S

(12) **United States Design Patent**
Dai

(10) **Patent No.:** **US D1,012,986 S**

(45) **Date of Patent:** **** Jan. 30, 2024**

- (54) **YARN HOLDER**
- (71) Applicant: **Yangjian Dai**, Nan'an (CN)
- (72) Inventor: **Yangjian Dai**, Nan'an (CN)
- (**) Term: **15 Years**
- (21) Appl. No.: **29/902,727**
- (22) Filed: **Sep. 15, 2023**
- (51) **LOC (14) Cl.** **15-09**
- (52) **U.S. Cl.**
USPC **D15/140; D15/78**
- (58) **Field of Classification Search**
USPC D15/140, 72, 66, 73, 78, 67; D21/455
CPC B23Q 5/04; B23Q 2220/006; B23Q 3/12;
B65H 2701/31; B65H 2405/45; B65H
54/543; D01H 7/16; D01H 7/10
See application file for complete search history.

- 4,010,600 A * 3/1977 Poole D01H 7/16
242/597.6
- 4,168,809 A * 9/1979 Fratturo D01H 7/16
242/597.6
- 4,173,116 A * 11/1979 Schilder D01H 7/04
57/129
- D420,445 S * 2/2000 Von Weissenfluh D24/176
- D738,937 S 9/2015 Crow

OTHER PUBLICATIONS

Yarn Holder, available in Amazon.com, date first available Aug. 1, 2023 [online], [site visited Sep. 26, 2023], Available from the internet URL:[https://www.amazon.com/Knitting-Crocheting-Crochet-Artowell-Original/dp/B0C94NNJ88/ref=asc_df_B0C94NNJ88/?tag=hyprod-20&linkCode=df0&hvadid=663422616173&hvpos=&\(Year:2023\)*](https://www.amazon.com/Knitting-Crocheting-Crochet-Artowell-Original/dp/B0C94NNJ88/ref=asc_df_B0C94NNJ88/?tag=hyprod-20&linkCode=df0&hvadid=663422616173&hvpos=&(Year:2023)*)

* cited by examiner

Primary Examiner — Calvin E Vansant
Assistant Examiner — Eidiol Ghigliotty Torres
(74) *Attorney, Agent, or Firm* — George D. Morgan

(56) **References Cited**

U.S. PATENT DOCUMENTS

- 2,024,584 A * 12/1935 Kuwada D01H 7/16
242/571.5
- 2,236,178 A * 3/1941 Kennedy D01H 7/16
242/597.6
- 2,488,879 A * 11/1949 Pichette D01H 7/16
57/130
- 2,517,920 A * 8/1950 Peeples D01H 7/041
384/239
- 2,558,308 A * 6/1951 Miller D01H 7/06
384/603
- 3,498,554 A * 3/1970 Hare D01H 7/16
242/118
- 3,518,823 A * 7/1970 Birch D01H 7/16
57/131
- 3,534,917 A * 10/1970 Blake D01H 7/16
242/597.6
- 3,544,026 A * 12/1970 Bowie D01H 7/16
242/571.5
- 3,577,723 A * 5/1971 Page D01H 7/16
242/597.5
- 3,673,783 A * 7/1972 Timbie D01H 7/10
57/88

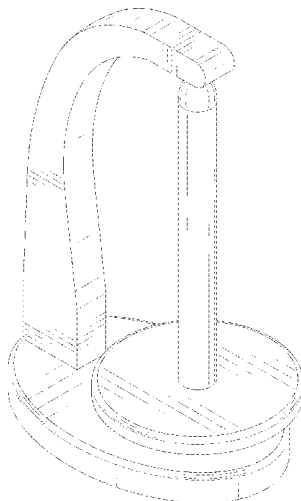
(57) **CLAIM**

The ornamental design for a yarn holder, as shown and described.

DESCRIPTION

FIG. 1 is a top perspective view of a yarn holder, showing my new design;
FIG. 2 is a bottom perspective view thereof;
FIG. 3 is a front view thereof;
FIG. 4 is a rear view thereof;
FIG. 5 is a left side view thereof;
FIG. 6 is a right side view thereof;
FIG. 7 is a top view thereof; and,
FIG. 8 is a bottom view thereof.
The broken lines in the drawings illustrate the portions of the yarn holder, which form no part of the claimed design.

1 Claim, 8 Drawing Sheets



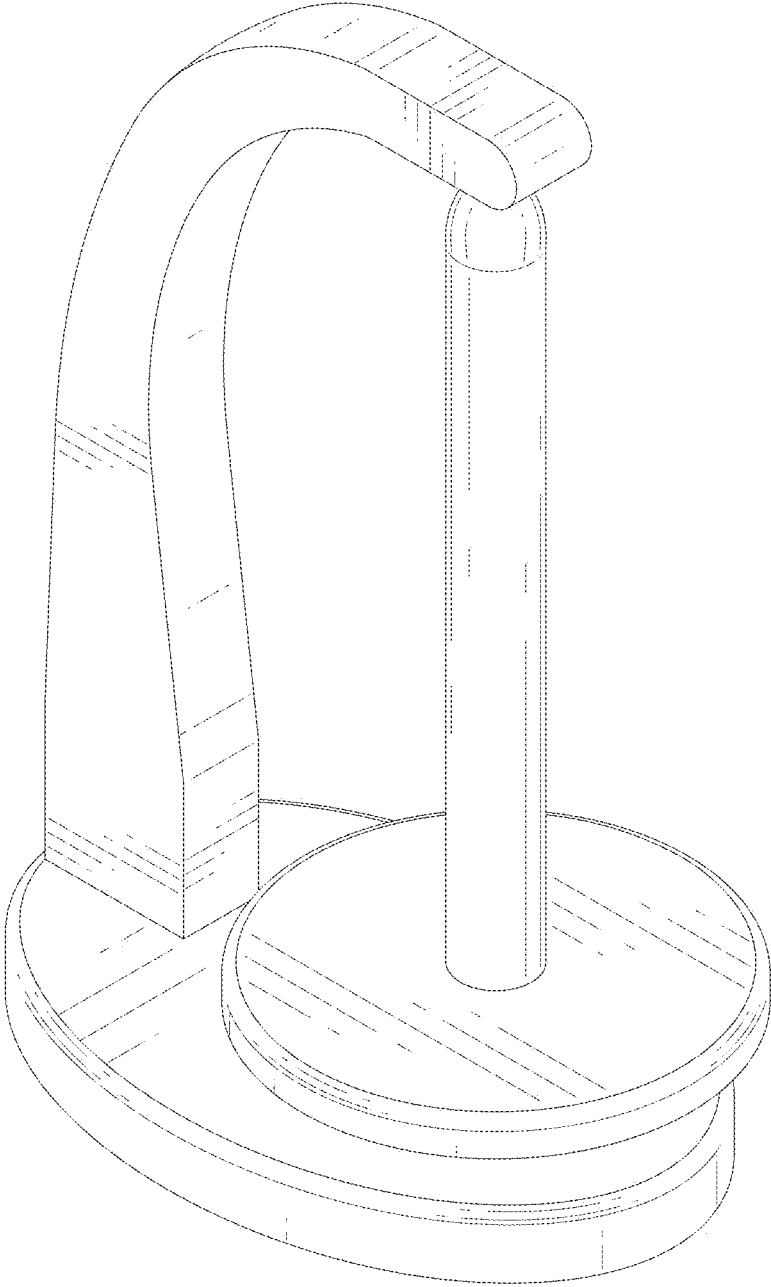


FIG. 1

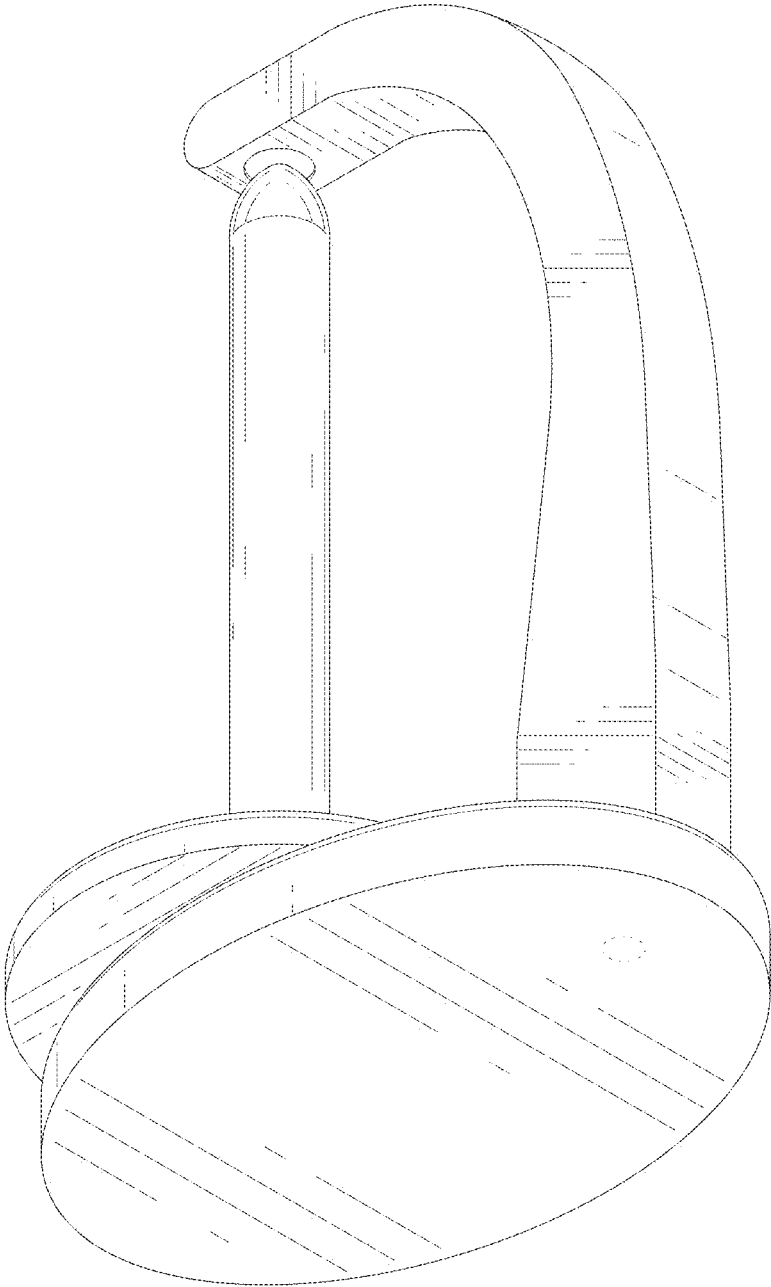


FIG. 2

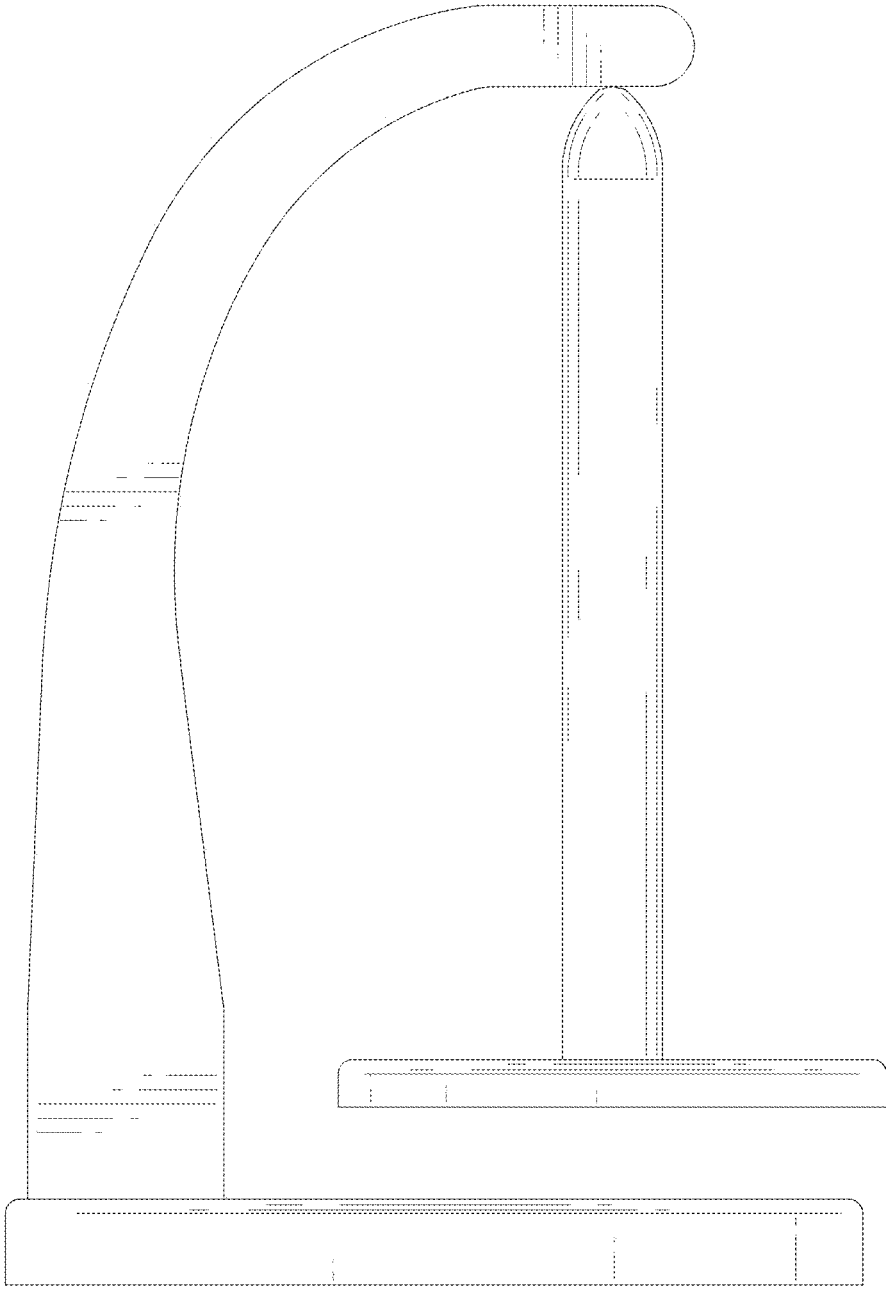


FIG. 3

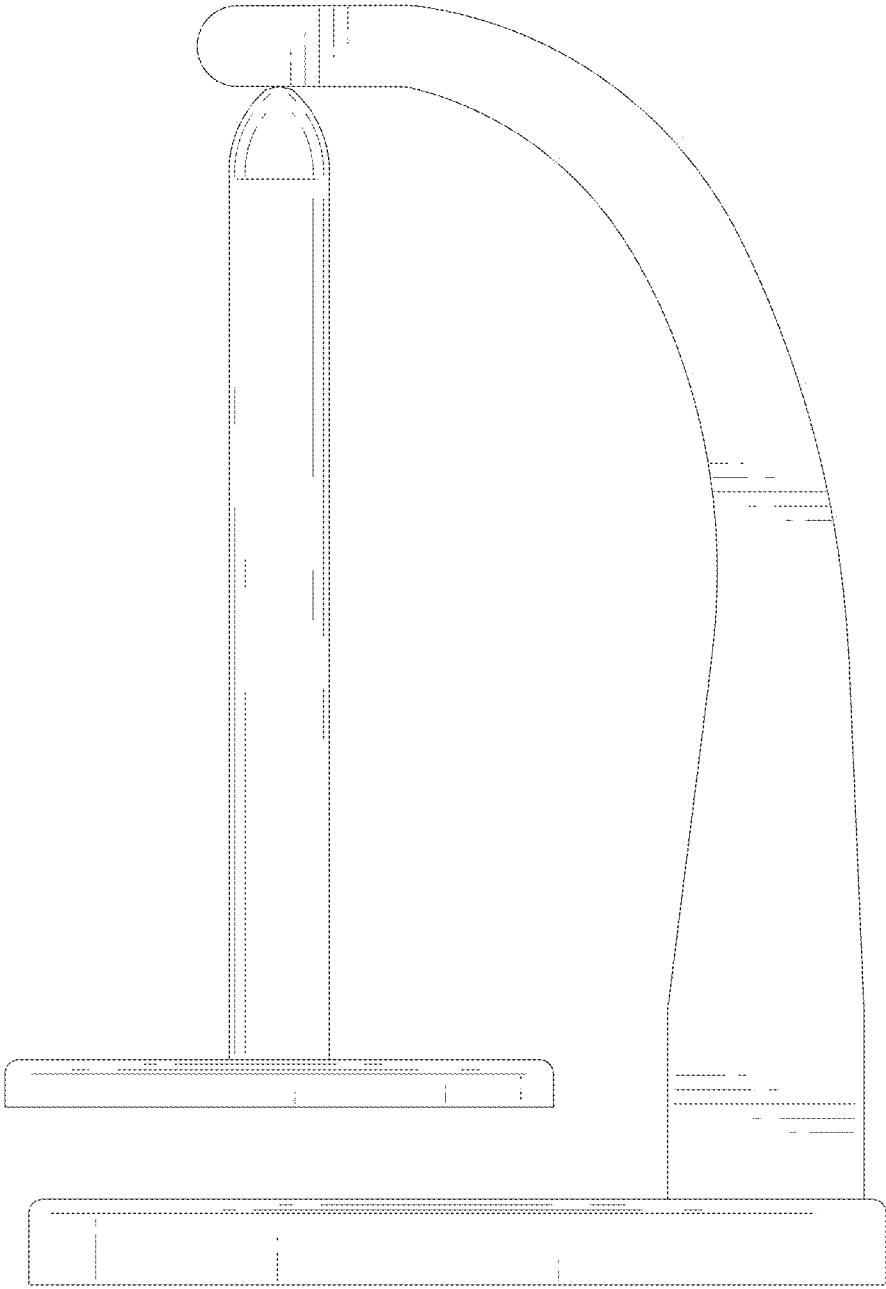


FIG. 4

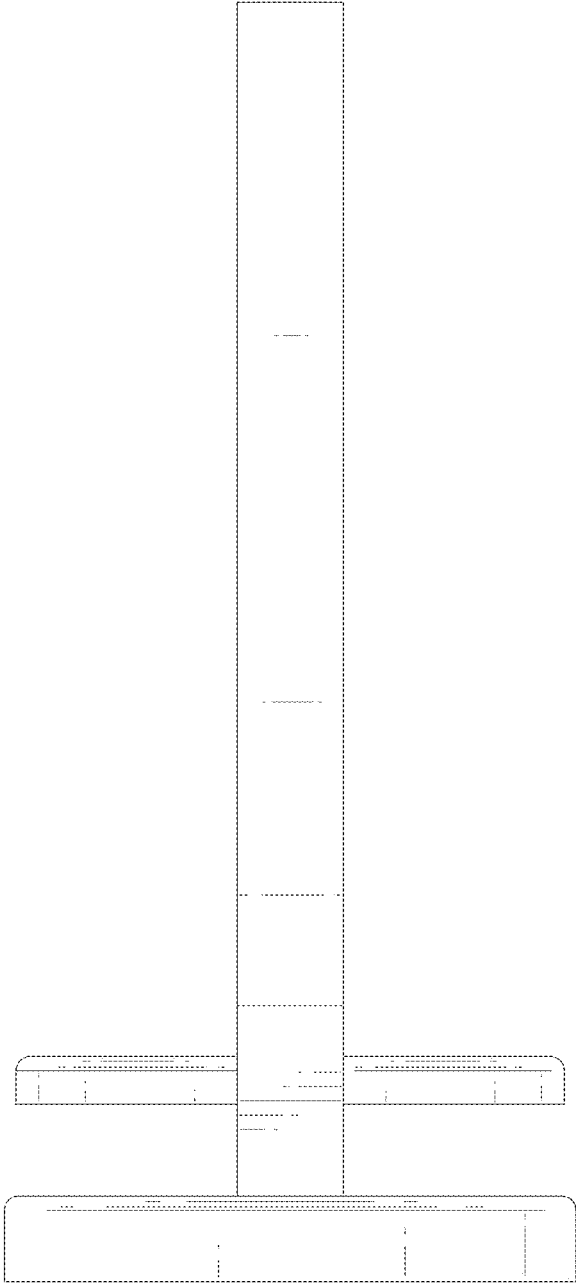


FIG. 5

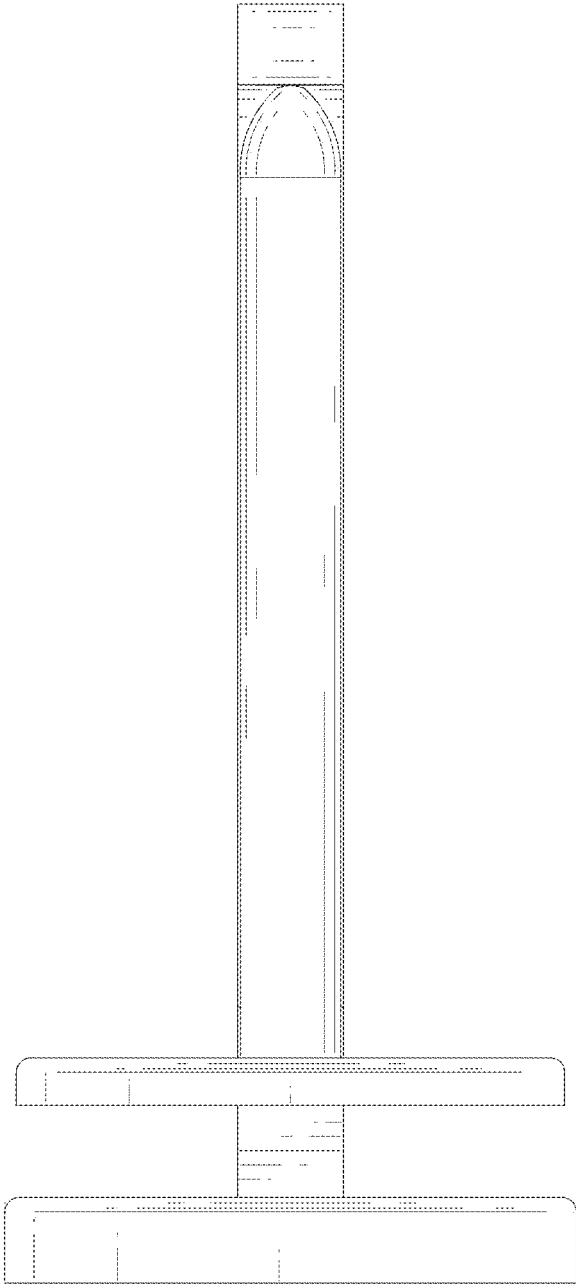


FIG. 6

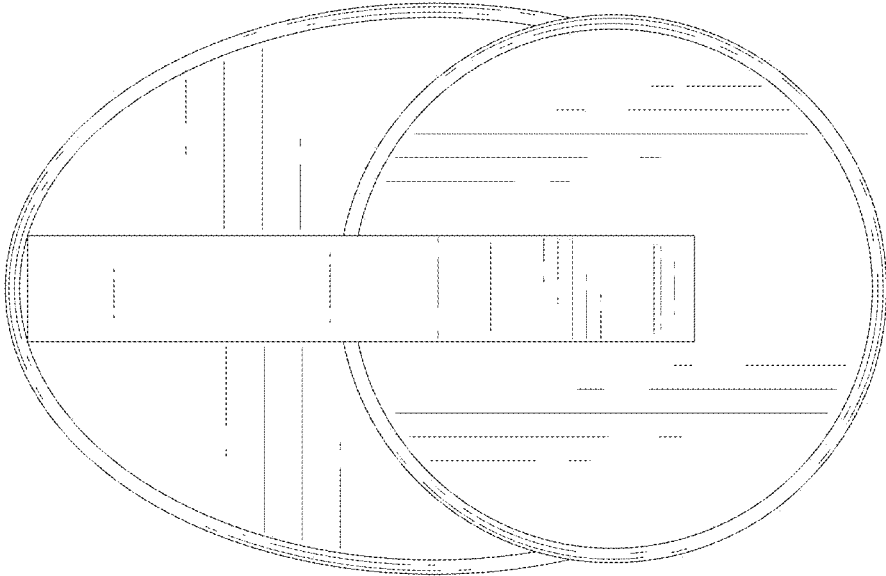


FIG. 7

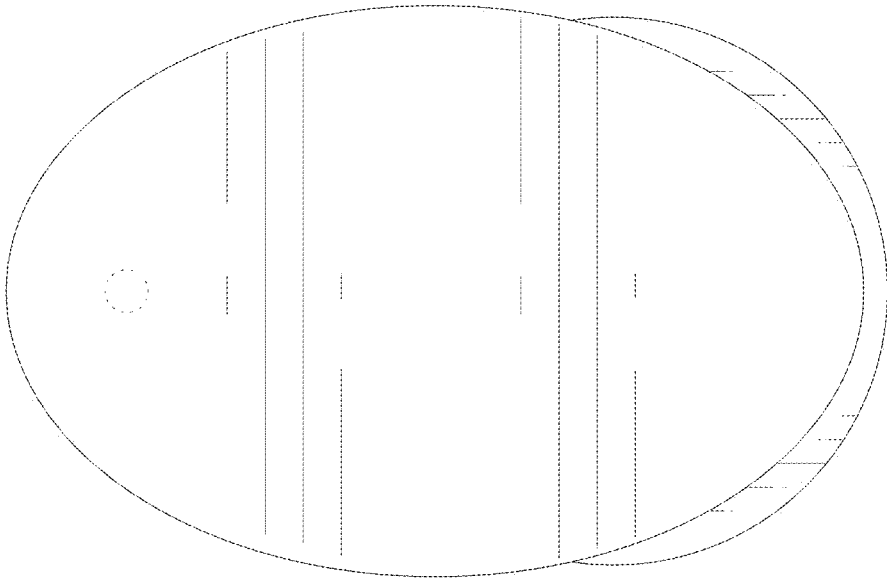


FIG. 8