



US00D405642S

United States Patent [19]

[11] Patent Number: **Des. 405,642**

Toriba

[45] Date of Patent: ****Feb. 16, 1999**

[54] **EXTRACTOR**

D. 384,540	10/1997	Joregensen	D7/319
D. 386,040	11/1997	Joergensen	D7/319
D. 386,351	11/1997	Joergensen	D7/319
D. 388,275	12/1997	Joergensen	D7/319

[75] Inventor: **Hiromichi Toriba**, Tokyo, Japan

[73] Assignee: **Kabushiki Kaisha Doutor Coffee**, Tokyo, Japan

Primary Examiner—M. N. Pandozzi
Attorney, Agent, or Firm—Flynn, Thiel, Boutell & Tanis, P.C.

[**] Term: **14 Years**

[57] CLAIM

[21] Appl. No.: **88,943**

The ornamental design of an extractor, as shown and described.

[22] Filed: **Jun. 4, 1998**

[30] Foreign Application Priority Data

DESCRIPTION

Mar. 13, 1998 [JP] Japan 10-7155

[51] **LOC (6) Cl.** **07-01**

FIG. 1 is a perspective view of an extractor showing my design;

[52] **U.S. Cl.** **D7/319; D7/317**

FIG. 2 is a front view thereof;

[58] **Field of Search** D7/665, 316, 317, D7/318, 319, 666; 222/472, 465.1

FIG. 3 is a rear view thereof;

FIG. 4 is a right side view, the left side view being a mirror image thereof;

[56] References Cited

U.S. PATENT DOCUMENTS

D. 342,414	12/1993	Jorgensen	D7/317
D. 343,333	1/1994	Jorgensen	D7/317
D. 343,760	2/1994	Lin	D7/318
D. 372,627	8/1996	Ireland	D7/319
D. 377,132	1/1997	Jourgensen	D7/318
D. 382,764	8/1997	Brady	D7/317

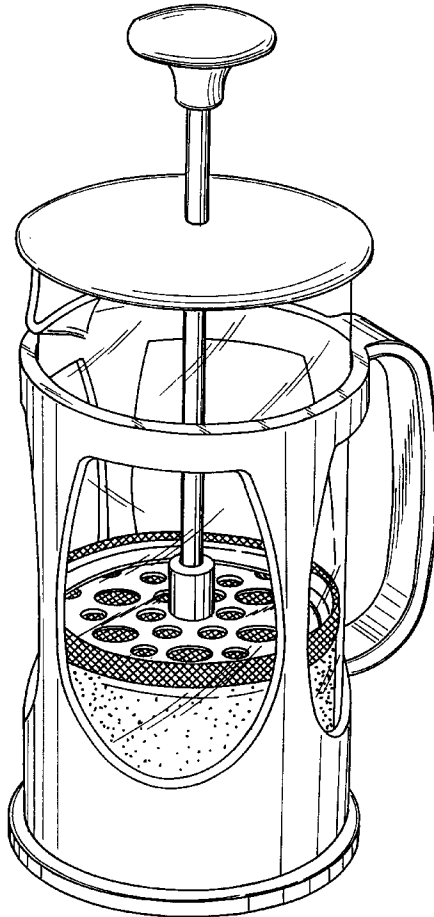
FIG. 5 is a top view thereof;

FIG. 6 is a bottom view thereof;

FIG. 7 is a cross-sectional view thereof taken along line 7—7 of FIG. 2; and,

FIG. 8 is a cross-sectional view thereof taken along line 8—8 of FIG. 6.

1 Claim, 6 Drawing Sheets



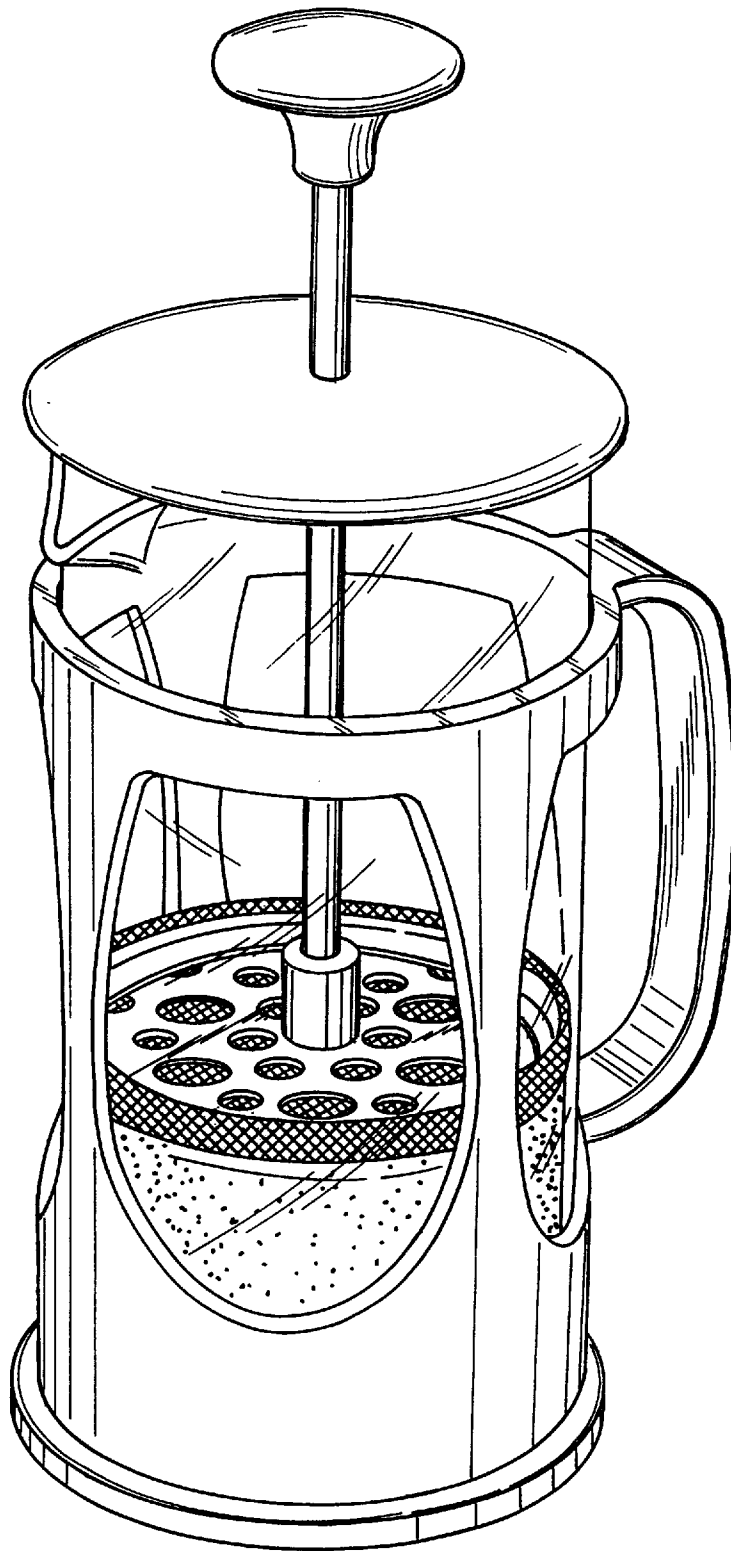


FIG. 1

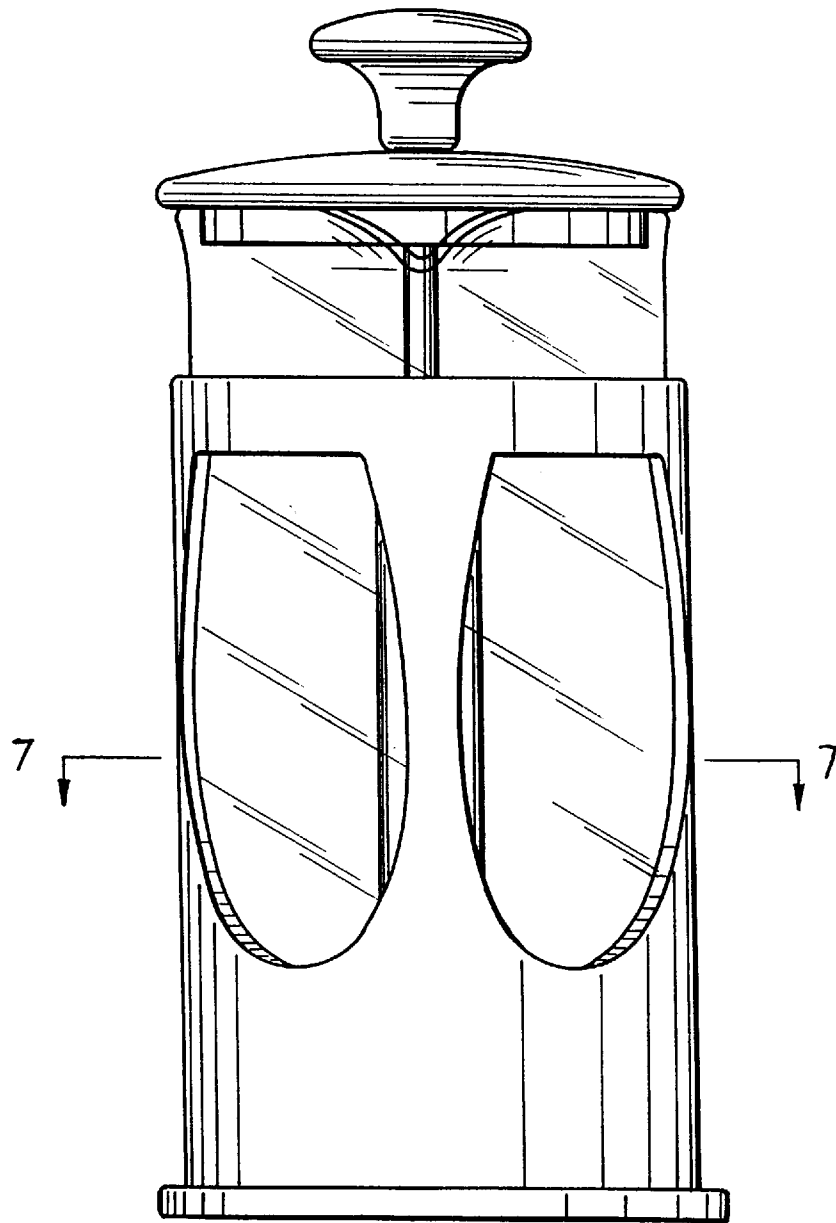


FIG. 2

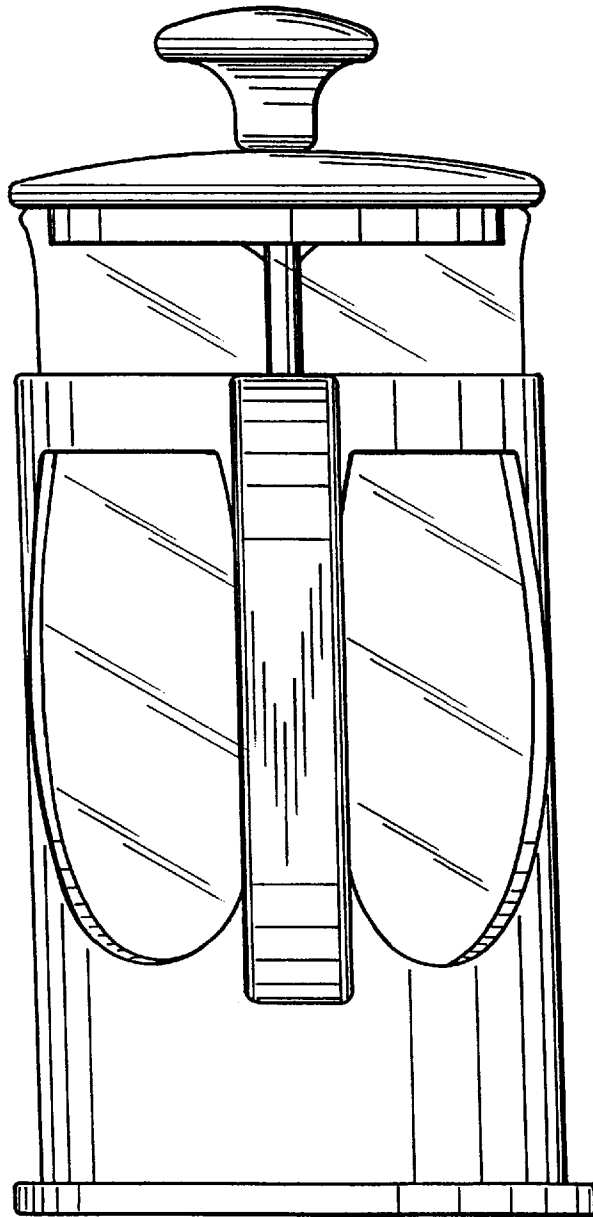


FIG. 3

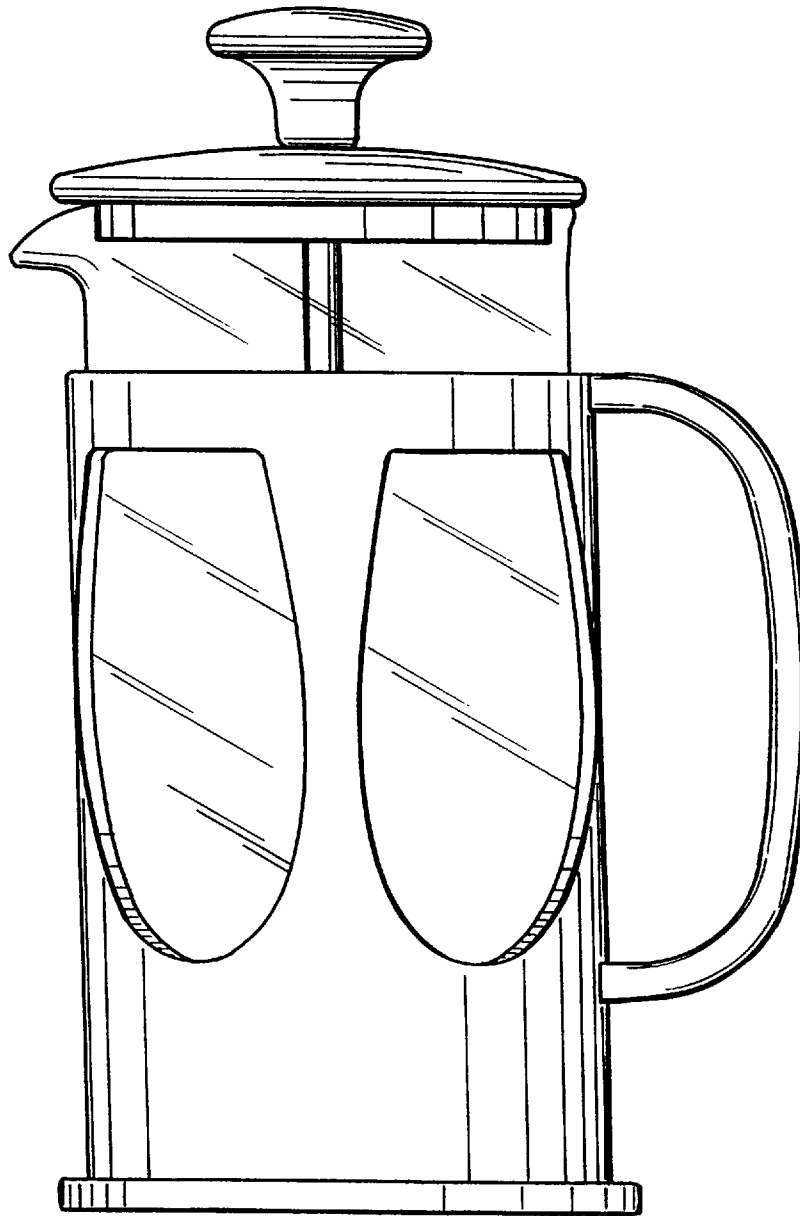


FIG. 4

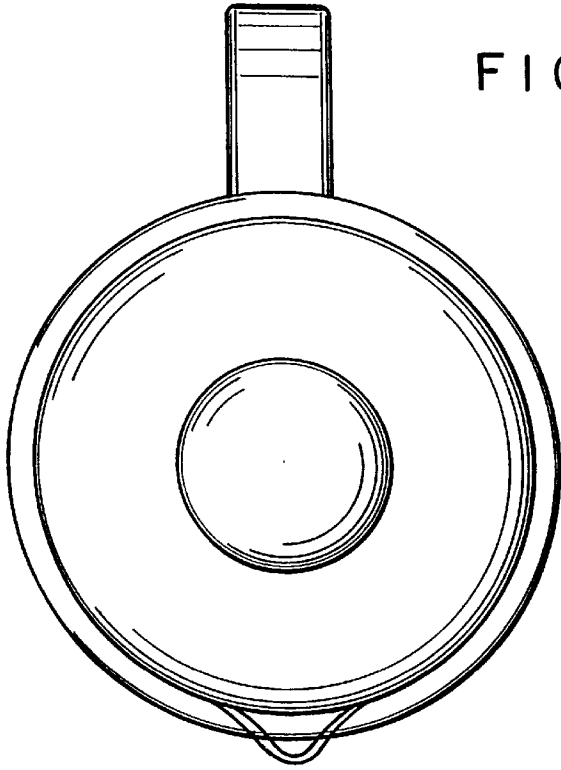


FIG. 5

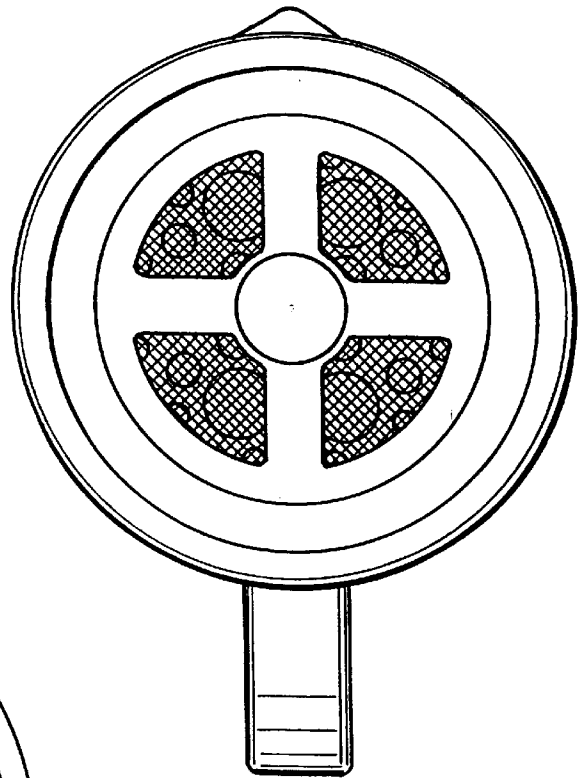


FIG. 6

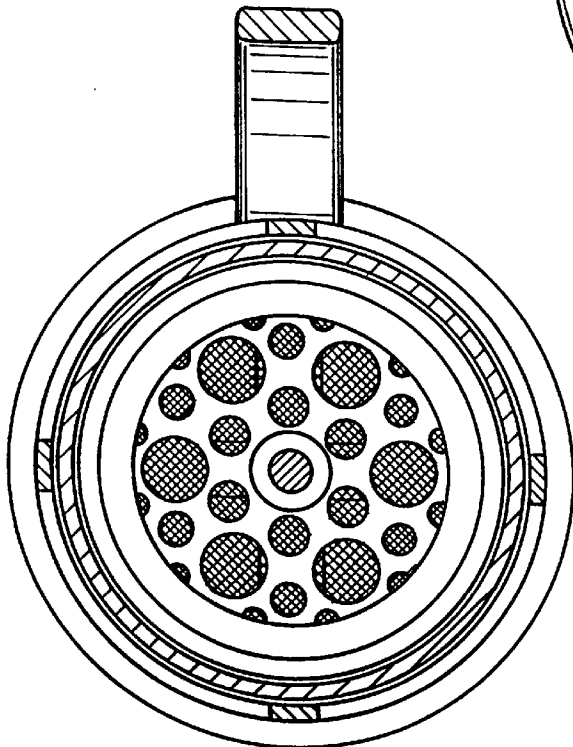


FIG. 7

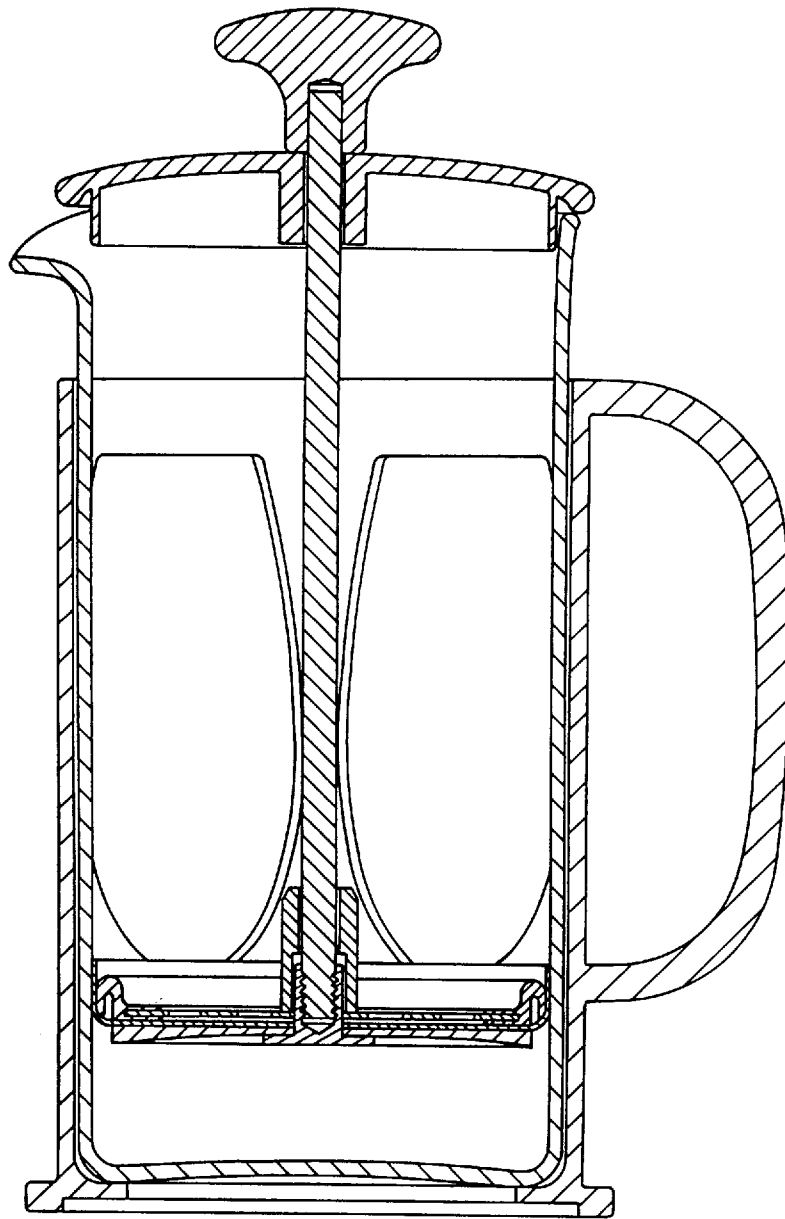


FIG. 8

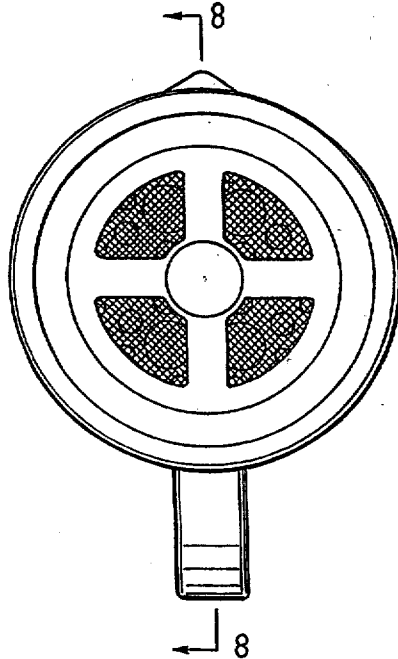
UNITED STATES PATENT AND TRADEMARK OFFICE
CERTIFICATE OF CORRECTION

PATENT NO. : D 405,642
DATED : February 16, 1999
INVENTOR(S) : Hiromichi Toriba

It is certified that error appears in the above-identified patent and that said Letters Patent is hereby corrected as shown below:

Figure 6 should be corrected as shown.

FIG. 6



Signed and Sealed this

Nineteenth Day of September, 2000

Attest:

Q. TODD DICKINSON

Attesting Officer

Director of Patents and Trademarks