

(19) World Intellectual Property Organization
International Bureau



(43) International Publication Date
2 October 2008 (02.10.2008)

PCT

(10) International Publication Number
WO 2008/116773 A3

(51) International Patent Classification:
F23D 14/06 (2006.01)

(21) International Application Number:
PCT/EP2008/053154

(22) International Filing Date: 17 March 2008 (17.03.2008)

(25) Filing Language: English

(26) Publication Language: English

(30) Priority Data:
VE2007A000018 23 March 2007 (23.03.2007) IT

(71) Applicant (for all designated States except US): **DE-FENDI ITALY S.R.L.** [IT/IT]; Via Direttissima del Conero, 29, I-60021 Camerano (IT).

(72) Inventors; and

(75) Inventors/Applicants (for US only): **PAESANI, Carlo** [IT/IT]; Via Direttissima del Conero, 73, I-60021 Camerano (IT). **EMILIANI, Girolamo Tommaso** [IT/IT]; Via Brunforte, 26, I-63023 Fermo (IT).

(74) Agent: **PIOVESANA, Paolo**; Via F. Baracca, 5/A, I-30173 Venezia Mestre (IT).

(81) Designated States (unless otherwise indicated, for every kind of national protection available): AE, AG, AL, AM, AO, AT, AU, AZ, BA, BB, BG, BH, BR, BW, BY, BZ, CA, CH, CN, CO, CR, CU, CZ, DE, DK, DM, DO, DZ, EC, EE, EG, ES, FI, GB, GD, GE, GH, GM, GT, HN, HR, HU, ID, IL, IN, IS, JP, KE, KG, KM, KN, KP, KR, KZ, LA, LC, LK, LR, LS, LT, LU, LY, MA, MD, ME, MG, MK, MN, MW, MX, MY, MZ, NA, NG, NI, NO, NZ, OM, PG, PH, PL, PT, RO, RS, RU, SC, SD, SE, SG, SK, SL, SM, SV, SY, TJ, TM, TN, TR, TT, TZ, UA, UG, US, UZ, VC, VN, ZA, ZM, ZW.

(84) Designated States (unless otherwise indicated, for every kind of regional protection available): ARIPO (BW, GH, GM, KE, LS, MW, MZ, NA, SD, SL, SZ, TZ, UG, ZM, ZW), Eurasian (AM, AZ, BY, KG, KZ, MD, RU, TJ, TM), European (AT, BE, BG, CH, CY, CZ, DE, DK, EE, ES, FI, FR, GB, GR, HR, HU, IE, IS, IT, LT, LU, LV, MC, MT, NL, NO, PL, PT, RO, SE, SI, SK, TR), OAPI (BF, BJ, CF, CG, CI, CM, GA, GN, GQ, GW, ML, MR, NE, SN, TD, TG).

Published:

- with international search report
- before the expiration of the time limit for amending the claims and to be republished in the event of receipt of amendments

(88) Date of publication of the international search report:
16 April 2009

(54) Title: IMPROVED GAS BURNER FOR COOKING APPLIANCES

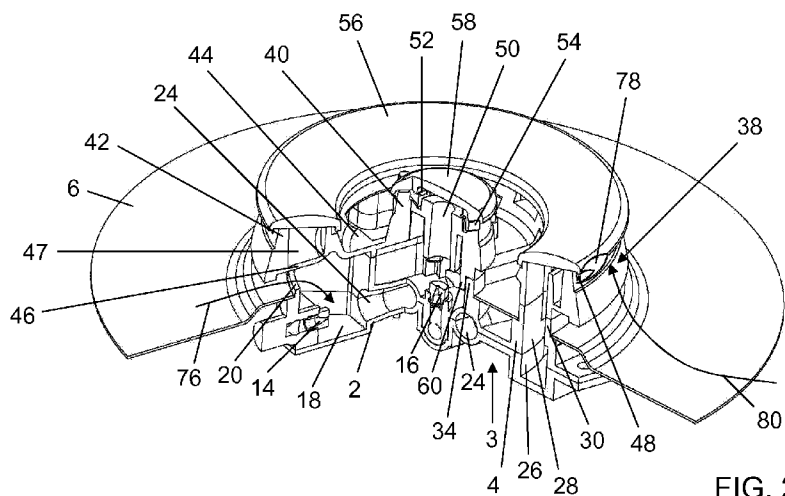


FIG. 2

(57) Abstract: An improved gas burner for cooking appliances, with an inner central portion (40) defining an inner chamber (52) provided with a central flame ring (72) and with an outer portion (42) concentric with said central portion (40) defining an outer chamber (47) provided with at least one outer flame ring (78), characterised by comprising a pair of first injectors (14) of substantially horizontal axis, symmetrically disposed about a diametrical vertical plane of said burner, said first injectors (14) being associated with respective adjacent venturi conduits (24) with substantially horizontal parallel axes, feeding said outer portion (42) with a gas/primary air mixture to generate said outer flame ring (78), said adjacent conduits (24) being spaced apart to define a space within which a second injector (16) of vertical axis is disposed facing a venturi conduit (50) of vertical axis feeding said inner central portion (40) with a gas/primary air mixture to generate said central flame ring (72).



WO 2008/116773 A3

INTERNATIONAL SEARCH REPORT

International application No
PCT/EP2008/053154

A. CLASSIFICATION OF SUBJECT MATTER
INV. F23D14/06

According to International Patent Classification (IPC) or to both national classification and IPC

B. FIELDS SEARCHED

Minimum documentation searched (classification system followed by classification symbols)
F23D

Documentation searched other than minimum documentation to the extent that such documents are included in the fields searched

Electronic data base consulted during the international search (name of data base and, where practical, search terms used)

EPO-Internal

C. DOCUMENTS CONSIDERED TO BE RELEVANT

Category*	Citation of document, with indication, where appropriate, of the relevant passages	Relevant to claim No.
Y	US 5 704 778 A (HSIEH MEI-CHANG [TW]) 6 January 1998 (1998-01-06) cited in the application column 4, line 37 - line 64; figure 1	1-9, 11-19
Y	EP 1 120 603 A (SOURDILLON SA [FR] BURNER SYSTEMS INTERNAT BSI [FR]) 1 August 2001 (2001-08-01) cited in the application paragraphs [0018], [0028] - [0030], [0042], [0043]	1-9, 11-19
Y	WO 2006/005428 A (OHG DEFENDI S R L [IT]; PAESANI CARLO [IT]; EMILIANI GIROLAMO TOMMASO) 19 January 2006 (2006-01-19) figures 5,7	7,8,13
	----- -/--	

Further documents are listed in the continuation of Box C.

See patent family annex.

* Special categories of cited documents :

- *A* document defining the general state of the art which is not considered to be of particular relevance
- *E* earlier document but published on or after the international filing date
- *L* document which may throw doubts on priority claim(s) or which is cited to establish the publication date of another citation or other special reason (as specified)
- *O* document referring to an oral disclosure, use, exhibition or other means
- *P* document published prior to the international filing date but later than the priority date claimed

- *T* later document published after the international filing date or priority date and not in conflict with the application but cited to understand the principle or theory underlying the invention
- *X* document of particular relevance; the claimed invention cannot be considered novel or cannot be considered to involve an inventive step when the document is taken alone
- *Y* document of particular relevance; the claimed invention cannot be considered to involve an inventive step when the document is combined with one or more other such documents, such combination being obvious to a person skilled in the art.
- * & * document member of the same patent family

Date of the actual completion of the international search

17 February 2009

Date of mailing of the international search report

24/02/2009

Name and mailing address of the ISA/
European Patent Office, P.B. 5818 Patentlaan 2
NL - 2280 HV Rijswijk
Tel. (+31-70) 340-2040,
Fax: (+31-70) 340-3016

Authorized officer

Mougey, Maurice

INTERNATIONAL SEARCH REPORT

International application No

PCT/EP2008/053154

C(Continuation). DOCUMENTS CONSIDERED TO BE RELEVANT

Category*	Citation of document, with indication, where appropriate, of the relevant passages	Relevant to claim No.
Y	WO 2006/077086 A (OHG DEFENDI S R L [IT]; PAESANI CARLO [IT]) 27 July 2006 (2006-07-27) page 6, line 4 - line 8; figures 1,3 -----	5,15
Y	EP 1 042 634 A (DEFENDI OFF MEC SRL [IT] OHG DEFENDI S R L [IT]) 11 October 2000 (2000-10-11) cited in the application paragraph [0011]; figure 2 -----	14,17
Y	EP 0 903 538 A (SABAF SPA [IT]) 24 March 1999 (1999-03-24) paragraph [0029]; figure 3 -----	16
A	US 5 401 164 A (YEN CHIA-HSI [TW]) 28 March 1995 (1995-03-28) cited in the application figure 2 -----	1,15
A	WO 2007/012766 A (BURNER SYSTEMS INTERNAT BSI [FR]; TROCHOU CHRISTOPHE [FR]) 1 February 2007 (2007-02-01) page 19, paragraph 4; figure 7 -----	1,5

INTERNATIONAL SEARCH REPORT

Information on patent family members

International application No

PCT/EP2008/053154

Patent document cited in search report		Publication date	Patent family member(s)	Publication date
US 5704778	A	06-01-1998	GB 2322696 A	02-09-1998
EP 1120603	A	01-08-2001	AT 300704 T	15-08-2005
			DE 60112137 D1	01-09-2005
			DE 60112137 T2	13-04-2006
			DK 1120603 T3	21-11-2005
			ES 2245970 T3	01-02-2006
			FR 2804496 A1	03-08-2001
			PT 1120603 T	30-11-2005
			US 2001010897 A1	02-08-2001
WO 2006005428	A	19-01-2006	BR PI0513197 A	29-04-2008
			CN 1985126 A	20-06-2007
			EP 1781989 A1	09-05-2007
WO 2006077086	A	27-07-2006	AT 406545 T	15-09-2008
			EP 1838997 A1	03-10-2007
			US 2008202494 A1	28-08-2008
EP 1042634	A	11-10-2000	AU 9157198 A	01-03-1999
			DE 69802211 D1	29-11-2001
			DE 69802211 T2	06-06-2002
			WO 9908046 A1	18-02-1999
			IT VE970034 A1	11-02-1999
EP 0903538	A	24-03-1999	CA 2245513 A1	23-03-1999
			CN 1313483 A	19-09-2001
			CN 1212348 A	31-03-1999
			PL 328145 A1	29-03-1999
			TR 9801888 A2	21-04-1999
			US 6035846 A	14-03-2000
US 5401164	A	28-03-1995	AU 663419 B2	05-10-1995
			AU 5078093 A	08-06-1995
			GB 2280743 A	08-02-1995
			SG 45044 A1	19-12-1997
WO 2007012766	A	01-02-2007	CA 2616133 A1	01-02-2007
			EP 1910742 A1	16-04-2008
			FR 2889293 A1	02-02-2007
			US 2008206697 A1	28-08-2008