



US00D733877S

(12) **United States Design Patent**
Rydberg et al.

(10) **Patent No.:** **US D733,877 S**

(45) **Date of Patent:** **** Jul. 7, 2015**

- (54) **ATHERECTOMY SYSTEM CARTRIDGE**
 - (71) Applicant: **Cardiovascular Systems, Inc.**, St. Paul, MN (US)
 - (72) Inventors: **Nicholas Rydberg**, Oakdale, MN (US);
Brett Ryan Johnson, Roseville, MN (US)
 - (73) Assignee: **Cardiovascular Systems, Inc.**, St. Paul, MN (US)
 - (**) Term: **14 Years**
 - (21) Appl. No.: **29/497,045**
 - (22) Filed: **Jul. 21, 2014**
 - (51) **LOC (10) Cl.** **24-02**
 - (52) **U.S. Cl.**
USPC **D24/146**
 - (58) **Field of Classification Search**
USPC D7/649; D8/93, 97, 300, 310, 311, 313;
D19/110, 115; D24/127, 130, 133,
D24/146, 147, 148
CPC B26B 3/00; B26B 1/10; B26B 5/005;
A61B 17/809; A61B 17/1617; A61B 17/3211;
A61B 5/1411; A61B 17/3417
- See application file for complete search history.

- (56) **References Cited**
U.S. PATENT DOCUMENTS
- | | | | | | |
|--------------|------|---------|------------------|-------|---------|
| 934,032 | A * | 9/1909 | Barber | | 30/287 |
| 5,931,847 | A * | 8/1999 | Bittner et al. | | 606/167 |
| D418,223 | S * | 12/1999 | Phipps et al. | | D24/133 |
| 7,024,772 | B1 * | 4/2006 | Shaver et al. | | 30/2 |
| D551,518 | S * | 9/2007 | Leuze | | D7/649 |
| D586,916 | S * | 2/2009 | Faulkner et al. | | D24/146 |
| D592,746 | S * | 5/2009 | Highley et al. | | D24/133 |
| D675,318 | S * | 1/2013 | Luk et al. | | D24/130 |
| D679,391 | S * | 4/2013 | Chinowsky et al. | | D24/127 |
| 2005/0016352 | A1 * | 1/2005 | McCorkle | | 83/880 |
| 2015/0073448 | A1 * | 3/2015 | Rydberg | | 606/159 |
| 2015/0094751 | A1 * | 4/2015 | Chen et al. | | 606/185 |
- * cited by examiner

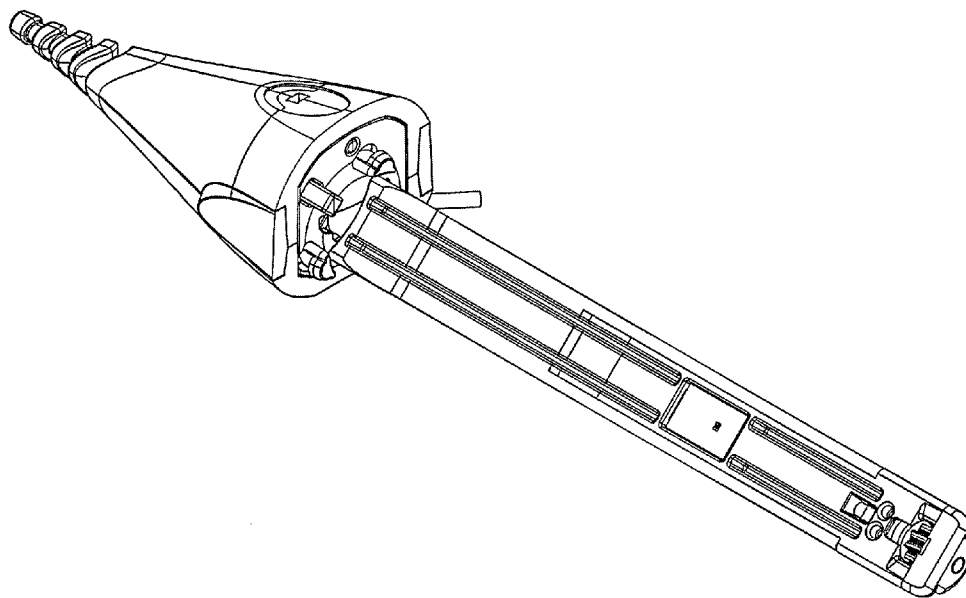
Primary Examiner — Robert M Spear
Assistant Examiner — Marissa J Cash
 (74) *Attorney, Agent, or Firm* — Winthrop & Weinstine, P.A.

(57) **CLAIM**
 The ornamental design for an atherectomy system cartridge, as shown.

DESCRIPTION

FIG. 1 is a perspective view of the atherectomy system cartridge;
 FIG. 2 is a top view;
 FIG. 3 is a bottom view;
 FIG. 4 is right side view;
 FIG. 5 is a left side view;
 FIG. 6 is a rear view; and,
 FIG. 7 is a front view.

1 Claim, 6 Drawing Sheets



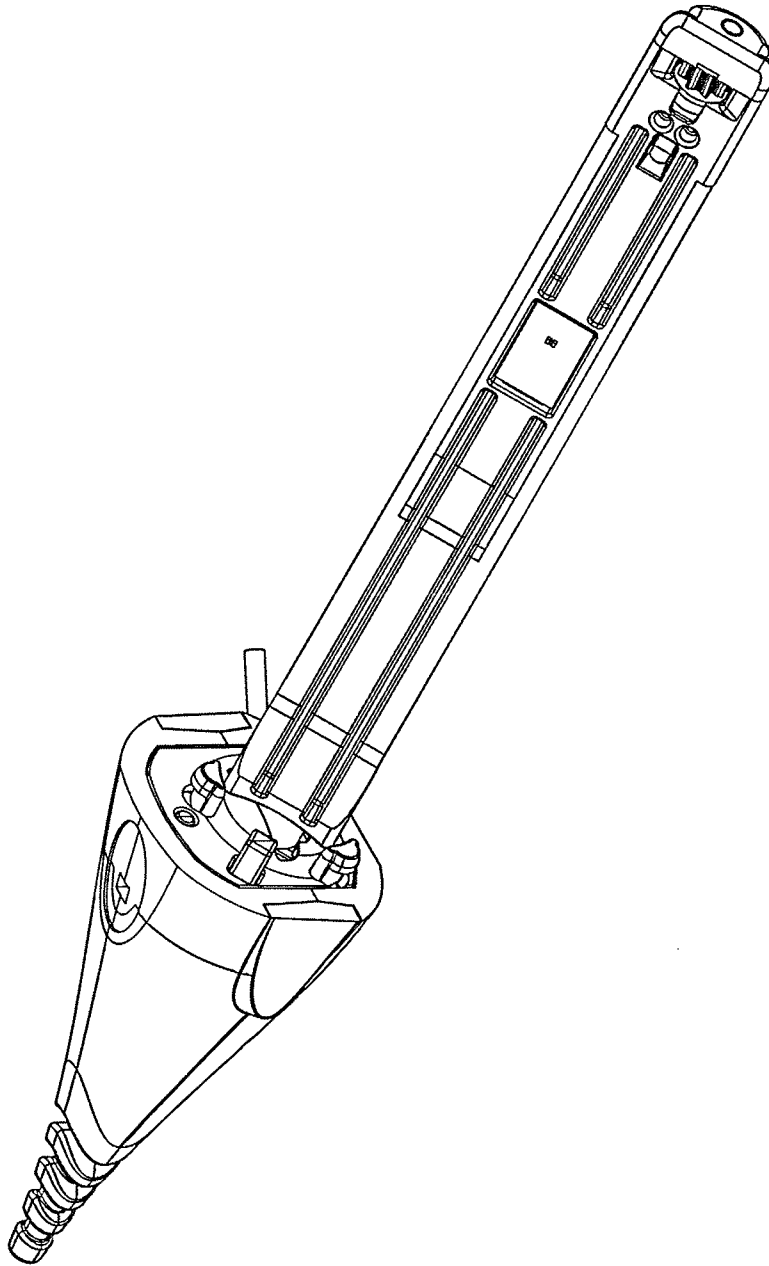


Fig. 1

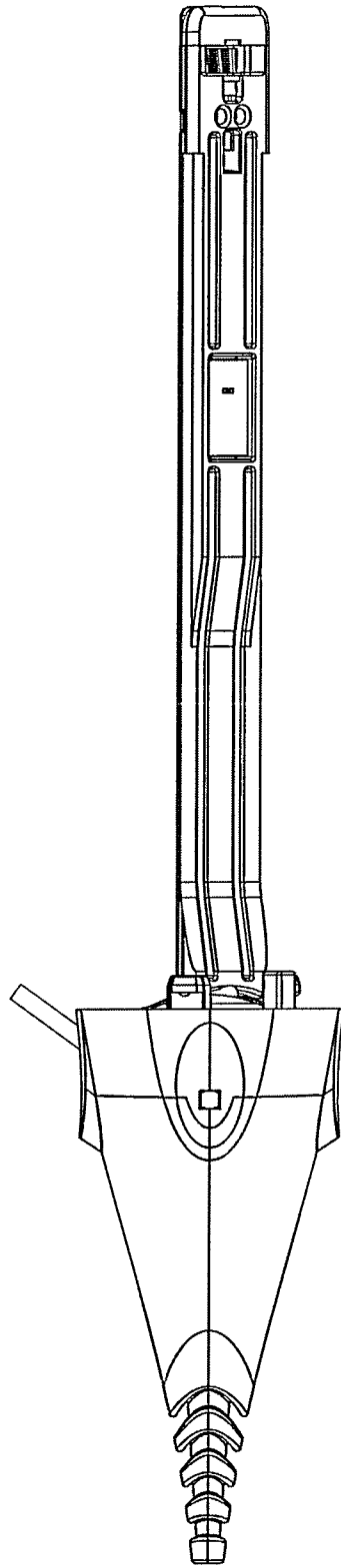


Fig. 2

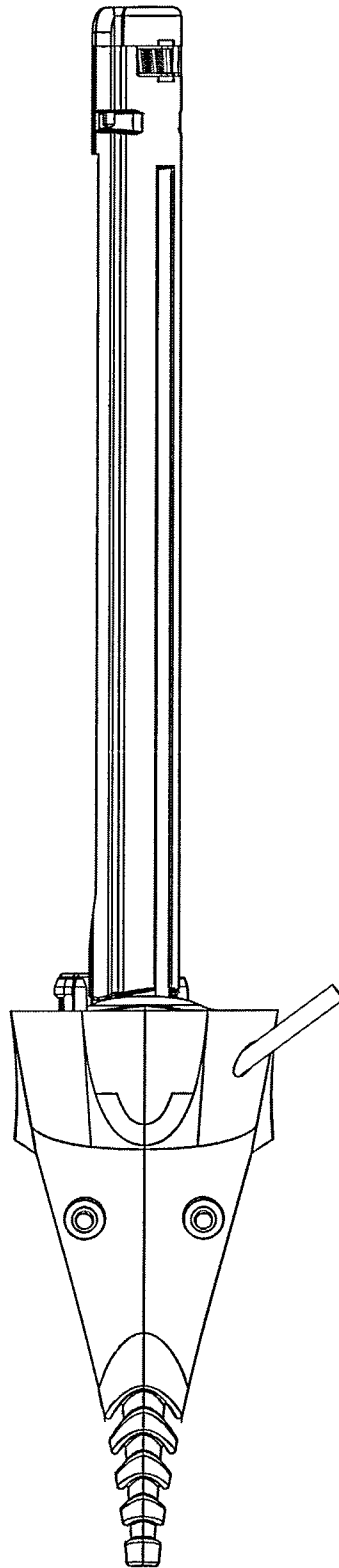


Fig. 3

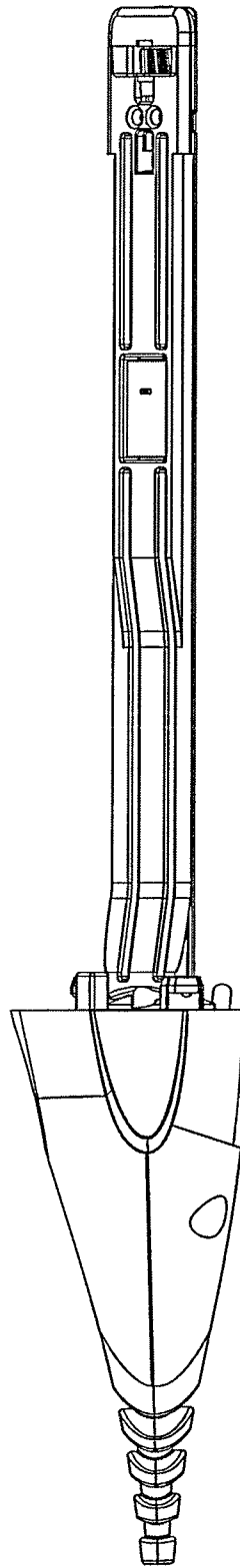


Fig. 4

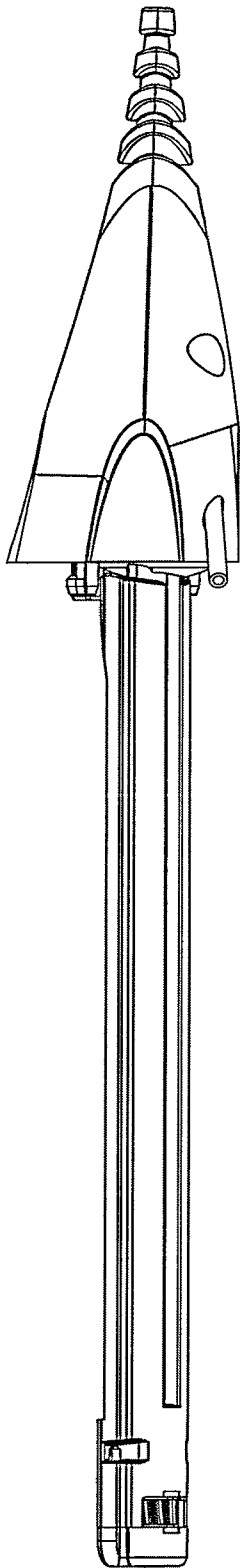


Fig. 5

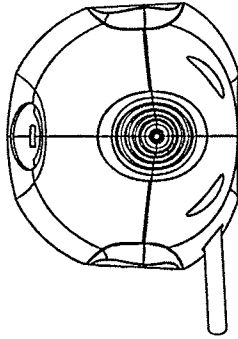


Fig. 7

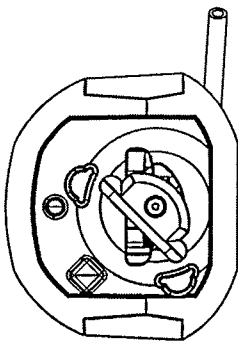


Fig. 6