



US00D708726S

(12) **United States Design Patent**  
**Gordon et al.**

(10) **Patent No.:** **US D708,726 S**

(45) **Date of Patent:** **\*\* Jul. 8, 2014**

(54) **DISPENSER HOUSING**

(71) Applicants: **William F. Gordon**, Chicago, IL (US);  
**Johnathan Kroeger**, Brooklyn, NY  
(US); **Silas Warren**, Brooklyn, NY (US)

(72) Inventors: **William F. Gordon**, Chicago, IL (US);  
**Johnathan Kroeger**, Brooklyn, NY  
(US); **Silas Warren**, Brooklyn, NY (US)

(73) Assignee: **S.C. Johnson & Son, Inc.**, Racine, WI  
(US)

(\*\*) Term: **14 Years**

(21) Appl. No.: **29/480,979**

(22) Filed: **Jan. 31, 2014**

**Related U.S. Application Data**

(62) Division of application No. 29/454,792, filed on May 14, 2013, now Pat. No. Des. 701,951, which is a division of application No. 29/397,942, filed on Jul. 22, 2011, now Pat. No. Des. 685,073.

(51) **LOC (10) Cl.** ..... **28-99**

(52) **U.S. Cl.**  
USPC ..... **D23/356**

(58) **Field of Classification Search**  
USPC ..... D23/355-369; D28/5, 6; 261/DIG. 17, 261/DIG. 42, DIG. 65, DIG. 88, DIG. 89; 392/386, 390, 394, 395; 239/34, 44, 239/53, 55, 56, 326; D26/14, 17, 98, 9, 22, D26/24; D11/131.1; D7/509, 522, 524, 537  
See application file for complete search history.

(56) **References Cited**

**U.S. PATENT DOCUMENTS**

D86,353 S 3/1932 Cordy  
D100,298 S 7/1936 Smith  
3,167,079 A 1/1965 Well

D206,463 S 12/1966 Federighi  
D280,242 S 8/1985 Burket et al.  
D307,468 S 4/1990 Booth, Jr.  
D318,912 S 8/1991 von Philipp et al.  
D319,583 S 9/1991 Halm et al.  
D322,558 S 12/1991 Halm et al.  
D341,321 S 11/1993 De Silva  
D356,037 S 3/1995 Jury

(Continued)

**FOREIGN PATENT DOCUMENTS**

EM 000126446-0001 4/2004  
EM 000305974-0001 5/2005

(Continued)

**OTHER PUBLICATIONS**

Product page of Domingos Totorra for vases from oexpoente.blogspot.com website [online] [retrieved on Feb. 21, 2012], 3 pages. Retrived from <URL: <http://oexpoente.blogspot.com/2009/07/domingos-totorra.html>>.

(Continued)

*Primary Examiner* — Sandra Snapp

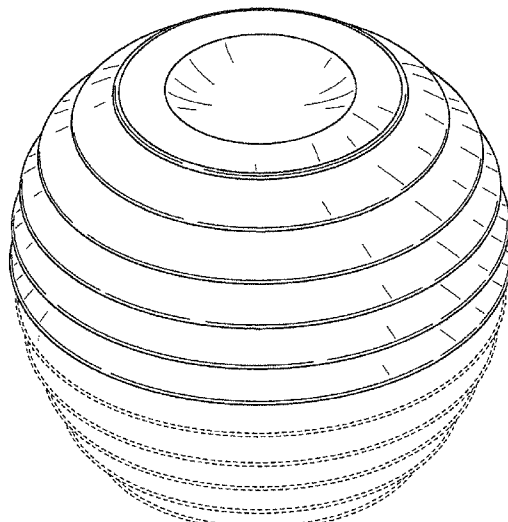
(57) **CLAIM**

The ornamental design for a dispenser housing, as shown and described.

**DESCRIPTION**

FIG. 1 is an isometric view of a top, front, and left side of an ornamental design for a dispenser housing;  
FIG. 2 is a front elevational view of the dispenser housing of FIG. 1, all other sides being identical thereto;  
FIG. 3 is a top plan view of the dispenser housing of FIG. 1; and,  
FIG. 4 is a bottom plan view of the dispenser housing of FIG. 1.  
The broken lines are for the purpose of illustrating environmental structure and form no part of the claimed design.

**1 Claim, 2 Drawing Sheets**



(56)

**References Cited**

U.S. PATENT DOCUMENTS

D371,739 S	7/1996	Van Dyk	
D388,653 S	1/1998	Hsu	
D396,382 S	7/1998	Hsu	
D530,221 S	10/2006	Paglina	
D564,900 S	3/2008	Green et al.	
D599,899 S	9/2009	Thompson	
D611,587 S	3/2010	Dineen	
D617,439 S	6/2010	Valentino et al.	
D633,191 S	2/2011	Sato	
D685,073 S *	6/2013	Gordon et al. ....	D23/366

FOREIGN PATENT DOCUMENTS

EM	000305974-0002	5/2005
EM	000320288-0001	6/2005
EM	000626841-0001	11/2006
EM	001668518-0004	2/2010

EM	001743519-0001	9/2010
EM	001758681-0001	10/2010
EM	001830860-0003	4/2011
EM	001846130-0001	4/2011
GB	3022913	5/2006
WO	064274	9/2003

OTHER PUBLICATIONS

Plantcontainershop.com product page of beehive shaped planters from Plantcontainershop.com website [online] [retrieved on Feb. 21, 2012], 2 pages. Retrived from <URL: <http://www.plantcontainershop.com/beehive-shaped-planter.html>>.  
 Carter's Price Guides to Antiques and Collectables product page of a Keith Murray Wedgwood 'beehive' vase from carters.com.au website [online] [retrived on Feb. 21, 2012], 1 page. Retrived from <<http://www.carters.com.au/index.cfm/item/160328-a-keith-murray-wedgwood-beehive-vase-of-compressed-spherical-for/>>.

\* cited by examiner

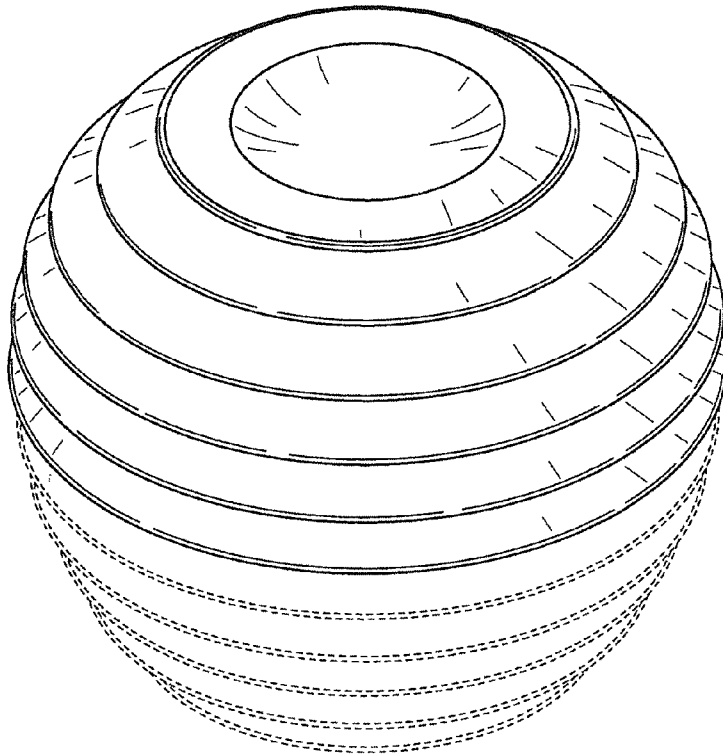


FIG. 1

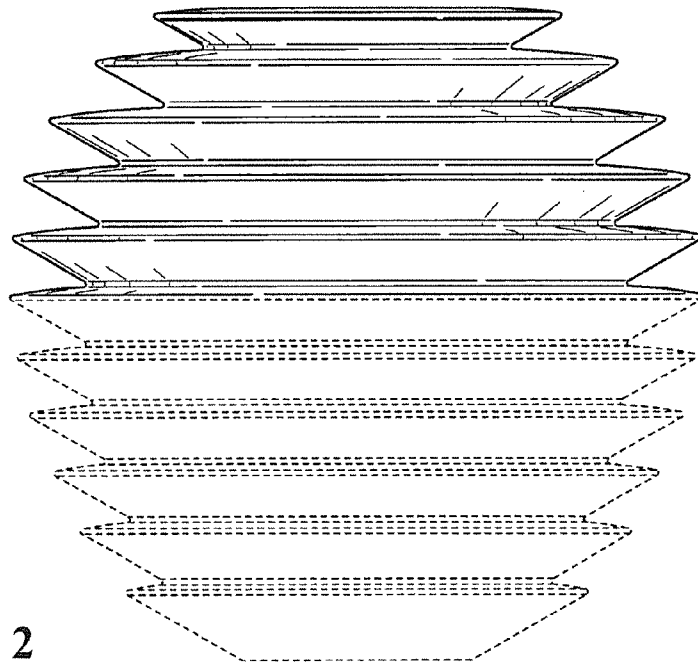


FIG. 2

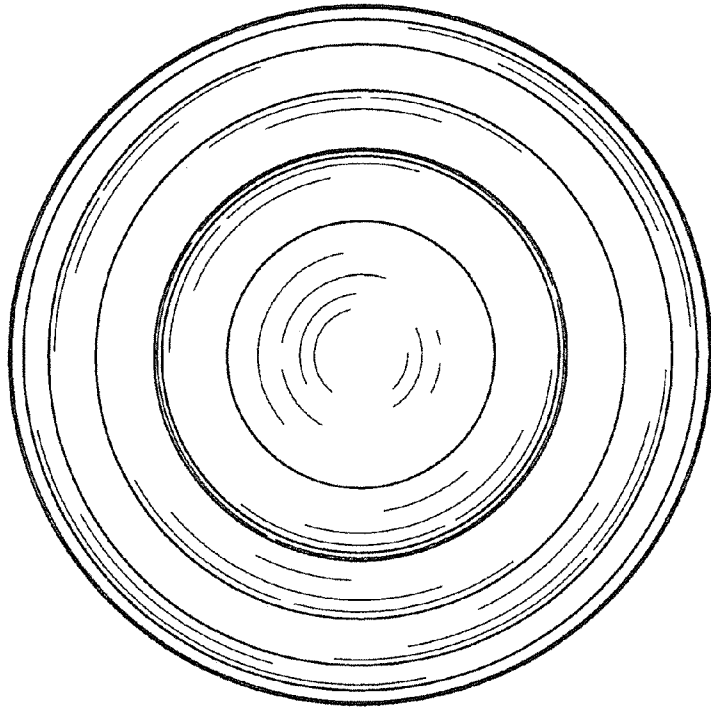


FIG. 3

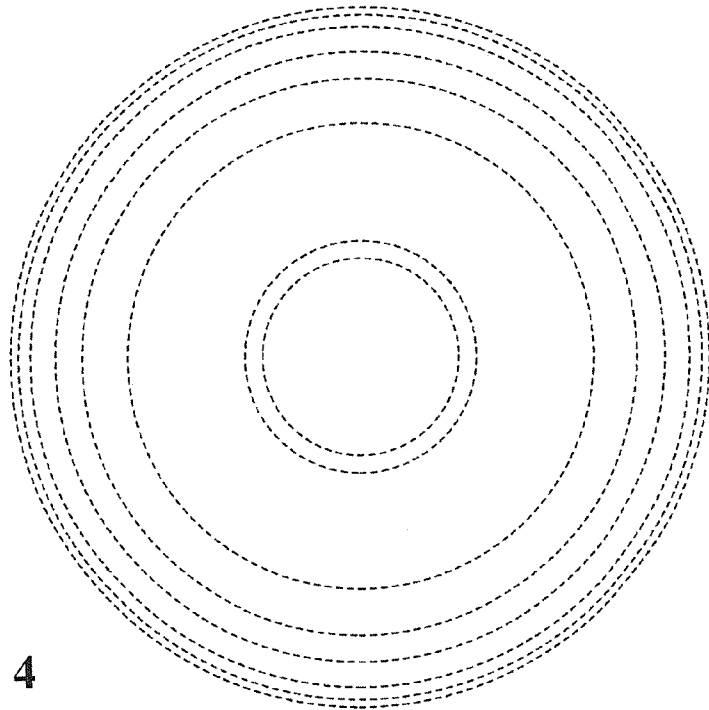


FIG. 4