



US00D970374S

(12) **United States Design Patent** (10) **Patent No.:** **US D970,374 S**
Paruch et al. (45) **Date of Patent:** **** Nov. 22, 2022**

(54) **TRAFFIC ALERT DEVICE**
(71) Applicant: **Rite-Hite Holding Corporation,**
Milwaukee, WI (US)
(72) Inventors: **Lucas I. Paruch,** Dubuque, IA (US);
Matthew R. Dwyer, Dubuque, IA (US)
(73) Assignee: **Rite-Hite Holding Corporation,**
Milwaukee, WI (US)
(**) Term: **15 Years**
(21) Appl. No.: **29/756,430**
(22) Filed: **Oct. 28, 2020**
(51) **LOC (13) Cl.** **10-05**
(52) **U.S. Cl.**
USPC **D10/114.1**
(58) **Field of Classification Search**
USPC D10/104.1, 106.1–106.5, 106.7–106.9,
D10/106.95, 109.1–109.2, 110, 111,
D10/114.1–114.8; D12/190, 401, 406,
D12/412, 414; D13/165; D16/202–203,
D16/214–215; D26/28, 35–36, 52, 72,
D26/102, 104, 118–119, 120, 122
CPC F21W 2102/00–40; F21W 2103/00–60;
A42B 3/0433; A42B 3/044
See application file for complete search history.

(56) **References Cited**
U.S. PATENT DOCUMENTS
3,178,568 A * 4/1965 Hendershot F21V 21/32
362/413
D236,191 S * 8/1975 Dowding D10/114.1
D256,898 S * 9/1980 Barr D10/113.1
4,746,910 A 5/1988 Pfister et al.
(Continued)

FOREIGN PATENT DOCUMENTS
CN 101019160 8/2007
CN 202632531 12/2012
CN 204066387 12/2014
CN 104851304 8/2015

CN 307291782 * 4/2022
(Continued)

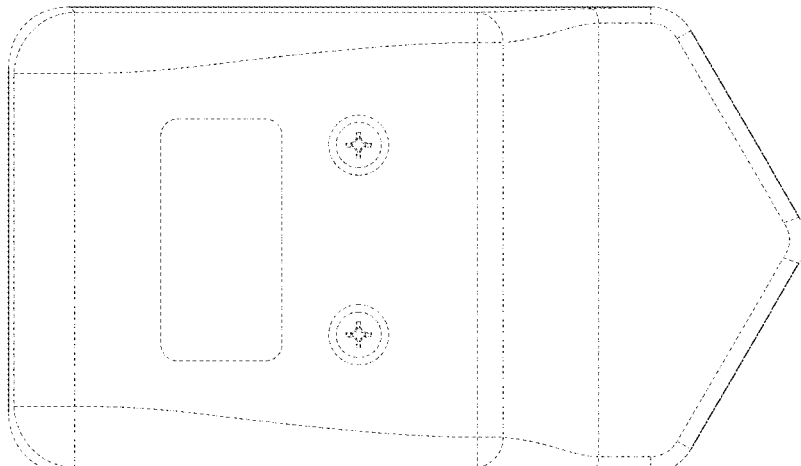
OTHER PUBLICATIONS
Warning System LED, published on May 21, 2021 on mhwmag.com, retrieved from internet Jun. 28, 2022. <URL:https://www.mhwmag.com/products/warning-system-uses-flashing-led-to-alert-workers-of-approaching-traffic/> (Year: 2021).*
(Continued)

Primary Examiner — Joseph Kukella
Assistant Examiner — Heather Ann Laaveg Wencil
(74) *Attorney, Agent, or Firm* — Hanley, Flight & Zimmerman, LLC

(57) **CLAIM**
The ornamental design for a “traffic alert device,” as shown and described.

DESCRIPTION
FIG. 1 is a front view of a traffic alert device.
FIG. 2 is a rear view of the traffic alert device of FIG. 1.
FIG. 3 is a top view of the traffic alert device of FIG. 1.
FIG. 4 is a bottom view of the traffic alert device of FIG. 1.
FIG. 5 is a right side view of the traffic alert device of FIG. 1.
FIG. 6 is a left side view of the traffic alert device of FIG. 1.
FIG. 7 is a left, front perspective view of the traffic alert device of FIG. 1; and,
FIG. 8 is a left, rear perspective view of the traffic alert device of FIG. 1.
The lighter solid lines denote surfaces and contours. Line shading is not surface ornamentation.
The evenly broken lines indicate environmental structure of the claimed design, and form no part thereof. The long-and-short broken lines indicate boundaries of the claimed design, and form no part thereof.

1 Claim, 8 Drawing Sheets



(56)

References Cited

U.S. PATENT DOCUMENTS

D304,019 S * 10/1989 Carsello F21V 21/32
D10/106.8

4,928,101 A 5/1990 Favors

5,461,231 A 10/1995 Sugimoto et al.

D365,091 S * 12/1995 Hofmann-Igl D14/423

5,572,202 A 11/1996 Regel et al.

D377,004 S * 12/1996 Timms D12/423

6,005,491 A 12/1999 Kopchak et al.

6,307,484 B1 10/2001 Sasaki et al.

6,762,689 B2 7/2004 Dechape

6,784,800 B2 8/2004 Orzechowski

D524,834 S * 7/2006 Dozier D20/19

D559,423 S * 1/2008 Hochendoner D26/75

7,408,479 B2 8/2008 Johnson

8,006,811 B2* 8/2011 Andersen B65G 69/005
188/36

D764,460 S * 8/2016 Veja B32B 5/08
D14/358

9,896,282 B2* 2/2018 Boston B65G 69/003

10,055,986 B2 8/2018 Paruch et al.

D846,174 S * 4/2019 Yu D26/85

10,276,042 B2 4/2019 Paruch et al.

10,665,098 B2 5/2020 Paruch et al.

D890,049 S * 7/2020 Zhang B65G 69/003
D12/187

D952,538 S * 5/2022 Sparks D12/401

2002/0190849 A1 12/2002 Orzechowski

2005/0151670 A1 7/2005 Johnson

2005/0280553 A1 12/2005 DiPiazza

2006/0137261 A1 6/2006 Maly

2006/0146520 A1 7/2006 Vitense et al.

2007/0229308 A1 10/2007 Stalp et al.

2007/0276600 A1 11/2007 King et al.

2009/0256721 A1 10/2009 Glatfelter

2009/0278465 A1* 11/2009 Farmer H05B 45/345
363/126

2010/0283631 A1 11/2010 Bryant

2010/0288321 A1* 11/2010 Dwyer B32B 5/08
428/311.11

2011/0199231 A1 8/2011 Loisselle et al.

2011/0260846 A1 10/2011 Mochizuki et al.

2011/0260888 A1 10/2011 Fossier et al.

2012/0025964 A1 2/2012 Beggs et al.

2013/0063282 A1 3/2013 Baldwin et al.

2013/0253816 A1 9/2013 Caminiti et al.

2013/0257607 A1 10/2013 Rigby et al.

2014/0118553 A1 5/2014 Diba

2015/0153016 A1* 6/2015 Lee F21S 45/30
362/547

2015/0154863 A1 6/2015 Fossier et al.

2017/0124867 A1 5/2017 Paruch et al.

2018/0247531 A1 8/2018 Paruch et al.

2020/0191327 A1 6/2020 Goeders

2022/0130241 A1* 4/2022 Wiegel G09F 13/0404

FOREIGN PATENT DOCUMENTS

EP 1775692 4/2007

GB 2119987 11/1983

JP H07105500 4/1995

JP H07127022 5/1995

JP 2003016596 1/2003

JP 2011175560 9/2011

JP 2013016039 1/2013

KR 20130066389 6/2013

WO 2005020180 3/2005

OTHER PUBLICATIONS

Japanese Patent Office, "Notice of Reasons for Rejection" issued in connection with Japanese patent application No. 2018-542124 dated Aug. 6, 2019, 6 pages.

International Searching Authority, "Invitation to Pay Additional Fees and, Where Applicable, Protest Fee," issued in connection with PCT application No. PCT/US2016/050565, dated Dec. 12, 2016, 8 pages.

Shurestar, "You Are Now Entering the Safety Zone Intersection Caution Systems & Alerts," Brochure, 5 pages.

Collision Awareness, "Look Out—Leaders of Intersection Protection," Brochure, 12 pages.

Shurestar, "Traffic Caution Systems," 2015, [http://shurestar.com/traffic-caution-systems/], retrieved on Sep. 28, 2015, 2 pages.

Zone Safe, "Walkway Alert Pedestrian Warning System," retrieved from [https://www.zonesafe.net/proximity-warning-system-applications/walkway-alert-system/] on May 31, 2018, 2 pages.

Hit-Not, "Hit-Not Proximity Detection Parts Catalog," retrieved from [https://hitnot.com/wp-content/uploads/2016/08/Parts-CatalogCurrent2-11-16.pdf] on May 31, 2018, 21 pages, 2016.

Cisco-Eagle, "AisleAlert Forklift Safety Warning Systems," retrieved from [http://www.cisco-eagle.com/catalog/category/9174/aislealert-traffic-floor-light-systems] on May 31, 2018, 8 pages.

Save-Ty, "Save'ty Yellow Products," retrieved from [https://safety-products.save-ty.com/category/roducts-collision-awareness-look-outs-look-out-3-4], on May 31, 2018, 3 pages, 2017.

Sky-Trax, "Fork Alert," retrieved from [http://www.totaltraxinc.com/attachments/article/35/forkalertsps.pdf] on May 31, 2018, 2 pages.

Tapco, "Forklift Traffic Warning System," retrieved from [https://www.tapconet.com/solar-led-division/industrial-forklift-traffic-blinkersign/] on May 31, 2018, 2 pages.

Sentry Protection Products, "Collision Sentry Always on Guard," retrieved from [http://www.sentrypro.com/pages/support_files/2013-CollisionSentry_Brochure.pdf] on May 31, 2018, 4 pages, 2013.

Crossing Guard, "Crossing Guard Forklift Collision Alert System," retrieved from [http://crossingguardsafety.com/2012-02-24-17-41-10/finish/1-click-for-crossing-guard-pdf-files/2-crossing-guard-4-page-brochure/0.html] on May 31, 2018, 4 pages.

Canadian Intellectual Property Office, "Examination Report," issued in connection with Canadian Application No. 3,004,289, dated Feb. 14, 2019, 4 pages.

European Patent Office, "Invitation Pursuant to Rule 137(4) EPC and Article 94(3) EPC," issued in connection with European Application No. 16767113.0, dated Feb. 11, 2019, 3 pages.

Canadian Intellectual Property Office, "Examination Search Report," issued in connection with Canadian Application No. 3,004,289, dated Jan. 30, 2020, 4 pages.

Korean Intellectual Property Office, "Notice of Preliminary Rejection" issued in connection with Korean patent application No. 10-2018-7015513 dated Oct. 21, 2019, 10 pages.

European Patent Office, "Communication Pursuant to Rule 94(3) EPC," issued in connection with European Application No. 16767113.0, dated Nov. 18, 2019, 6 pages.

International Searching Authority, "Notification of Transmittal of the International Search Report and the Written Opinion of the International Search Authority, or the Declaration," issued in connection with PCT application No. PCT/US2016/050565, dated Feb. 2, 2017, 20 pages.

United States Patent and Trademark Office, "Non-Final Office Action," issued in connection with U.S. Appl. No. 16/397,806, dated Sep. 18, 2019, 17 pages.

United States Patent and Trademark Office, "Notice of Allowance and Fee(s) Due," issued in connection with U.S. Appl. No. 16/397,806, dated Sep. Jan. 13, 2020, 48 pages.

National Intellectual Property Administration of the People's Republic of China, "Notification of the First Office Action," issued in connection with Chinese Patent Application No. 201680075930.0, dated Sep. 8, 2020.

Korean Intellectual Property Office, "Notice of Final Rejection," issued in connection with Korean Patent Application No. 10-2018-7015513, dated Apr. 23, 2020, 8 pages.

Japanese Patent Office, "Notice of Allowance," issued in connection with Japanese Patent Application No. 2018-542124, dated May 12, 2020, 5 pages.

Korean Intellectual Property Office, "Notice of Preliminary Rejection," issued in connection with Korean Patent Application No. 10-2018-7015513, dated Jul. 25, 2020, 13 pages.

(56)

References Cited

OTHER PUBLICATIONS

IP Australia, "Examination Report No. 1 for Standard Patent Application," issued in connection with Australian Patent Application No. 2019206005, dated Jul. 16, 2020, 6 pages.

United States Patent and Trademark Office, "Requirement for Restriction and/or Election," issued in connection with U.S. Appl. No. 16/397,806, dated Jun. 27, 2019, 7 pages.

United States Patent and Trademark Office, "Requirement for Restriction and/or Election," issued in connection with U.S. Appl. No. 14/931,844, dated Nov. 14, 2017, 7 pages.

United States Patent and Trademark Office, "Notice of Allowance and Fee(s) Due," issued in connection with U.S. Appl. No. 14/931,844, dated Feb. 8, 2018, 15 pages.

United States Patent and Trademark Office, "Non-Final Office Action," issued in connection with U.S. Appl. No. 15/967,123, dated Jul. 6, 2018, 42 pages.

United States Patent and Trademark Office, "Notice of Allowance and Fee(s) Due," issued in connection with U.S. Appl. No. 15/967,123, dated Dec. 12, 2018, 46 pages.

National Intellectual Property Administration of the People's Republic of China, "Notification of the First Office Action," issued in connection with Chinese Patent Application No. 20168007593.0, dated Sep. 8, 2020, 20 pages.

Canadian Intellectual Property Office, "Commissioner's Notice—Application Found Allowable," issued in connection with Canadian application No. 3,004,289, dated Jan. 25, 2021, 1 page.

IP Australian, "Notice of Acceptance," issued in connection with Australian application No. 2019206005, dated Mar. 22, 2021, 3 pages.

European Patent Office, "Communication under Rule 71(3) EPC," issued in connection with European Patent Application No. 16767113.0, dated Dec. 11, 2021, 51 pages.

Korean Intellectual Property Office, "Notice of Allowance," issued in connection with Korean Patent Application No. 10-2018-7015513, dated Dec. 2, 2020, 5 pages.

National Intellectual Property Administration of the People's Republic of China, "Office Action" dated Apr. 9, 2021 in connection with Chinese Patent Application No. 201680075930.0, 21 pages. (English Translation Included).

National Intellectual Property Administration of the People's Republic of China, "Office Action" dated Sep. 1, 2021 in connection with Chinese Patent Application No. 201680075930.0, 24 pages. (English Translation Included).

Mexican Institute of Industrial Property, "Office Action" dated Mar. 30, 2021 in connection with Mexican Patent Application No. 2018005563, 7 pages. (Machine Translation Included).

Mexican Institute of Industrial Property, "Office Action" dated Sep. 24, 2021 in connection with Mexican Patent Application No. 2018005563, 7 pages. (Machine Translation Included).

European Patent Office, "Invitation Pursuant to Rule 63(1) EPC," issued in connection with European Patent Application No. 21175057.5, dated Aug. 16, 2021, 4 pages.

European Patent Office, "Extended European Search Report," issued in connection with European patent application No. 21175057.5, dated Dec. 16, 2021, 14 pages.

Mexican Patent Office, "Notice of Allowance," issued in connection with Mexican patent application No. MX/a/2018/005563, dated Feb. 10, 2022, 4 pages. (English Machine Translation Included).

National Intellectual Property Administration of the People's Republic of China, "Notice of Completing Formalities for Patent Registration" dated Mar. 16, 2022 in connection with Chinese Patent Application No. 201680075930.0, 8 pages. (English Translation Included).

Cisci Eagle, "Warehouse Traffic Sensor—Single Light, Rack Mounted", Sep. 24, 2020, 6 pages.

Sentry Protection Products, "Collision Sentry Corner Pro", Sep. 24, 2020, 2 pages.

IOSH, "A-Safe Launching A New Generation Of Intelligent 24/7 Rack Protection At IMHX", Oct. 2, 2019, 7 pages.

"Save"ty Yellow Products, "Safety Products > Collision Awareness Sensor Alert Warning System > Collision Awareness Sensor Alert Warning System—Interior Units > Look Out 1 & 2 > Look Out 1 > View Items" Sep. 24, 2020.

Shure Star, "Traffic Caution Systems", Sep. 24, 2020, 2 pages.

United States Patent and Trademark Office, "Non Final Office Action," issued in connection with U.S. Appl. No. 16/882,738, dated Sep. 22, 2021, 16 pages.

United States Patent and Trademark Office, "Notice of Allowance and Fee(s) Due," issued in connection with U.S. Appl. No. 16/882,738, dated Feb. 3, 2022, 11 pages.

PRC National Intellectual Property Administration, "Office Action," issued in connection with Chinese Patent Application No. 202130251116.3, dated Dec. 8, 2021, 2 pages. (English Machine Translation Included.).

PRC National Intellectual Property Administration, "Notice of Completing Formalities for Patent Registration," issued in connection with Chinese Patent Application No. 202130251116.3, dated Jan. 20, 2022, 5 pages.

International Searching Authority, "Invitation to Pay Additional Fees", issued in connection with PCT Application No. PCT/US2016/0157127, dated Feb. 16, 2022, 24 pages.

Peoples Republic of China National Property Administration, "Notice of Completing Formalities for Patent Registration", issued in connection with Chinese patent application No. 202230188009.5, issued on Aug. 1, 2022, 4 pages. (English Translation Included).

Mexican Patent Office, "Office Action", issued on connection with Mexican Patent Application No. MX/2021/001250, dated Jul. 7, 2022, 10 pages. (English Translation Included).

* cited by examiner

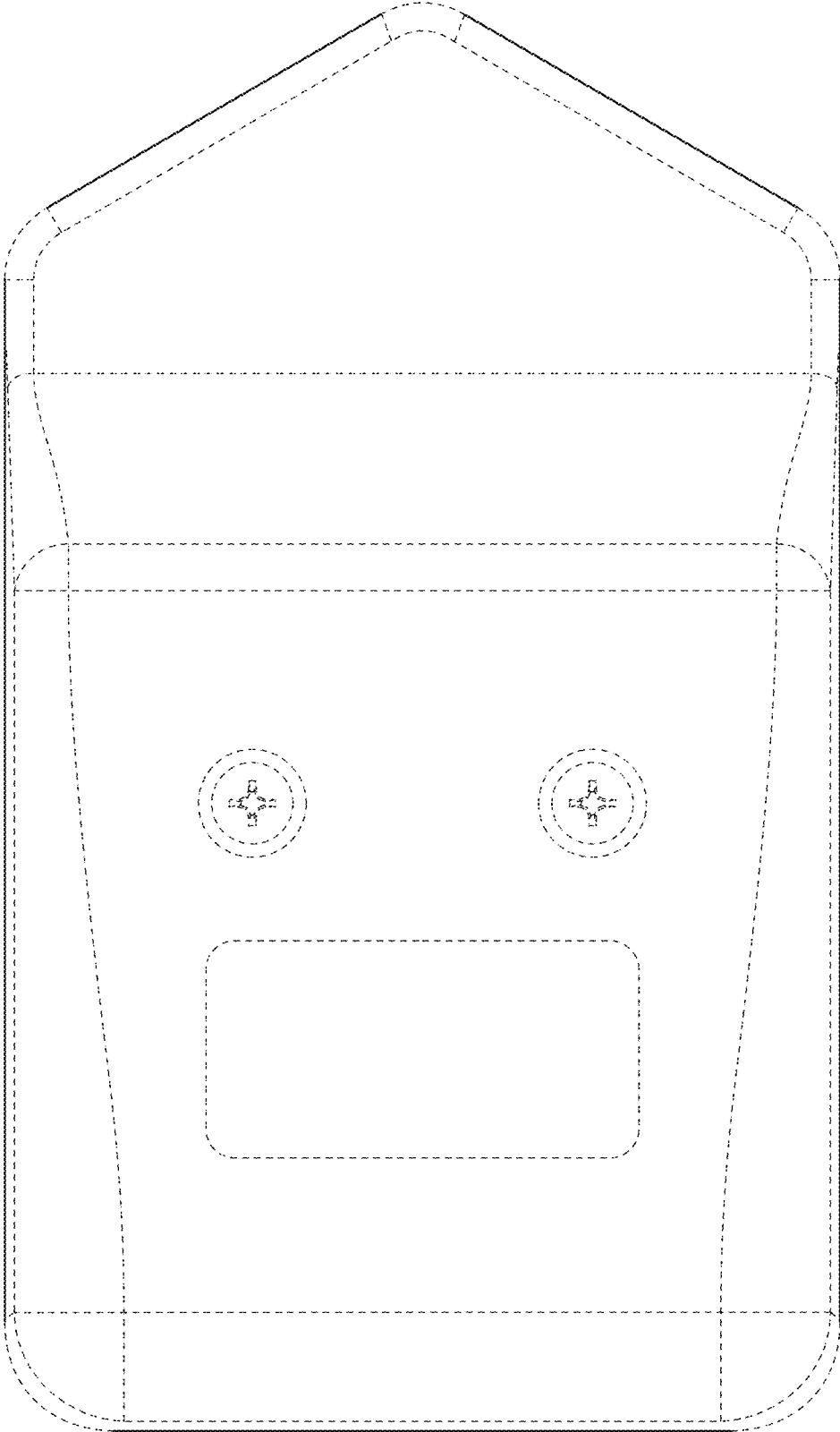


FIG. 1

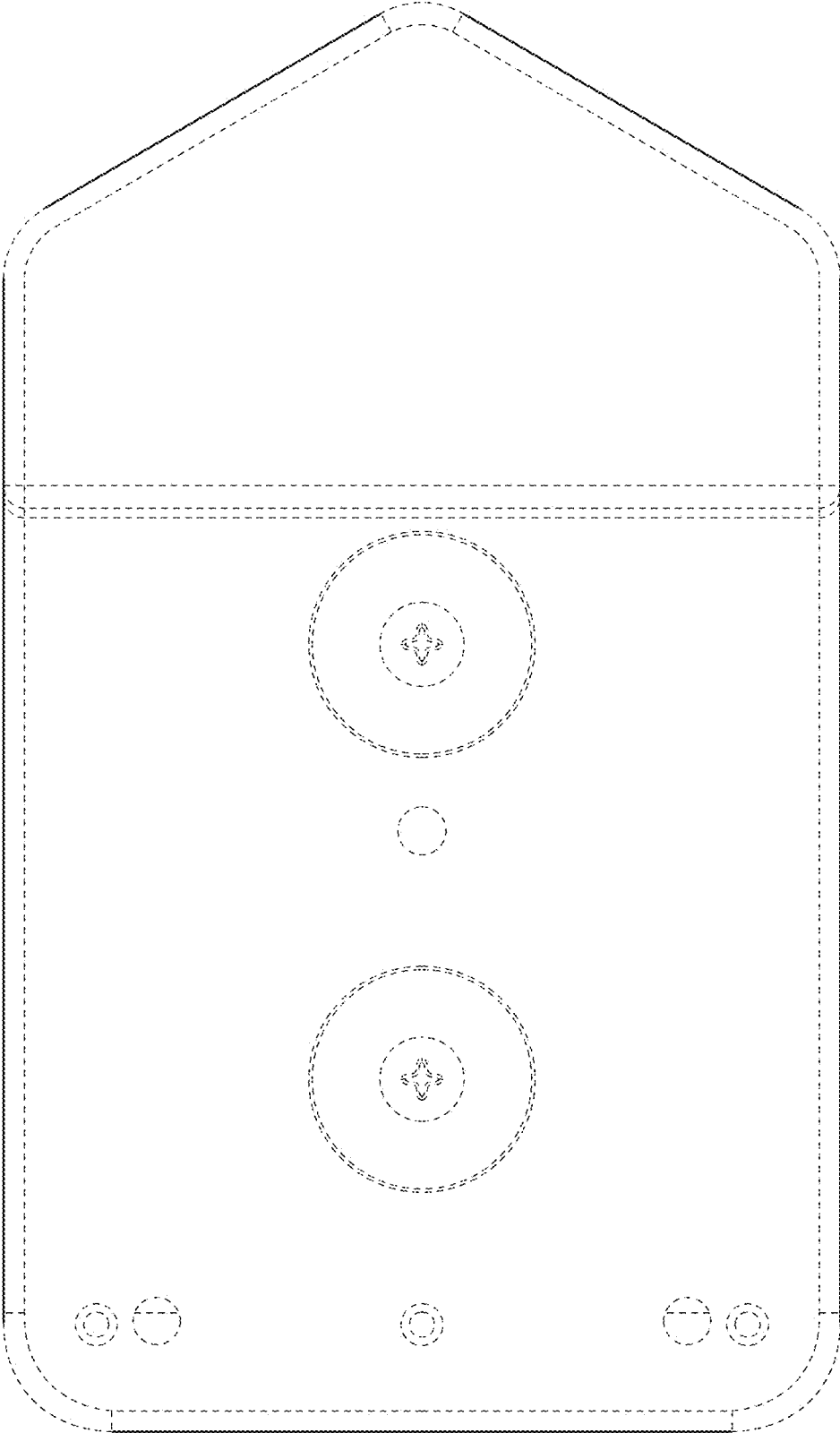


FIG. 2

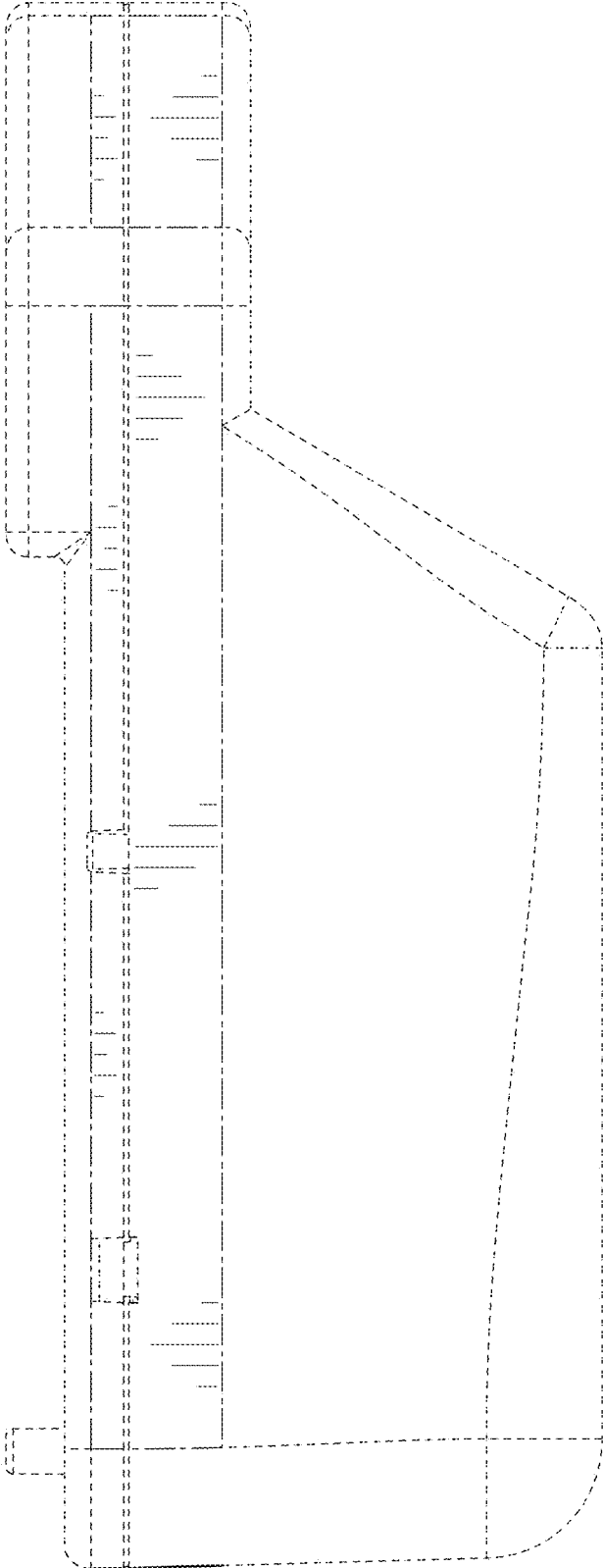


FIG. 3

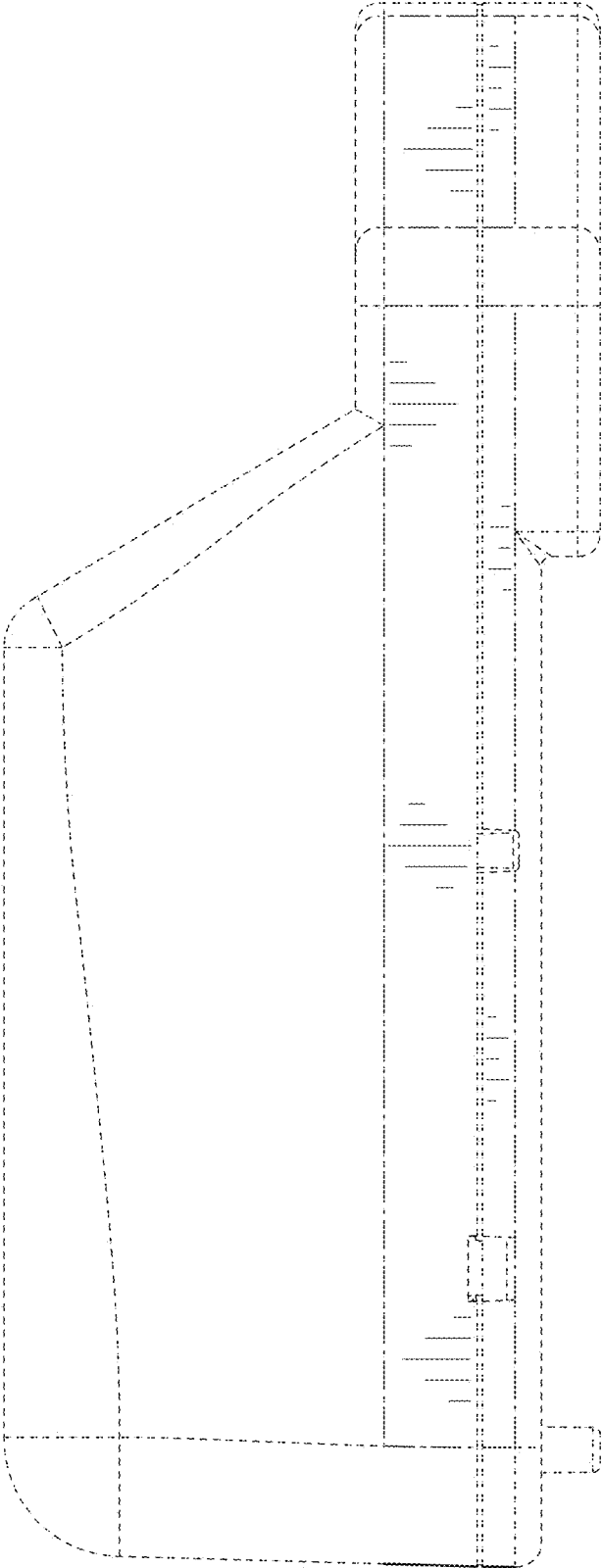


FIG. 4

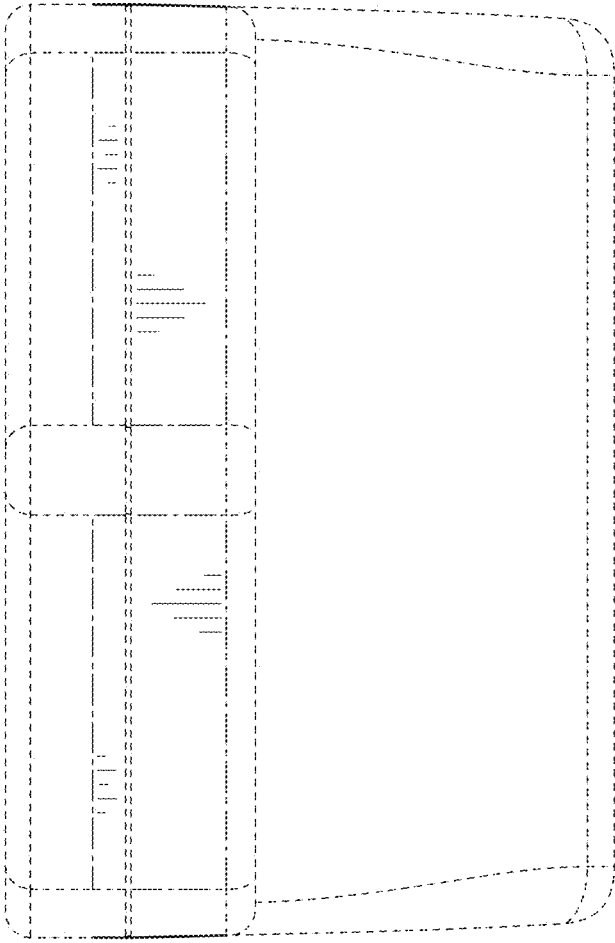


FIG. 5

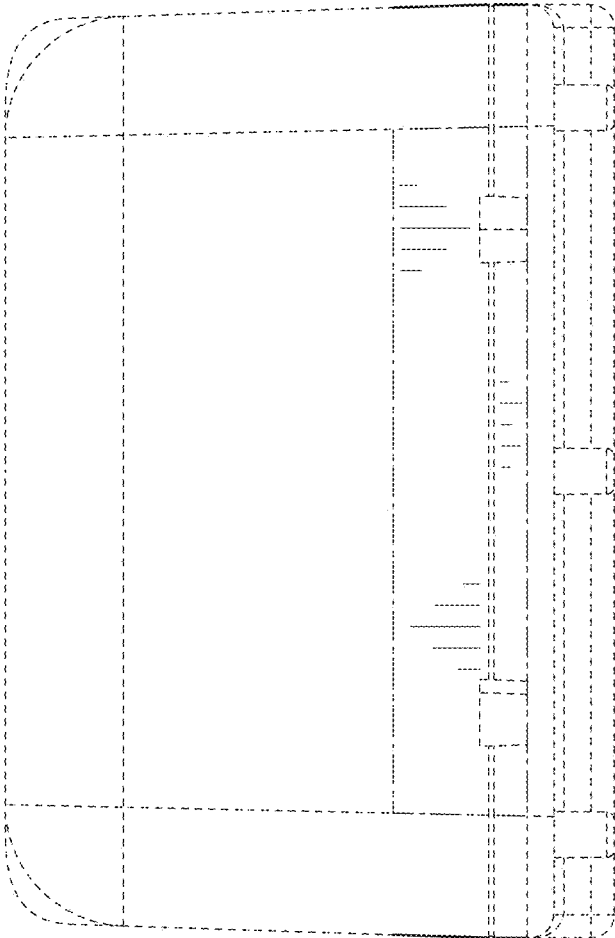


FIG. 6

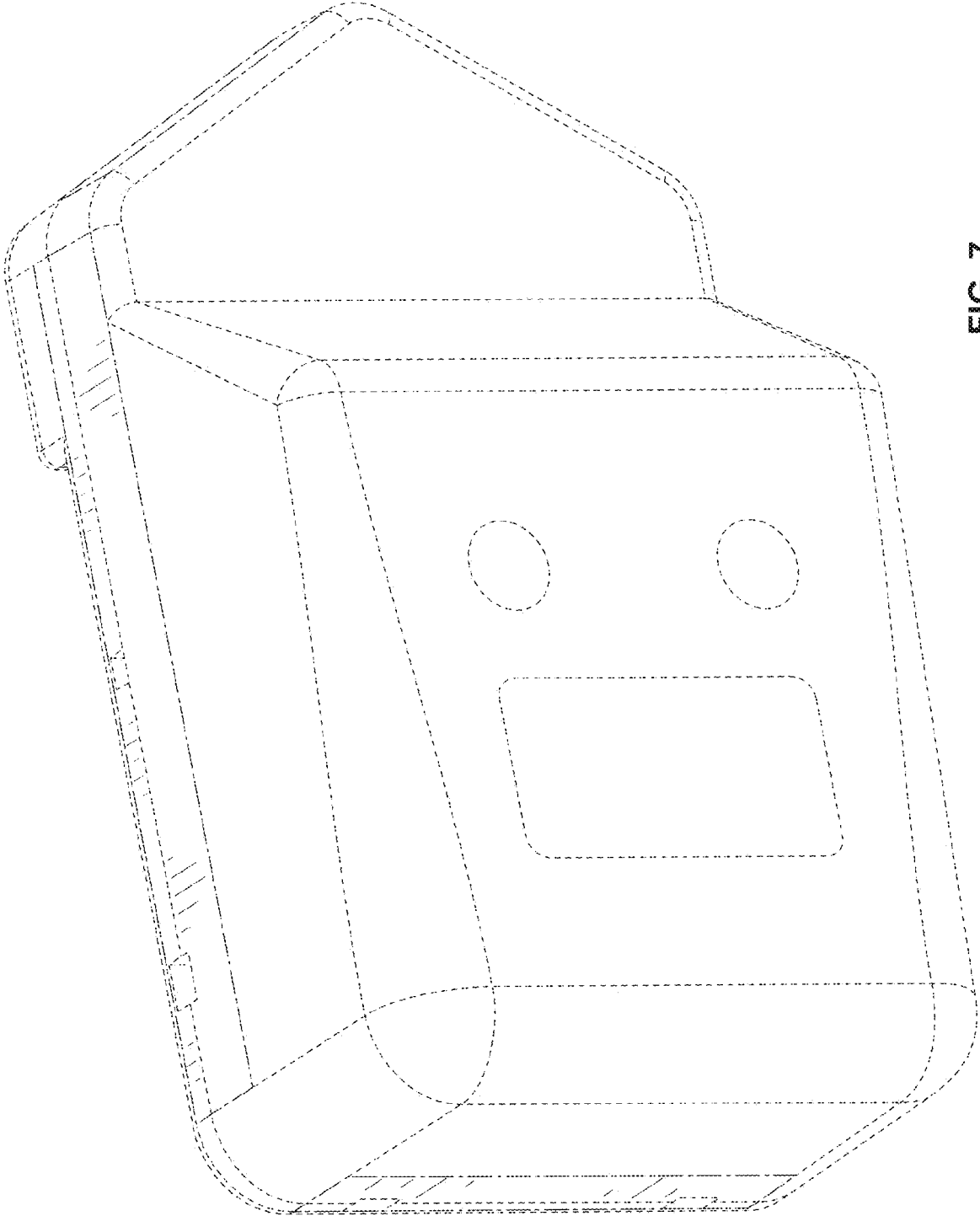


FIG. 7

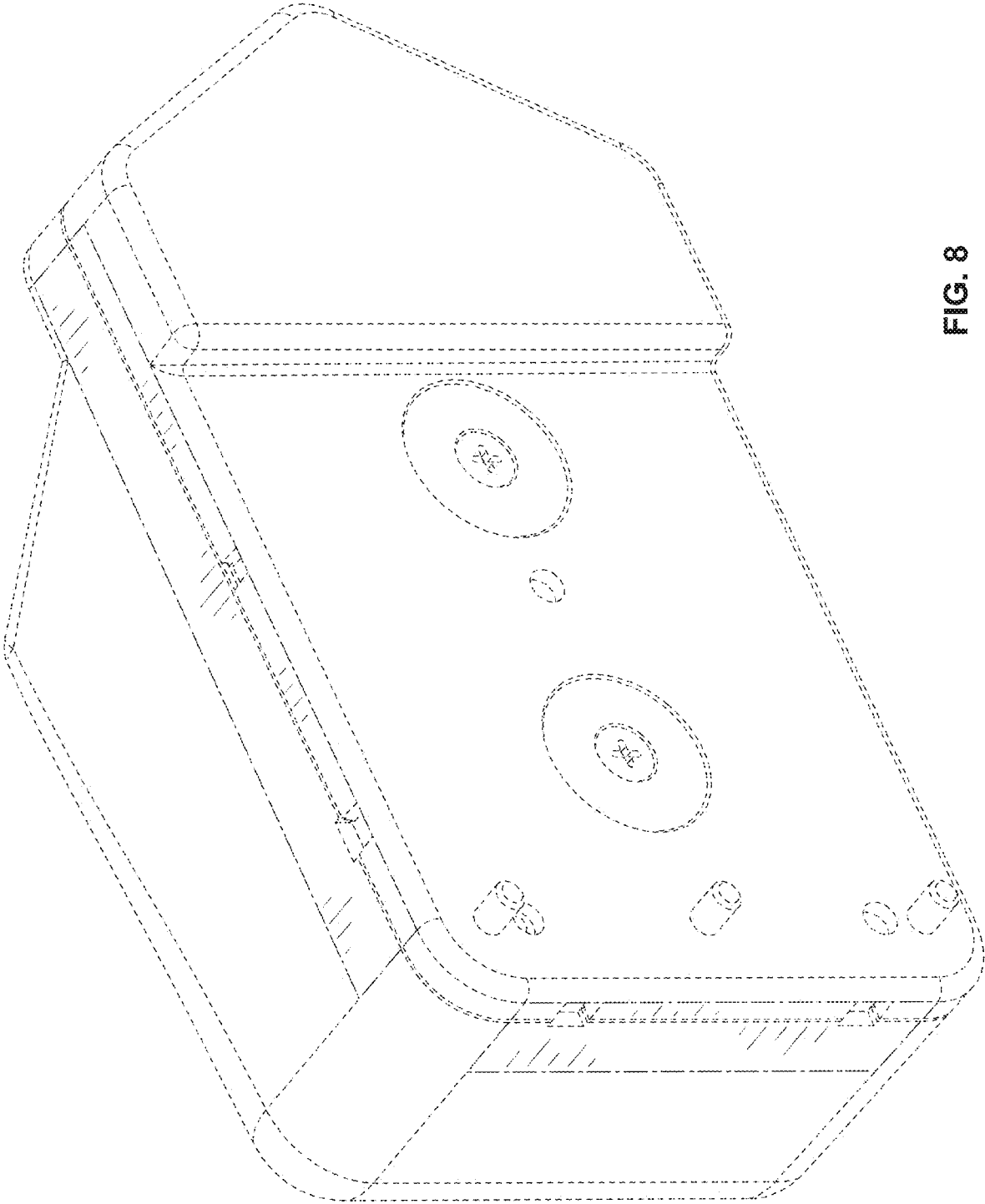


FIG. 8