



US0D1065009S

(12) **United States Design Patent**
Yue

(10) **Patent No.:** **US D1,065,009 S**

(45) **Date of Patent:** **** Mar. 4, 2025**

- (54) **ROOF TENT FRAME**
- (71) Applicant: **SHENZHEN YANGNING AUTO ACCESSORY CO., LTD**, Shenzhen (CN)
- (72) Inventor: **Shiawdar Shaun Yue**, Shenzhen (CN)
- (73) Assignee: **SHENZHEN YANGNING AUTO ACCESSORY CO., LTD**, Shenzhen (CN)
- (**) Term: **15 Years**

- (21) Appl. No.: **29/915,129**
- (22) Filed: **Oct. 26, 2023**
- (51) **LOC (15) Cl.** **12-16**
- (52) **U.S. Cl.**
USPC **D12/401**
- (58) **Field of Classification Search**
USPC D12/401, 403, 404, 400, 402, 410, 420, D12/221, 222, 223, 103, 104, 106, 412, (Continued)

- (56) **References Cited**
U.S. PATENT DOCUMENTS
9,169,665 B1 * 10/2015 Zhou E04H 15/48
D823,967 S * 7/2018 Zhou D21/834
(Continued)

OTHER PUBLICATIONS

“Sanhima Rooftop Tent Hard Shell—Hotham Lite Overland Aluminium Roof Top Tent 4.56” Slimline,” amazon.com, post Published Aug. 5, 2024. Retrieved Dec. 11, 2024. Available online at URL: https://www.amazon.com/Sanhima-Rooftop-Tent-Hard-Shell/dp/B0DC5ZHY9D/ref=sr_1_4?crd=3RG8M1XKGPHGS&dib=eyJ2ljojoi (Year: 2024).*

(Continued)

Primary Examiner — Christian P. McLean
Assistant Examiner — Jessica Lynn Devilbiss
 (74) *Attorney, Agent, or Firm* — Daniel M. Cohn;
 Howard M. Cohn

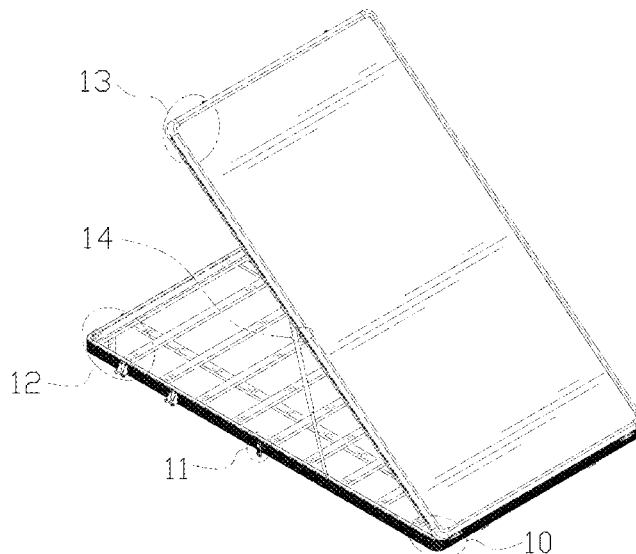
(57) **CLAIM**

The ornamental design for a roof tent frame as shown and described.

DESCRIPTION

FIG. 1 is a perspective view of a roof tent frame showing my new design;
 FIG. 2 is another perspective view thereof;
 FIG. 3 is a front elevational view thereof;
 FIG. 4 is a rear elevational view thereof;
 FIG. 5 is a left side elevational view thereof;
 FIG. 6 is a right side elevational view thereof;
 FIG. 7 is a top plan view thereof;
 FIG. 8 is a bottom plan view thereof;
 FIG. 9 is a perspective view of the roof tent frame where the roof tent frame is in a folded state;
 FIG. 10 is an enlarged view of portion 10 shown in FIG. 1;
 FIG. 11 is an enlarged view of portion 11 shown in FIG. 1;
 FIG. 12 is an enlarged view of portion 12 shown in FIG. 1;
 FIG. 13 is an enlarged view of portion 13 shown in FIG. 1;
 FIG. 14 is an enlarged view of portion 14 shown in FIG. 1;
 FIG. 15 is an enlarged view of portion 15 shown in FIG. 2;
 FIG. 16 is an enlarged view of portion 16 shown in FIG. 2;
 FIG. 17 is an enlarged view of portion 17 shown in FIG. 2;
 FIG. 18 is an enlarged view of portion 18 shown in FIG. 2;
 FIG. 19 is an enlarged view of portion 19 shown in FIG. 2;
 FIG. 20 is an enlarged view of portion 20 shown in FIG. 2;
 and,
 FIG. 21 is an enlarged view of portion 21 shown in FIG. 2.
 The dash-dash broken lines in the drawings depict portions of the roof tent frame that form no part of the claimed design. The dot-dash broken lines represent boundaries of the enlarged portions and form no part of the claimed design.

1 Claim, 21 Drawing Sheets



(58) **Field of Classification Search**

USPC D12/413, 416, 86, 90-92, 164, 173,
D12/184-186, 190, 196; D6/610, 611,
D6/596, 601, 602, 603, 615, 617, 621;
D21/834-840, 424, 425, 433, 434
CPC E04H 15/06; E04H 15/48
See application file for complete search history.

(56) **References Cited**

U.S. PATENT DOCUMENTS

11,111,691 B2 * 9/2021 Jin E04H 15/06
D979,001 S * 2/2023 He D21/834
D994,068 S * 8/2023 Cheng D21/834
D1,034,412 S * 7/2024 Wu D12/412
D1,034,876 S * 7/2024 Cheng D21/834
2018/0010357 A1 * 1/2018 Zhou E04H 15/06
2019/0128009 A1 * 5/2019 Zhou E04H 15/54
2020/0180498 A1 * 6/2020 Jin E04H 15/48

OTHER PUBLICATIONS

“Sanhima Rooftop Tent Hard Shell—Hotham Overland Aluminium Roof Top Tent w/Larger Space” amazon.com, post Published May 24, 2024. Retrieved Dec. 11, 2024. Available online at URL:https://www.amazon.com/Sanhima-Rooftop-Tent-Hard-Shell/dp/B0C6JYK3K1/ref=sr_1_22?crd=3RG8M1XKGPHGS&dib=eyJ2ljojMSJ9.ne (Year: 2024).*

* cited by examiner

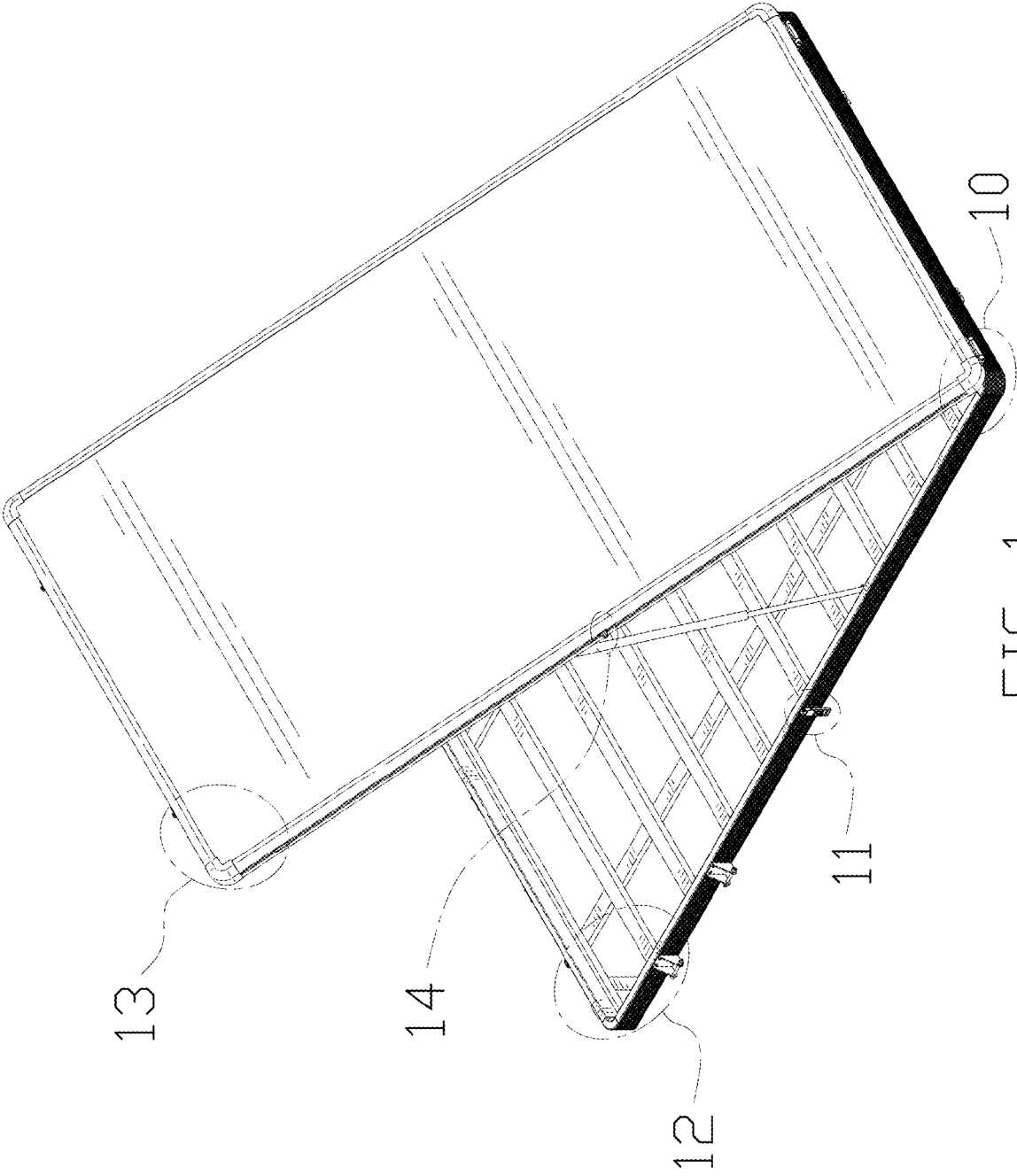


FIG. 1

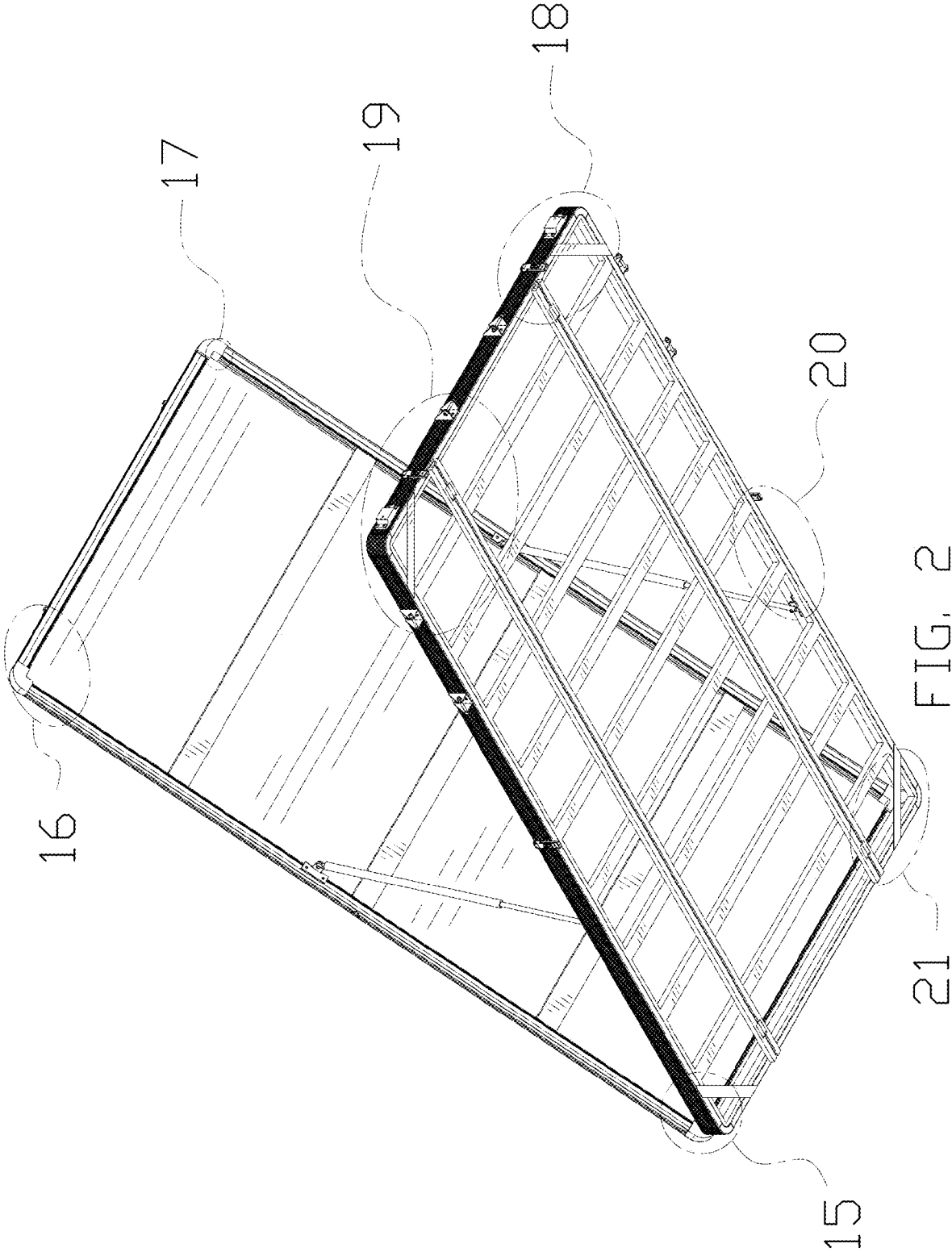


FIG. 2

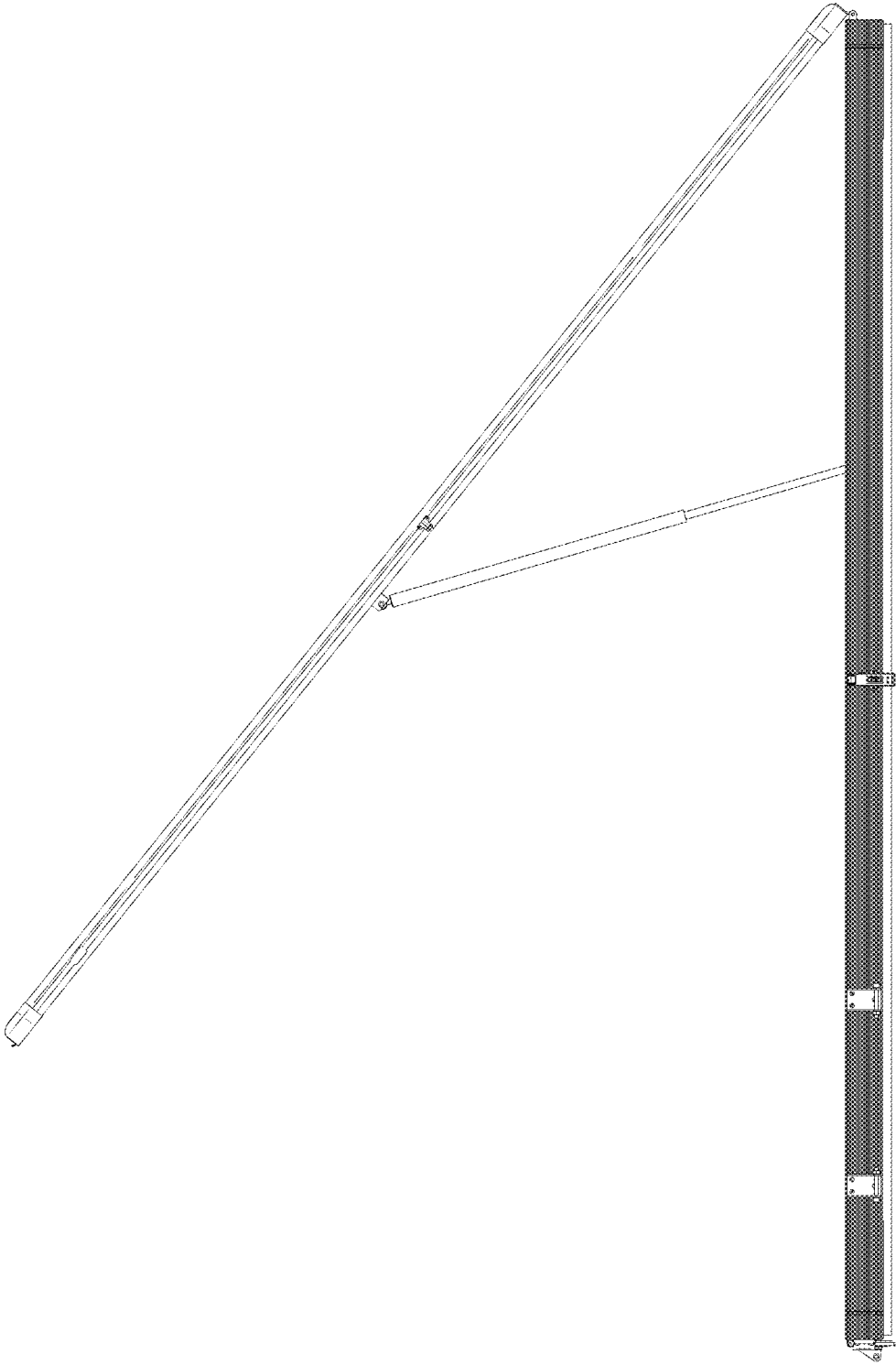


FIG. 3

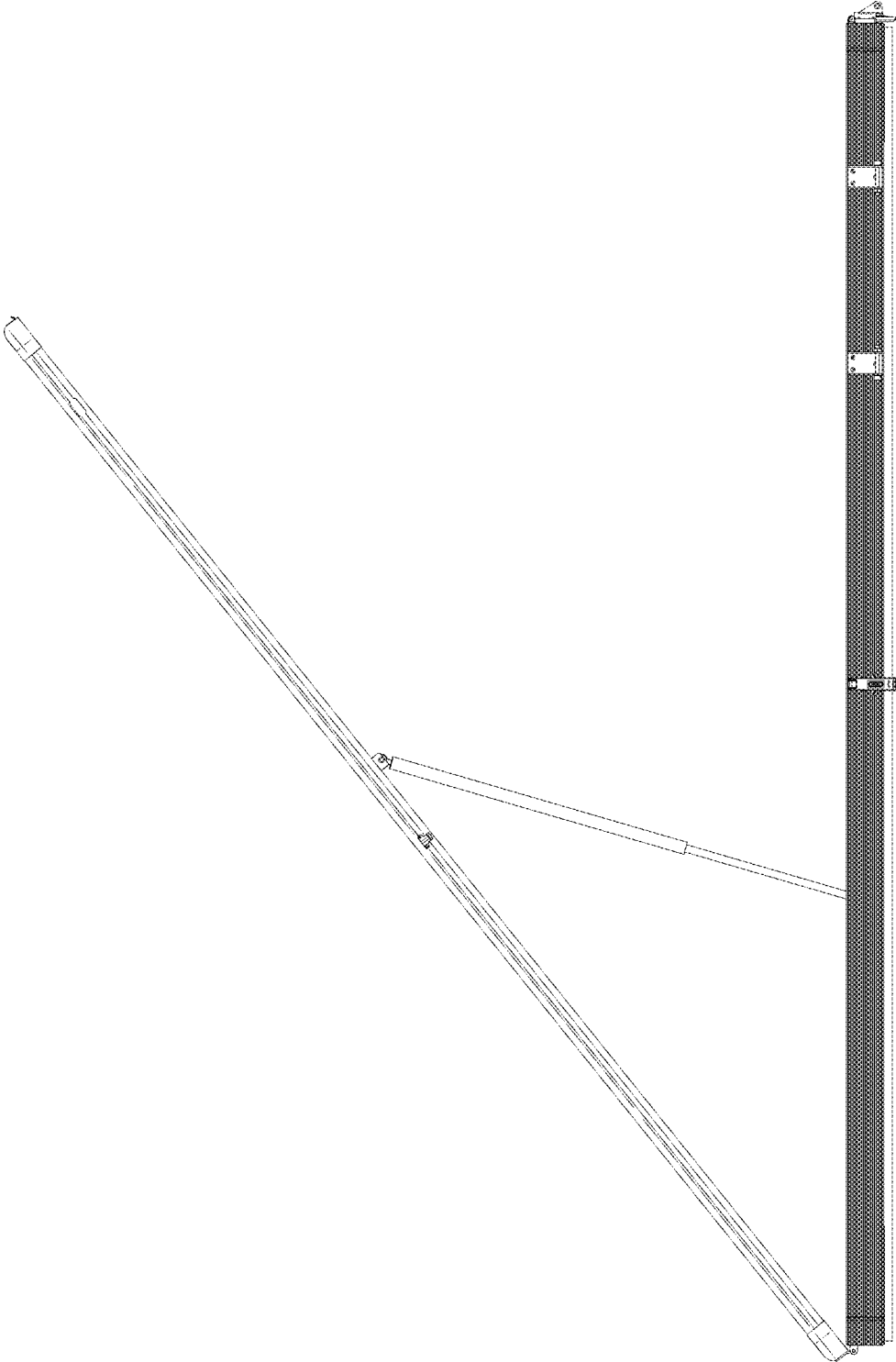


FIG. 4

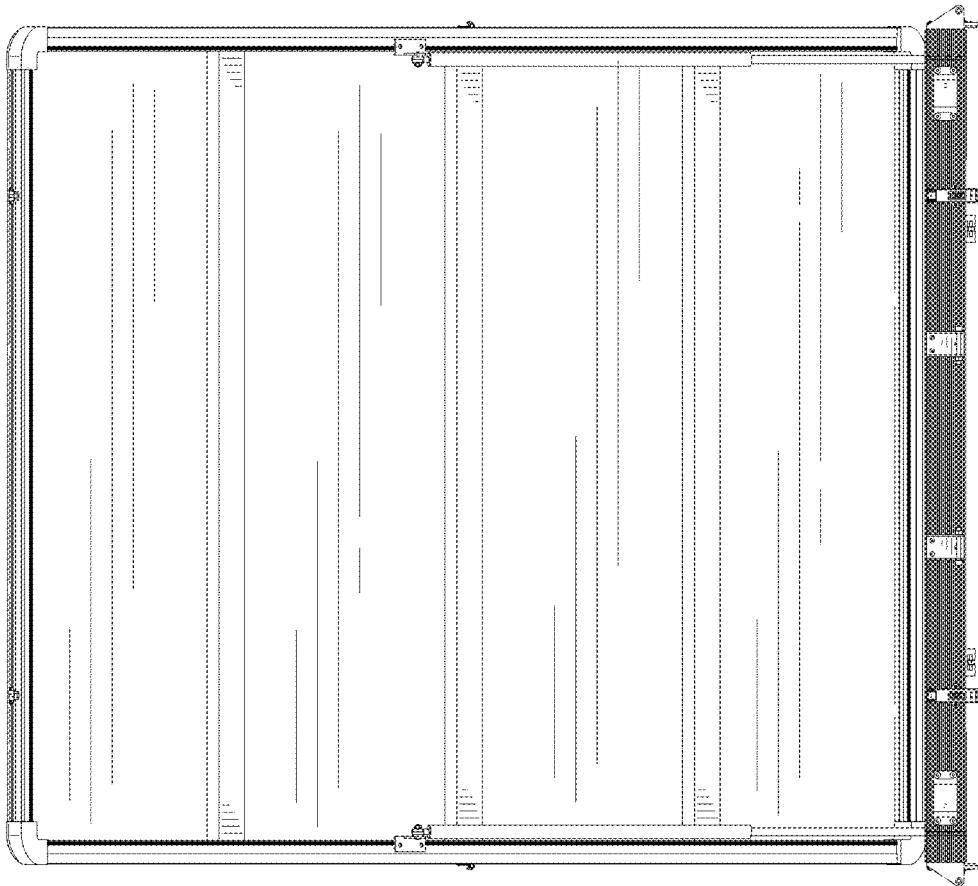


FIG. 5

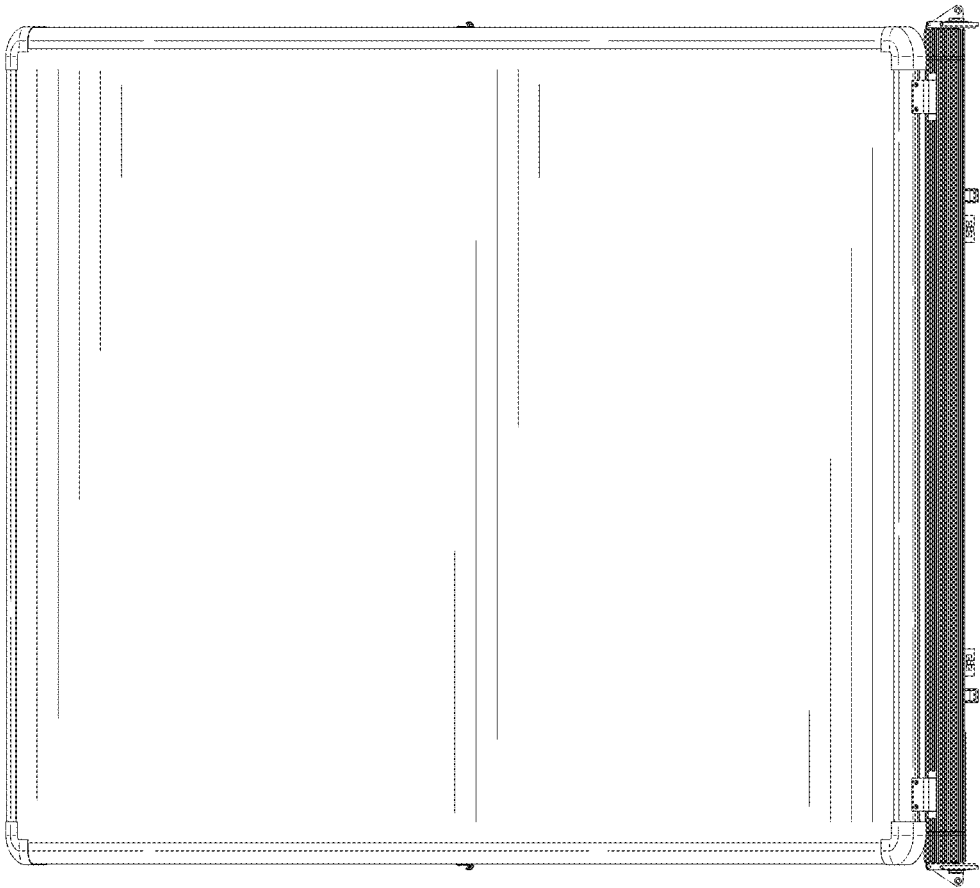


FIG. 6

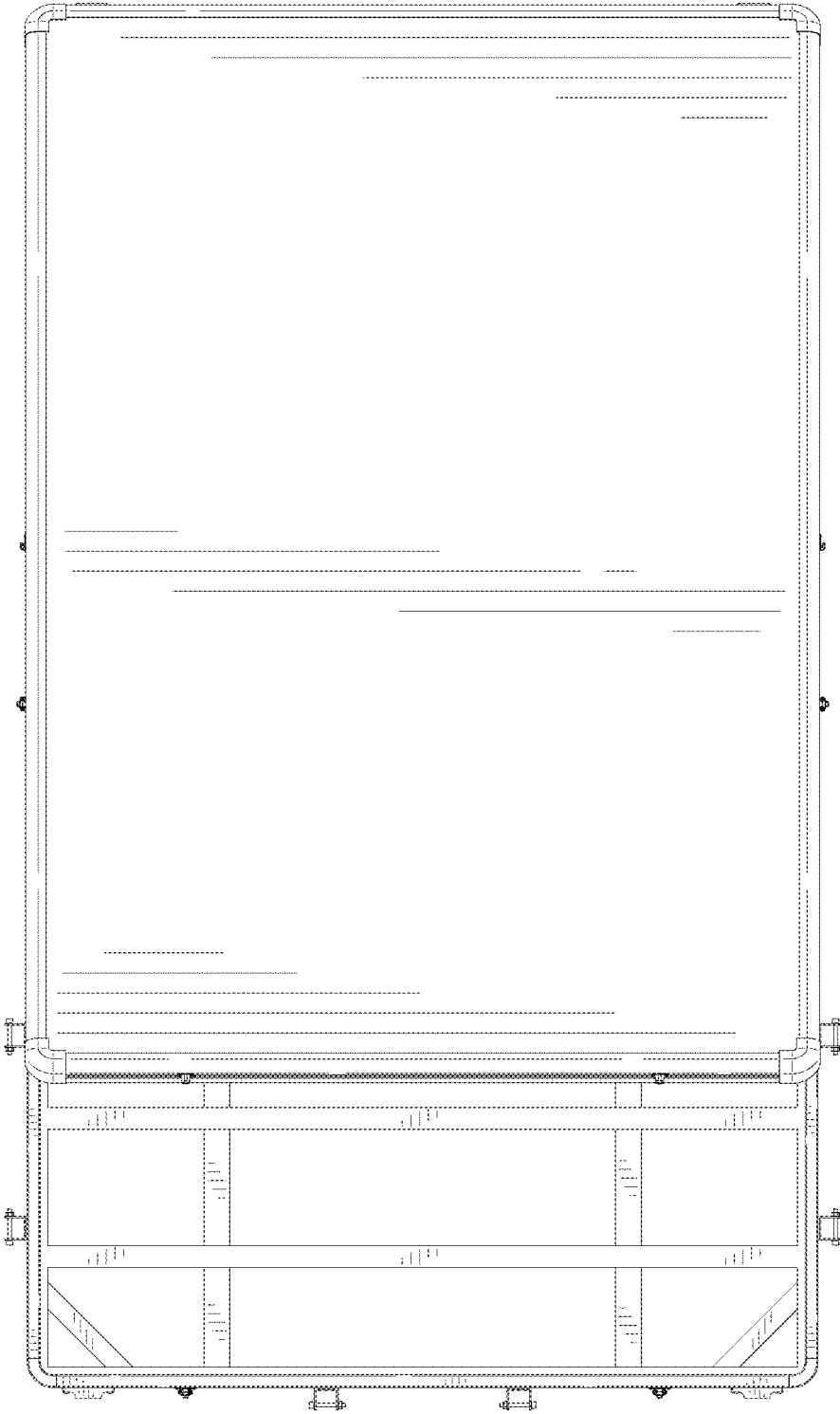


FIG. 7

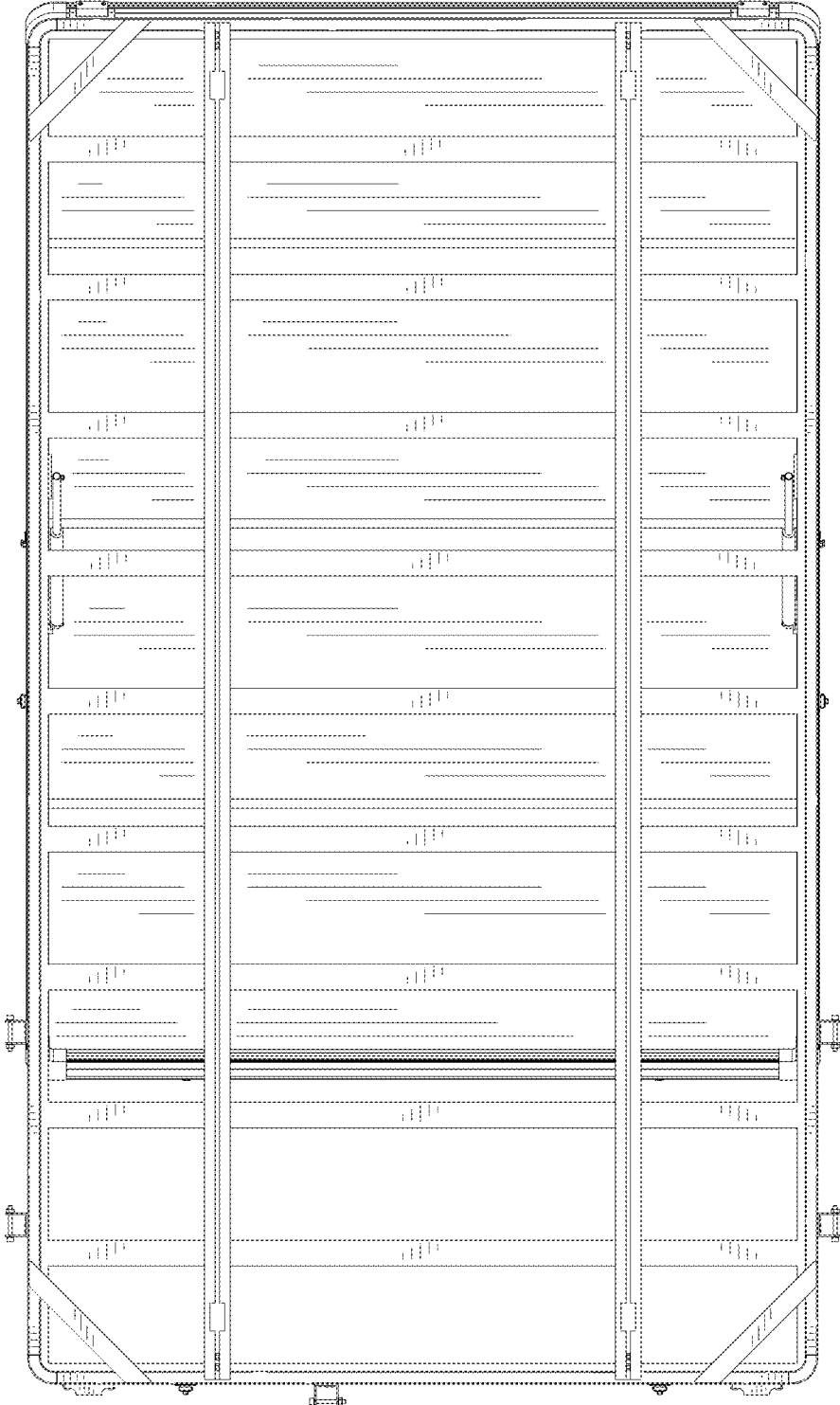


FIG. 8

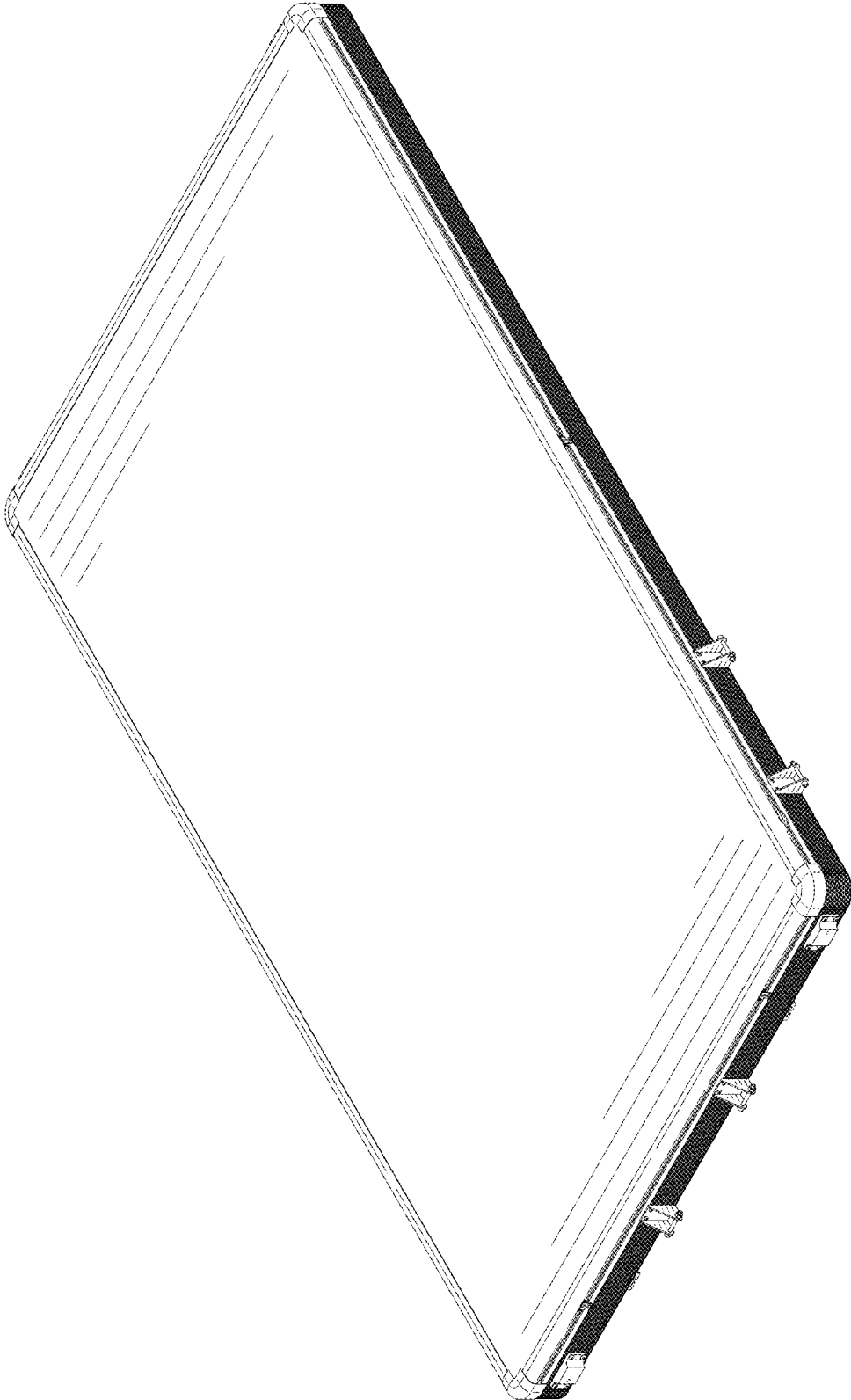


FIG. 9

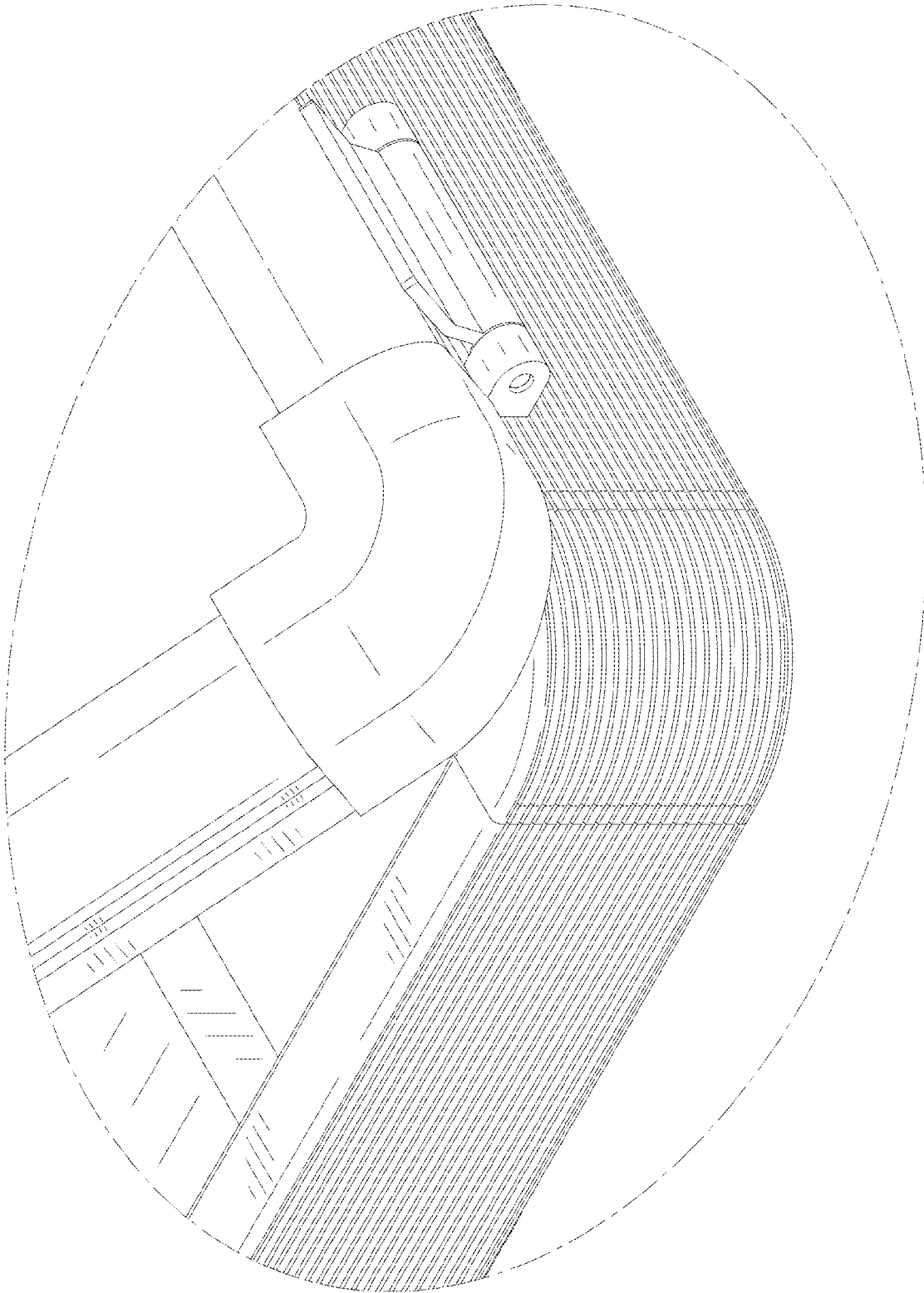


FIG. 10

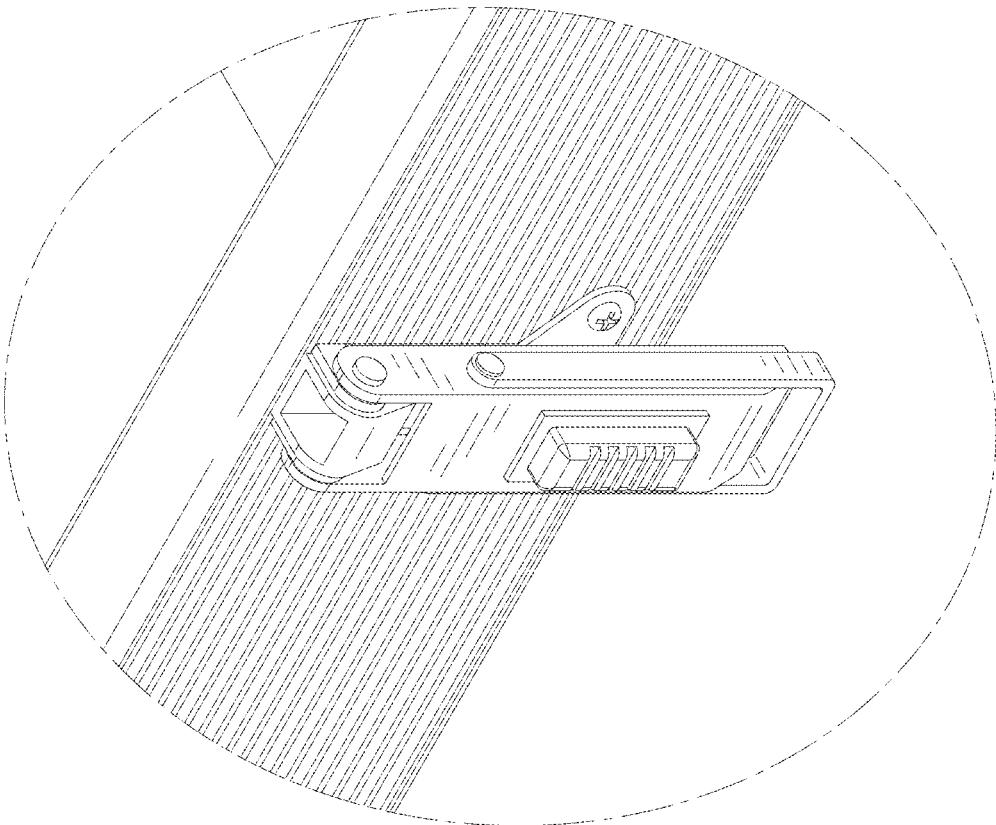


FIG. 11

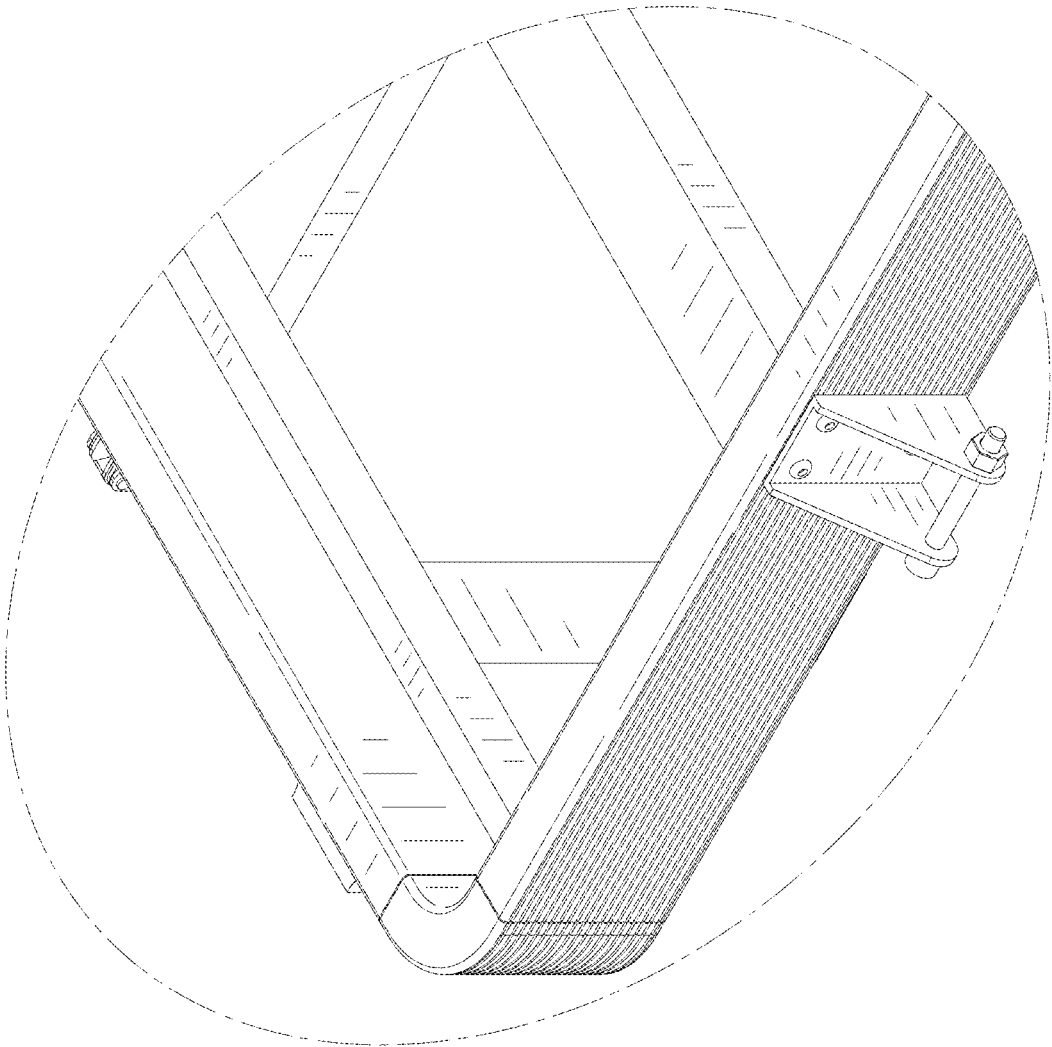


FIG. 12

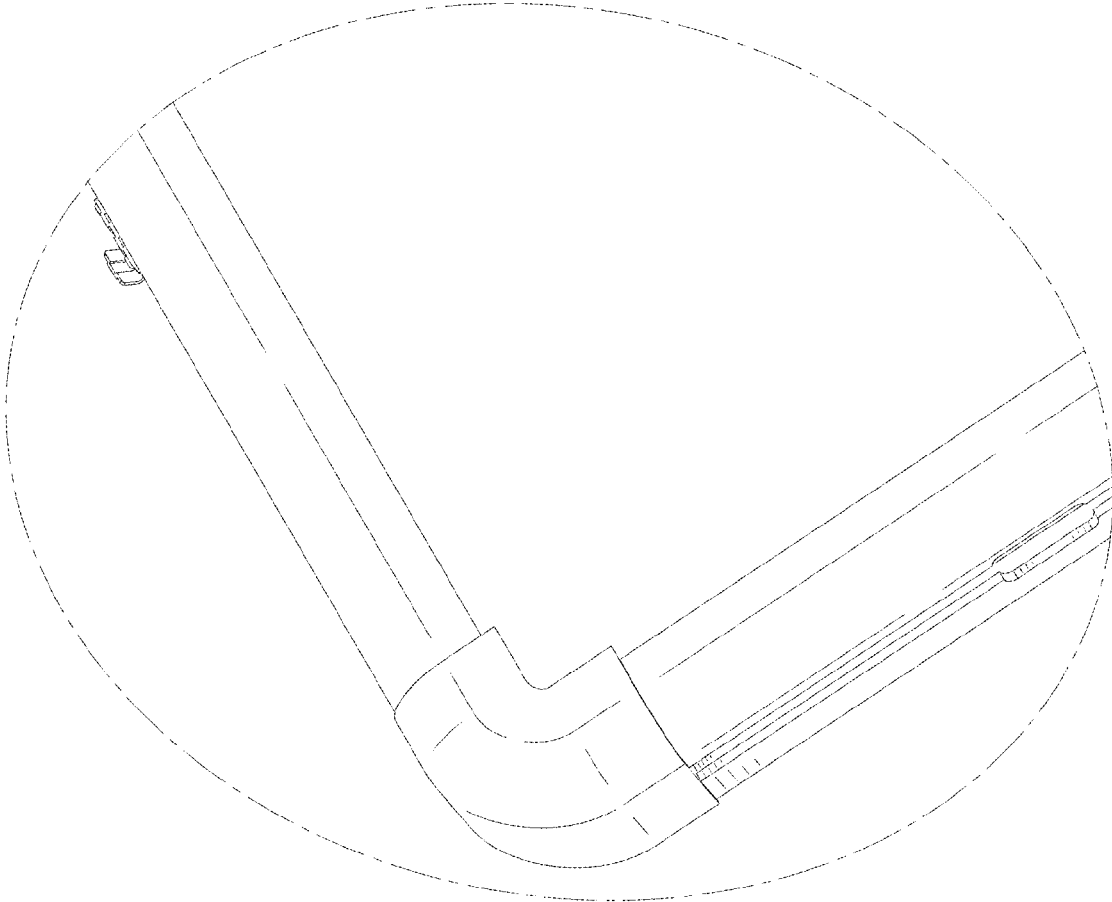


FIG. 13

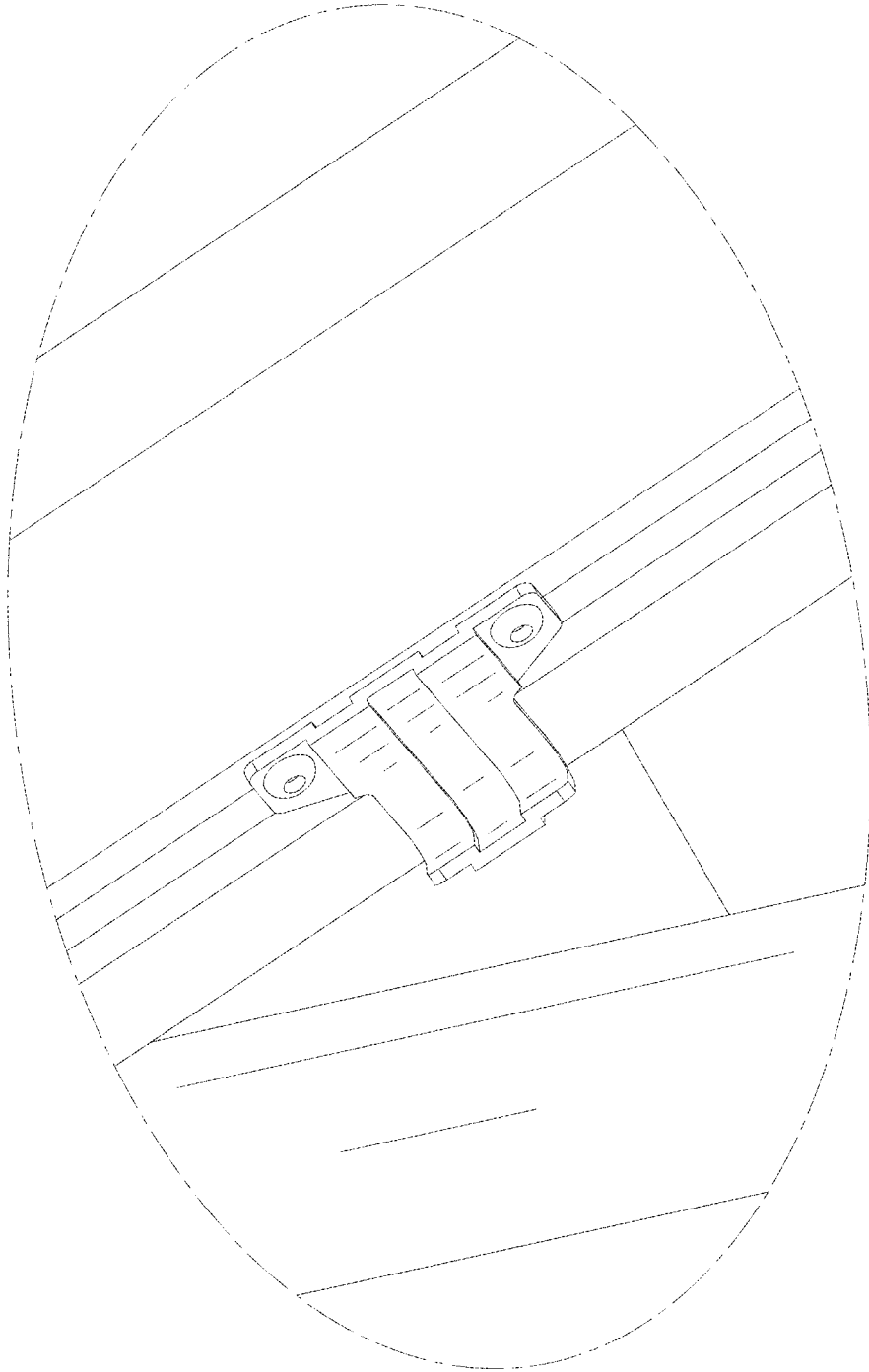


FIG. 14

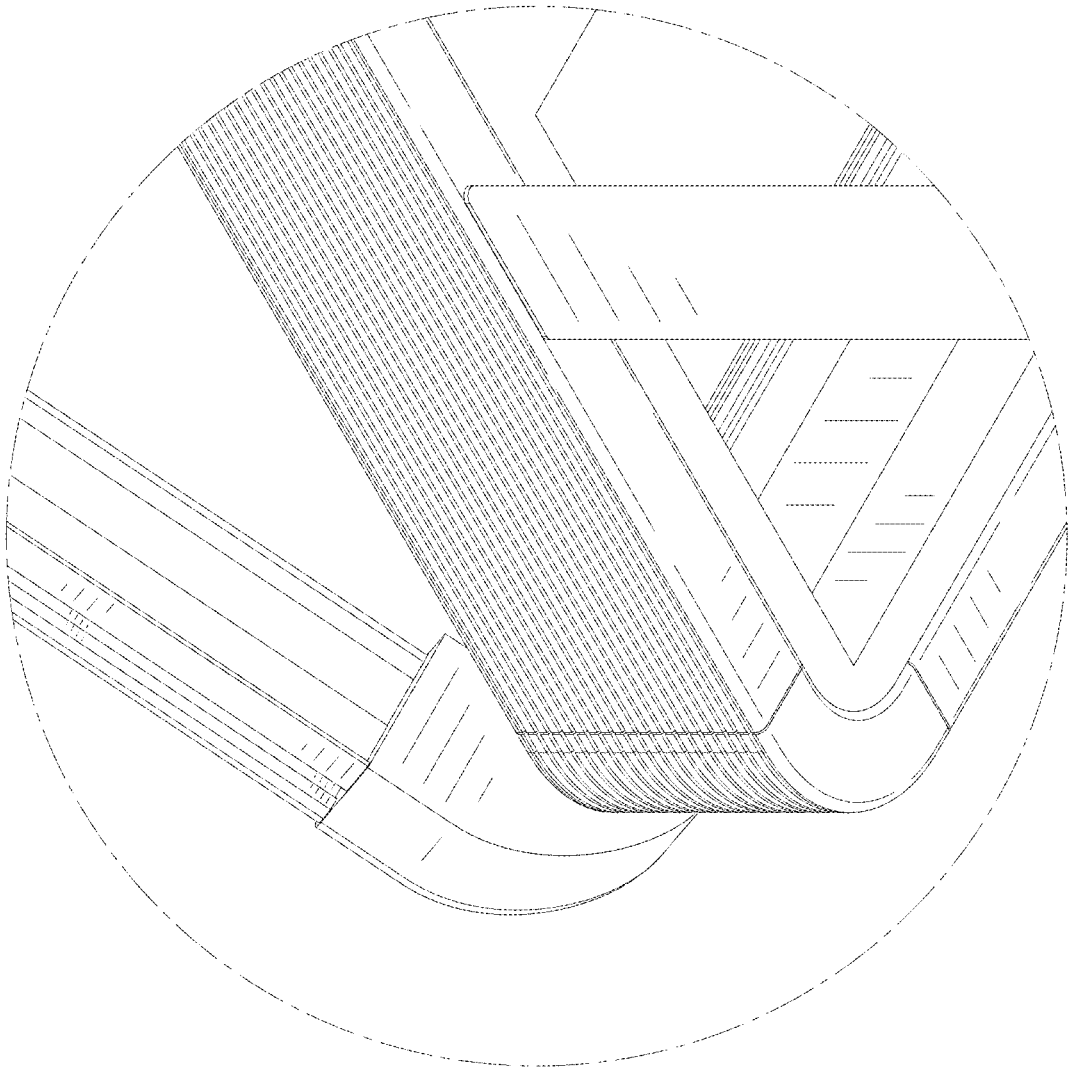


FIG. 15

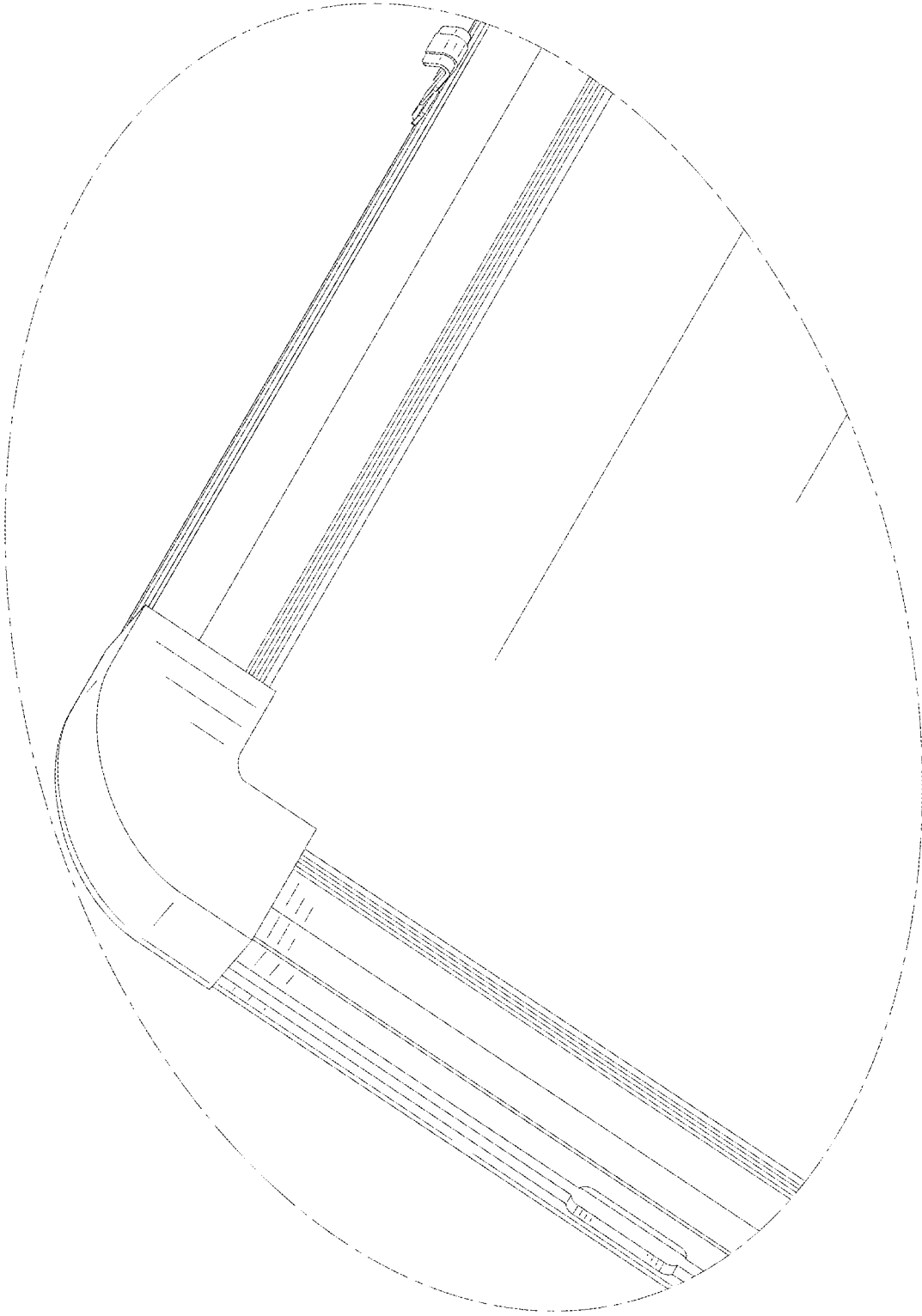


FIG. 16

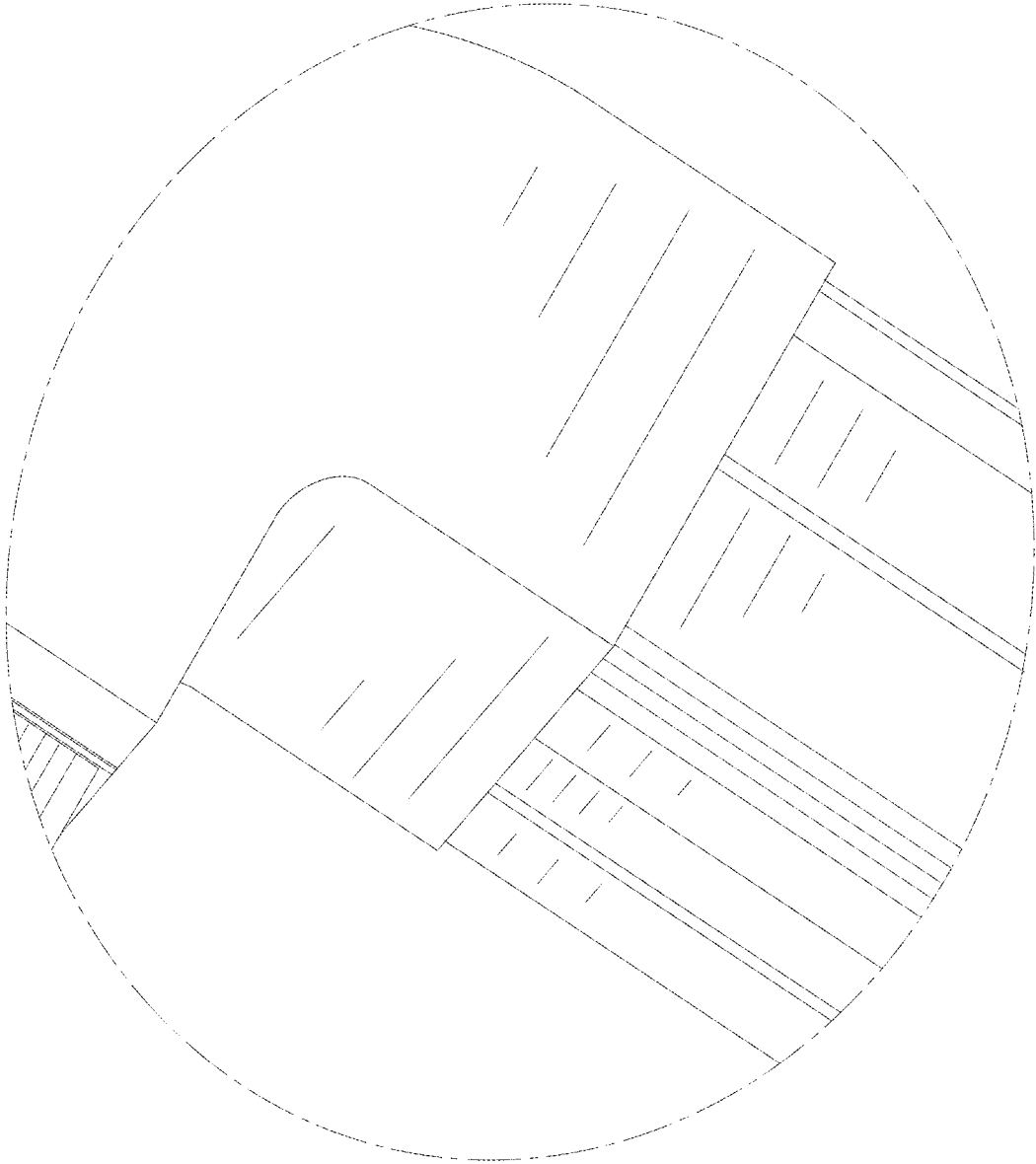


FIG. 17

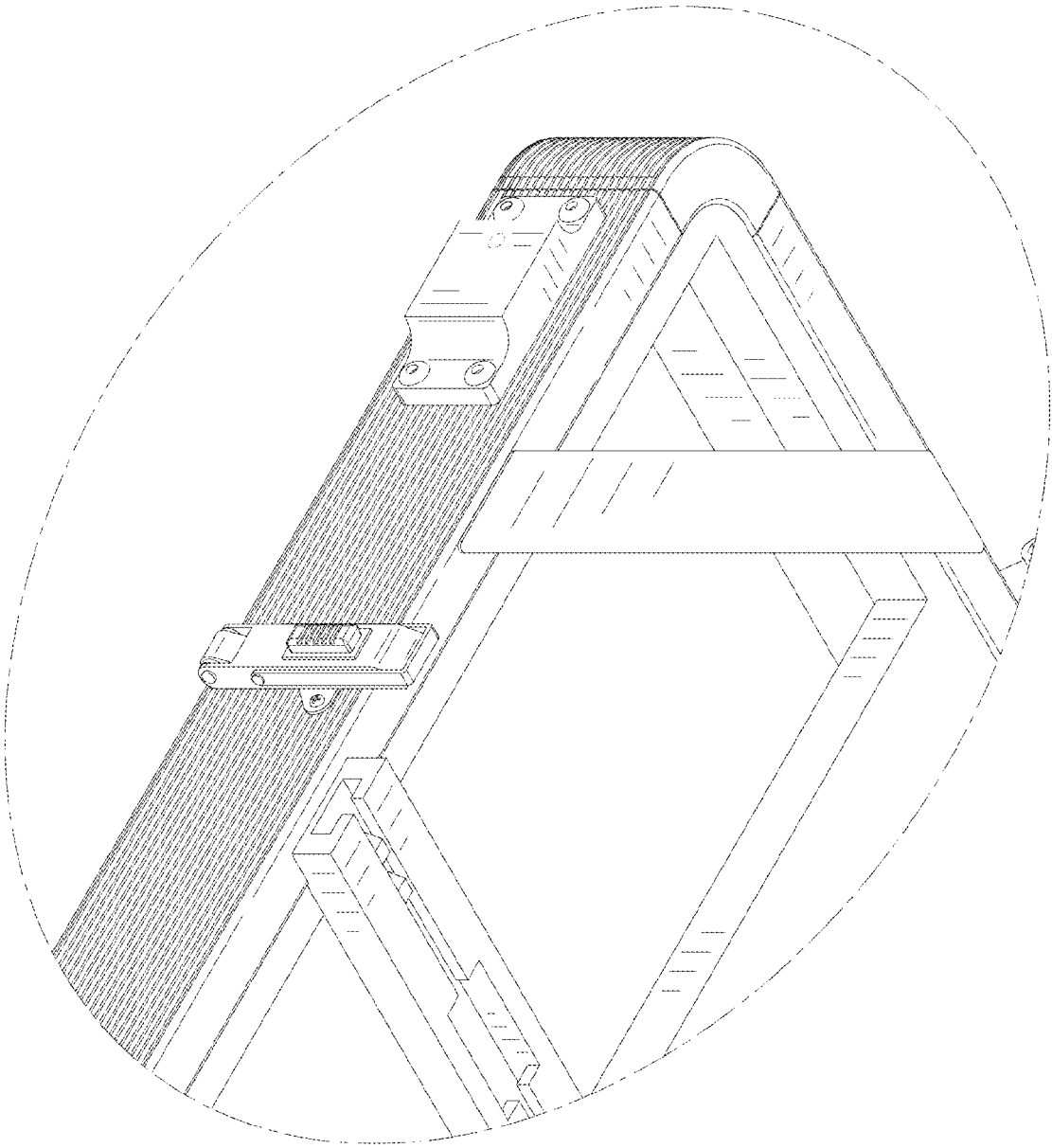


FIG. 18

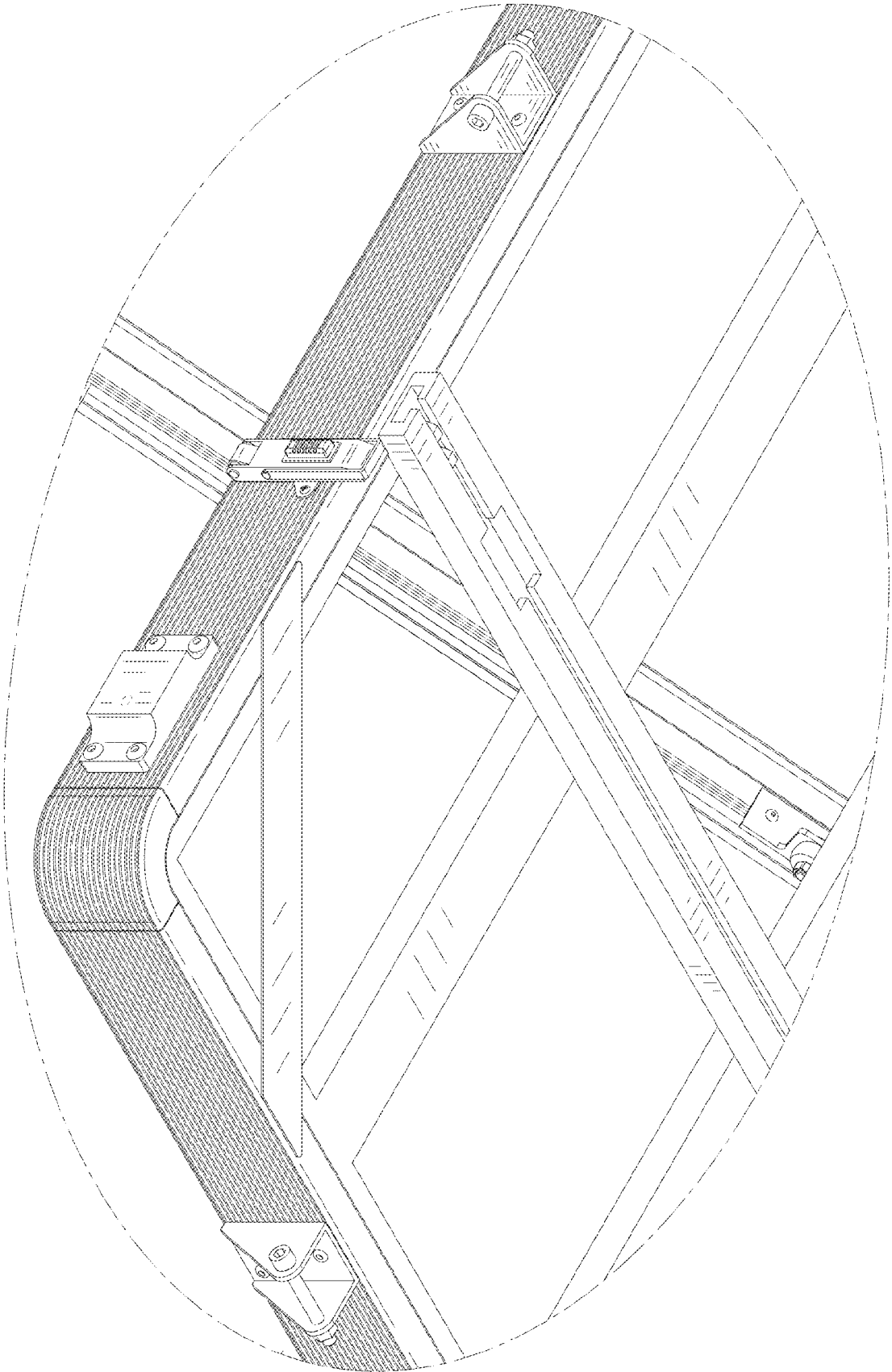


FIG. 19

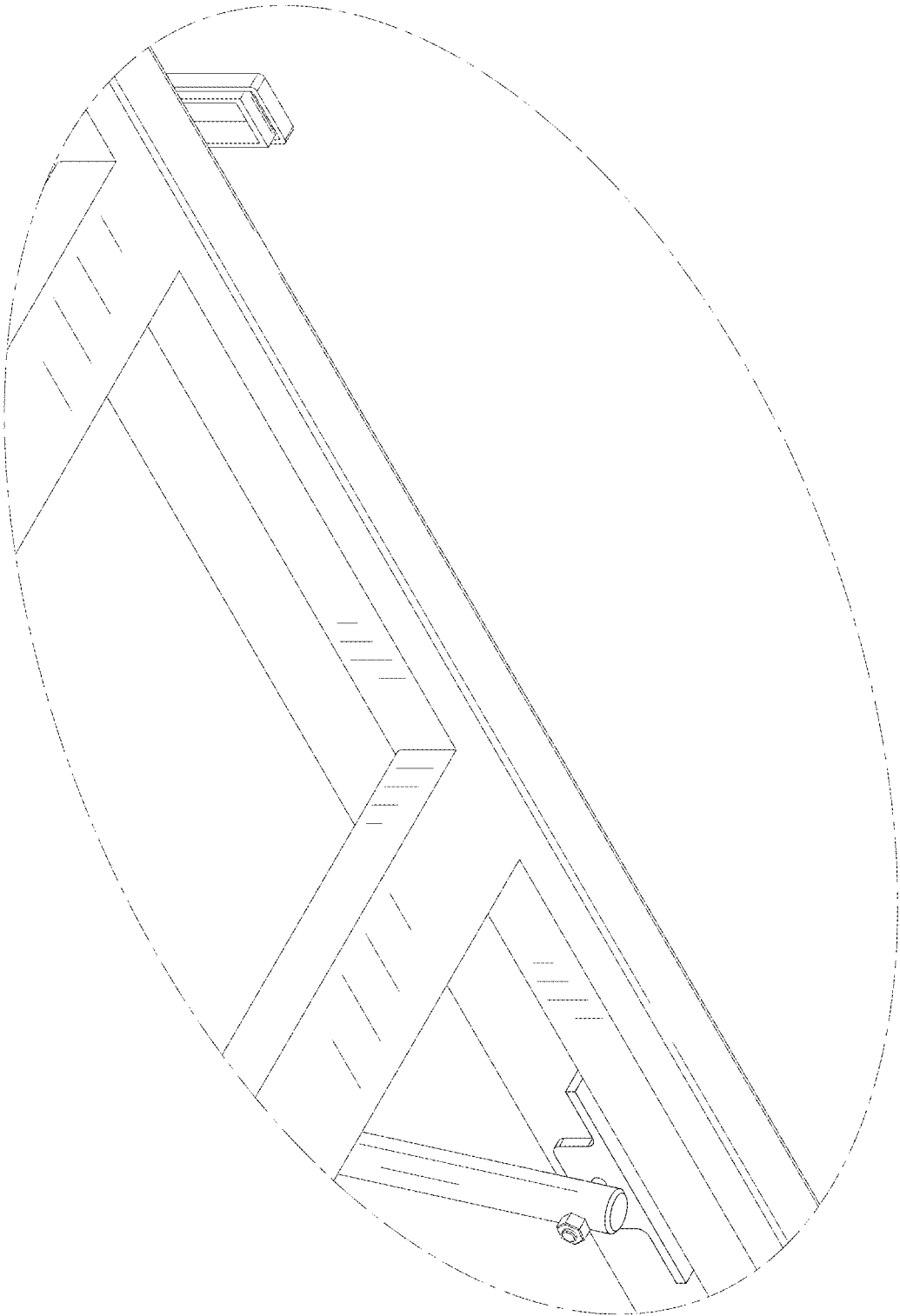


FIG. 20

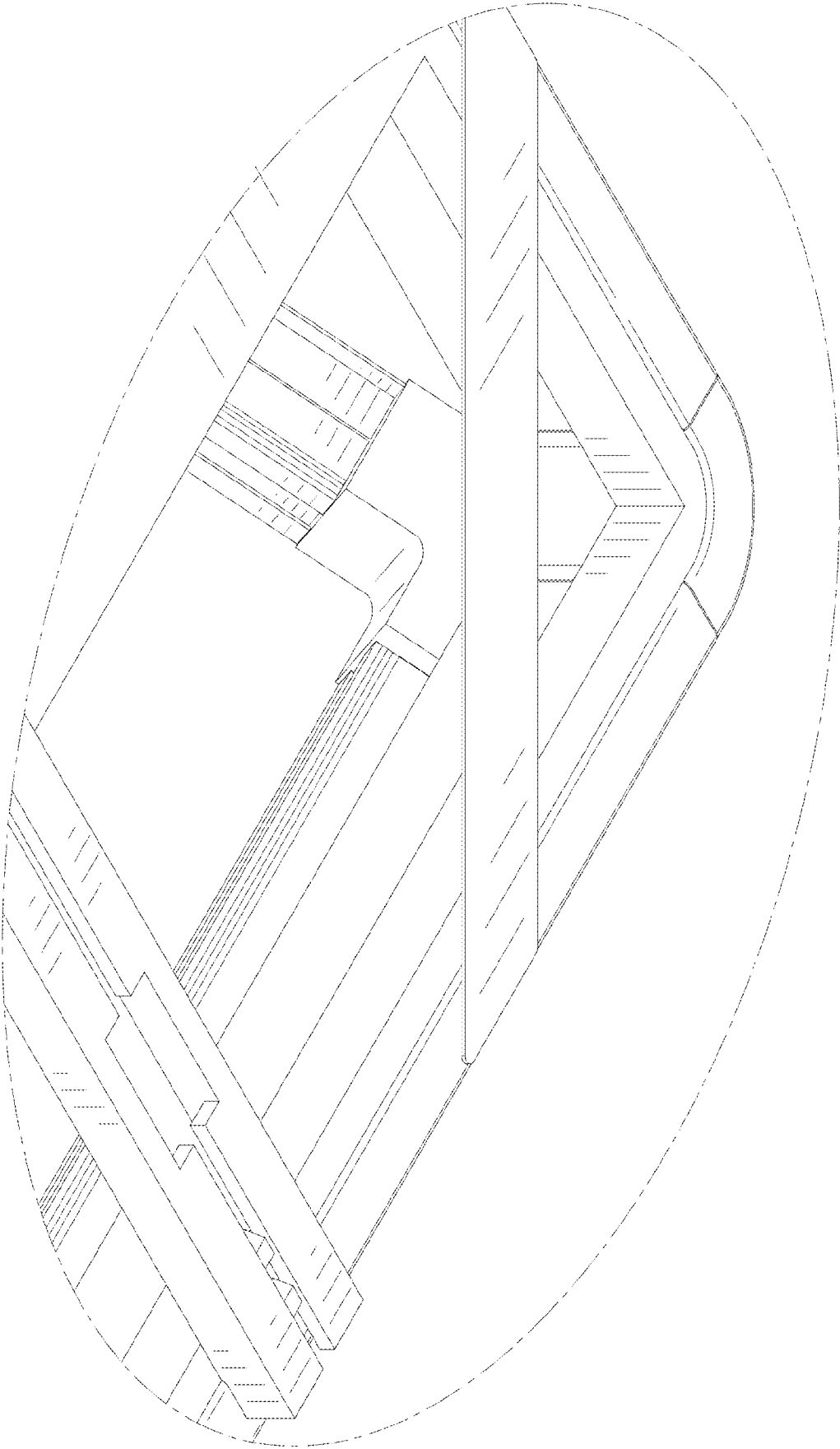


FIG. 21