



US00D755948S

(12) **United States Design Patent**
Ertze

(10) **Patent No.:** **US D755,948 S**

(45) **Date of Patent:** **** May 10, 2016**

(54) **CEILING FAN BLADE**

D715,418 S * 10/2014 Schulzman D23/377

(71) Applicant: **YOUNGO LIMITED**, Central (HK)

* cited by examiner

(72) Inventor: **Pablo J. Ertze**, Ontario, CA (US)

Primary Examiner — Sandra Snapp

(73) Assignee: **YOUNGO LIMITED**, Central (HK)

(74) *Attorney, Agent, or Firm* — Bruce Stone LLP; Joseph A. Bruce

(**) Term: **14 Years**

(57) **CLAIM**

(21) Appl. No.: **29/501,117**

The ornamental design for a ceiling fan blade, as shown and described.

(22) Filed: **Sep. 2, 2014**

(51) **LOC (10) Cl.** **23-04**

(52) **U.S. Cl.**

USPC **D23/413**

(58) **Field of Classification Search**

USPC D23/370-385, 411-414, 59;
392/360-364; 416/5, 170 R, 93 R,
416/210 R, 223 R, 207

CPC F04D 29/34; F04D 29/38; F04D 25/088
See application file for complete search history.

DESCRIPTION

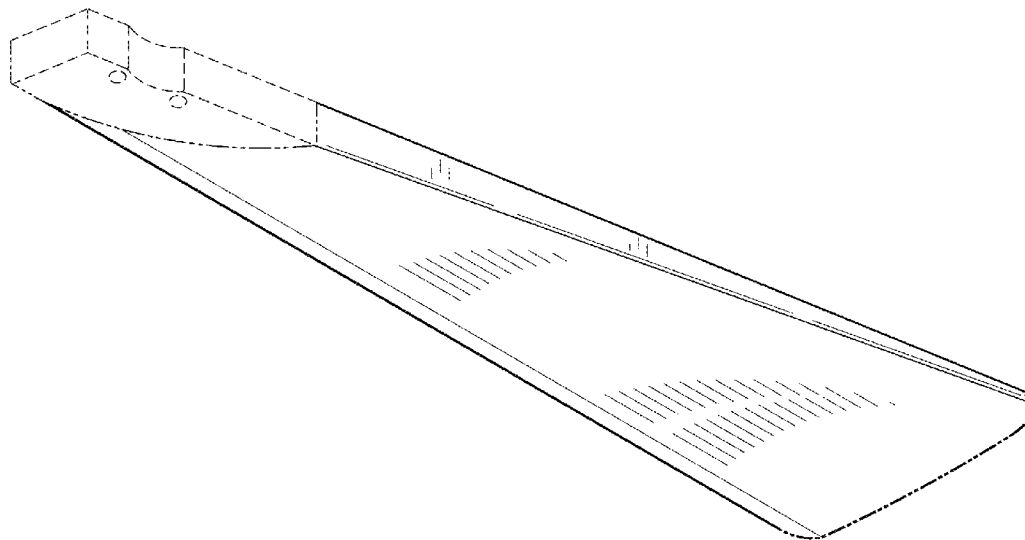
FIG. 1 is a perspective view of the present design;
FIG. 2 is a front view of the present design;
FIG. 3 is a rear view of the present design;
FIG. 4 is a left side view of the present design;
FIG. 5 is a right side view of the present design;
FIG. 6 is a top view of the present design;
FIG. 7 is a bottom view of the present design; and,
FIG. 8 is another perspective view of the present design.
The broken lines showing structural features are for illustrative purposes only and form no part of the claimed design. The dot-dot-dash lines indicate boundaries of the claimed design, and form no part thereof.

(56) **References Cited**

U.S. PATENT DOCUMENTS

D476,406 S * 6/2003 Friedes D23/377
D514,216 S * 1/2006 Hidalgo D23/377
D609,799 S * 2/2010 Lee D23/377

1 Claim, 5 Drawing Sheets



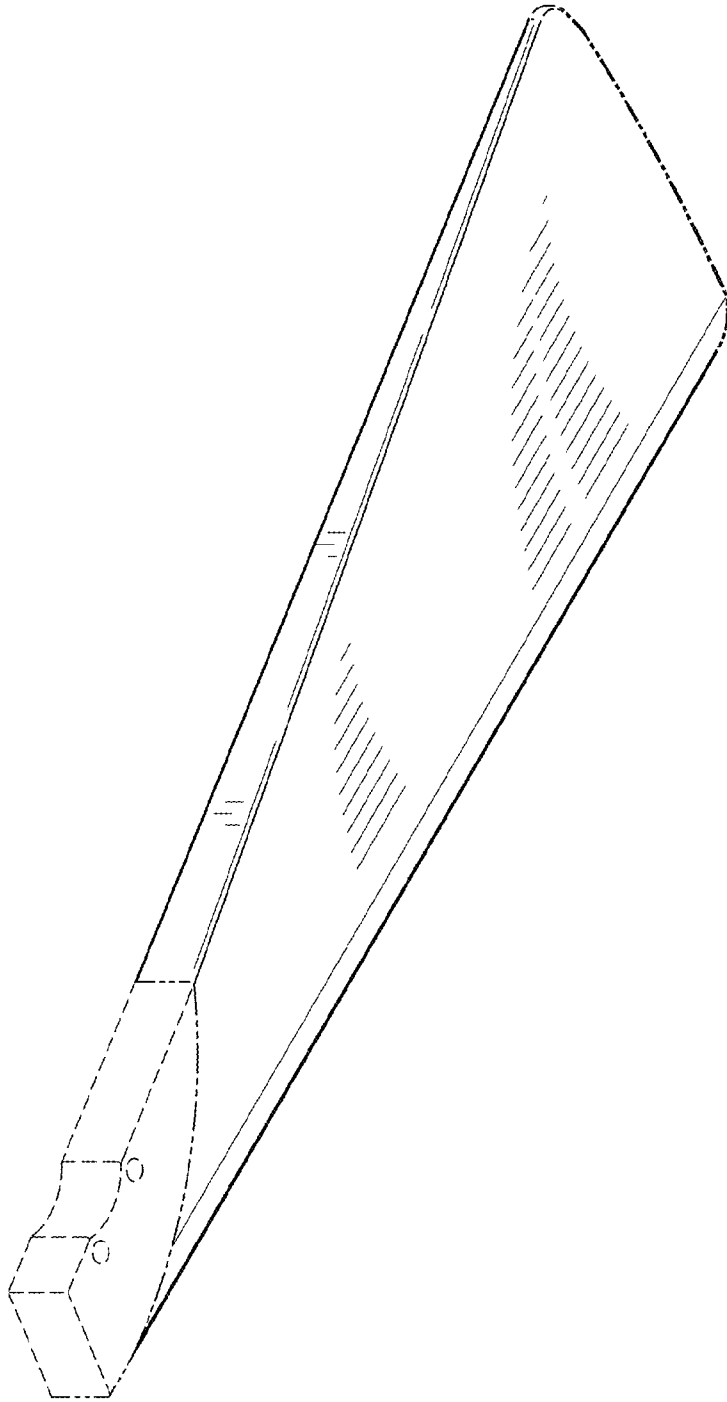


FIG. 1



FIG. 2



FIG. 3



FIG. 5

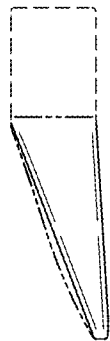


FIG. 4

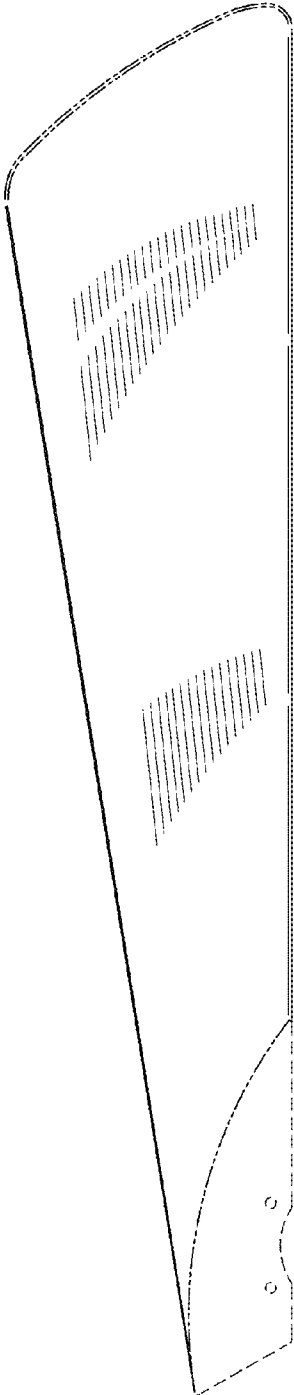


FIG. 6

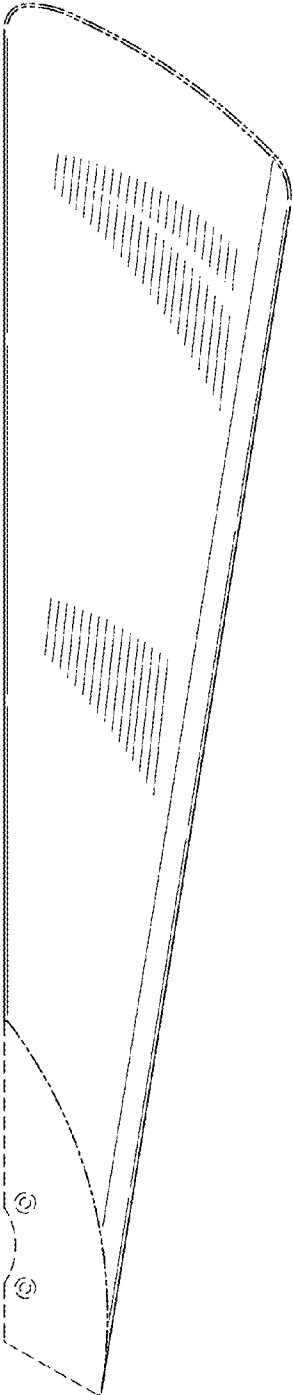


FIG. 7

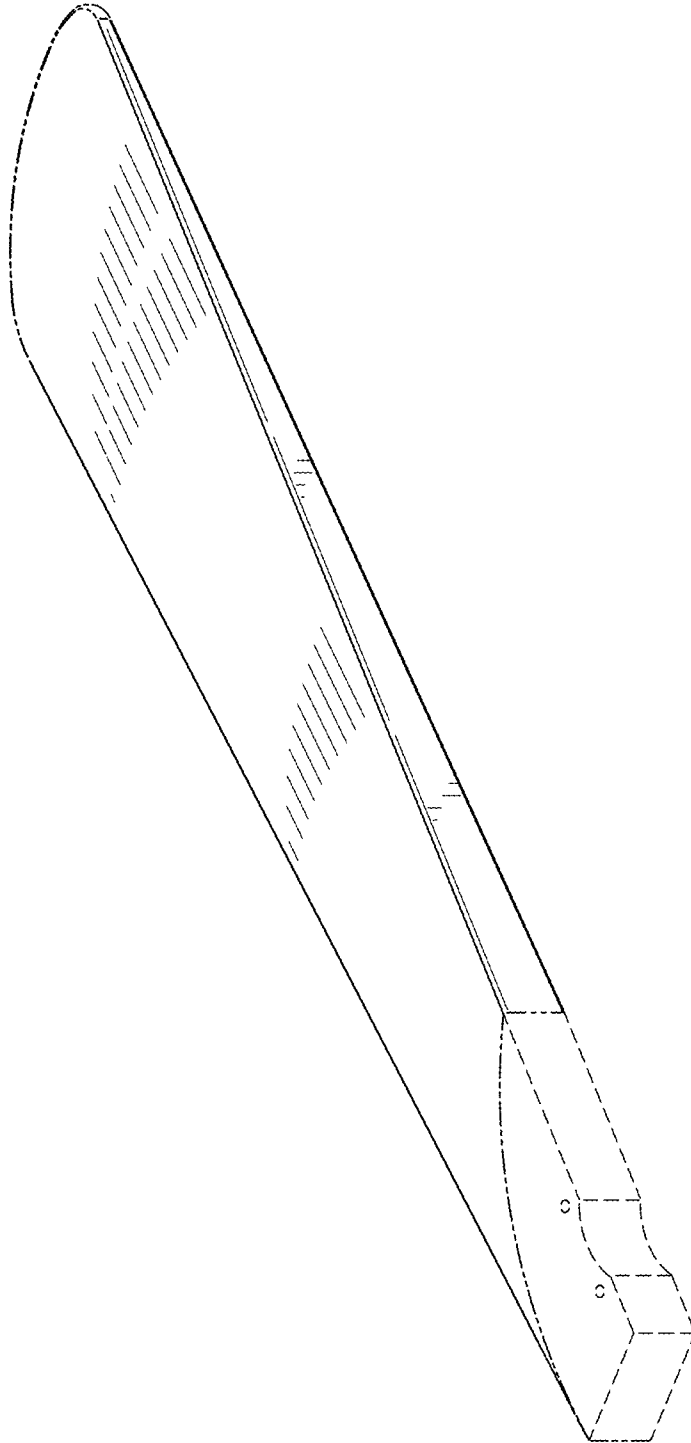


FIG. 8