



US00D534396S

(12) **United States Design Patent**  
**Kramer**

(10) **Patent No.:** **US D534,396 S**

(45) **Date of Patent:** **\*\* Jan. 2, 2007**

(54) **MUG**

(75) Inventor: **Jeffrey A. Kramer**, Miami Beach, FL (US)

(73) Assignee: **Bullet Line, Inc.**, Miami, FL (US)

(\*\*) Term: **14 Years**

(21) Appl. No.: **29/241,779**

(22) Filed: **Oct. 31, 2005**

D434,275 S	*	11/2000	Ginuntoli et al.	.....	D7/533
6,269,949 B1	*	8/2001	Gottlieb	.....	206/519
D458,807 S	*	6/2002	Trazzi	.....	D7/532
D462,575 S	*	9/2002	Gluck	.....	D7/510
D462,578 S	*	9/2002	Janky	.....	D7/533
D466,371 S	*	12/2002	Parker	.....	D7/510
D468,588 S	*	1/2003	Norris et al.	.....	D7/532
D472,101 S	*	3/2003	Janky	.....	D7/532
D474,077 S	*	5/2003	Hatsumoto	.....	D7/608
D475,243 S	*	6/2003	Trazzi	.....	D7/532
D507,458 S	*	7/2005	Allen et al.	.....	D7/532
D511,653 S	*	11/2005	Oas	.....	D7/507
D512,269 S	*	12/2005	Trombly	.....	D7/510

**Related U.S. Application Data**

(63) Continuation-in-part of application No. 29/233,081, filed on Jun. 28, 2005.

(51) **LOC (8) Cl.** ..... **07-01**

(52) **U.S. Cl.** ..... **D7/532; D7/523**

(58) **Field of Classification Search** ..... D7/509,  
D7/510, 511, 523, 532, 533, 536; 220/737,  
220/710.5, 714, 711, 713, 719, 732; 215/396,  
215/DIG. 8; 294/31.2; 229/400; 206/519  
See application file for complete search history.

**References Cited**

**U.S. PATENT DOCUMENTS**

D199,336 S	*	10/1964	Wanderer	.....	D9/429
D387,620 S	*	12/1997	Trombly	.....	D7/510
D398,187 S	*	9/1998	Parker	.....	D7/510
D417,589 S	*	12/1999	Parker	.....	D7/510
D424,878 S	*	5/2000	Freed	.....	D7/533
D428,769 S	*	8/2000	Mensch et al.	.....	D7/533

\* cited by examiner

*Primary Examiner*—M. N. Pandozzi

(74) *Attorney, Agent, or Firm*—Malloy & Malloy, P.A.

(57) **CLAIM**

The ornamental design for mug, as shown and described.

**DESCRIPTION**

FIG. 1 is a front perspective view of a mug showing my new design;

FIG. 2 is a front elevational view thereof;

FIG. 3 is a left side view thereof;

FIG. 4 is a top view thereof;

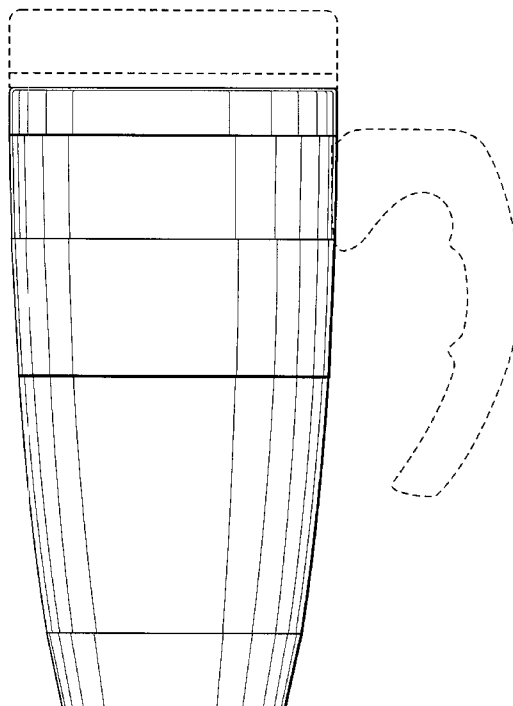
FIG. 5 is a right side view thereof;

FIG. 6 is a bottom view thereof; and,

FIG. 7 is a rear view thereof.

The broken lines in the drawings are for illustrative purposes only and form no part of the claimed design.

**1 Claim, 6 Drawing Sheets**



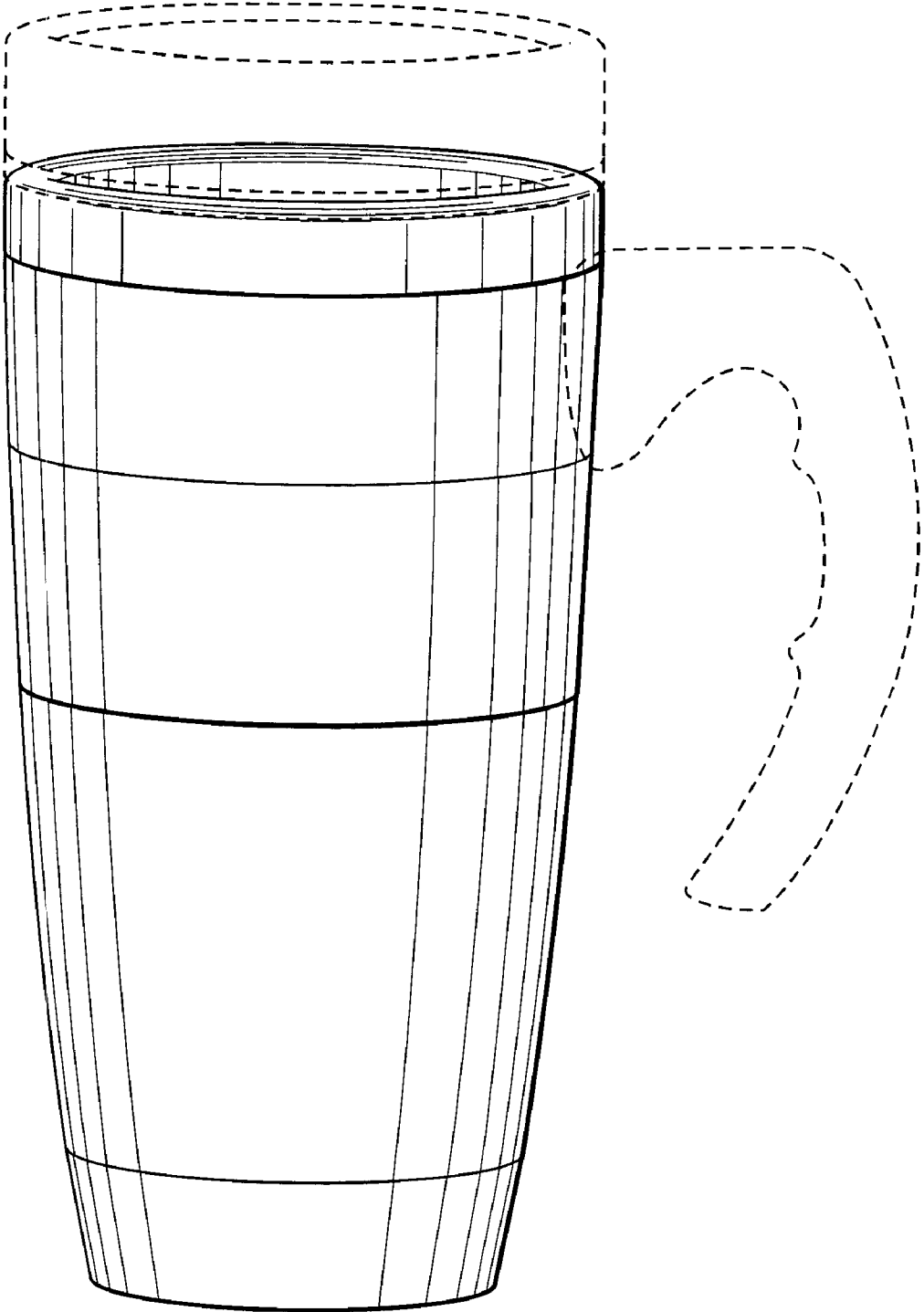


FIG. 1

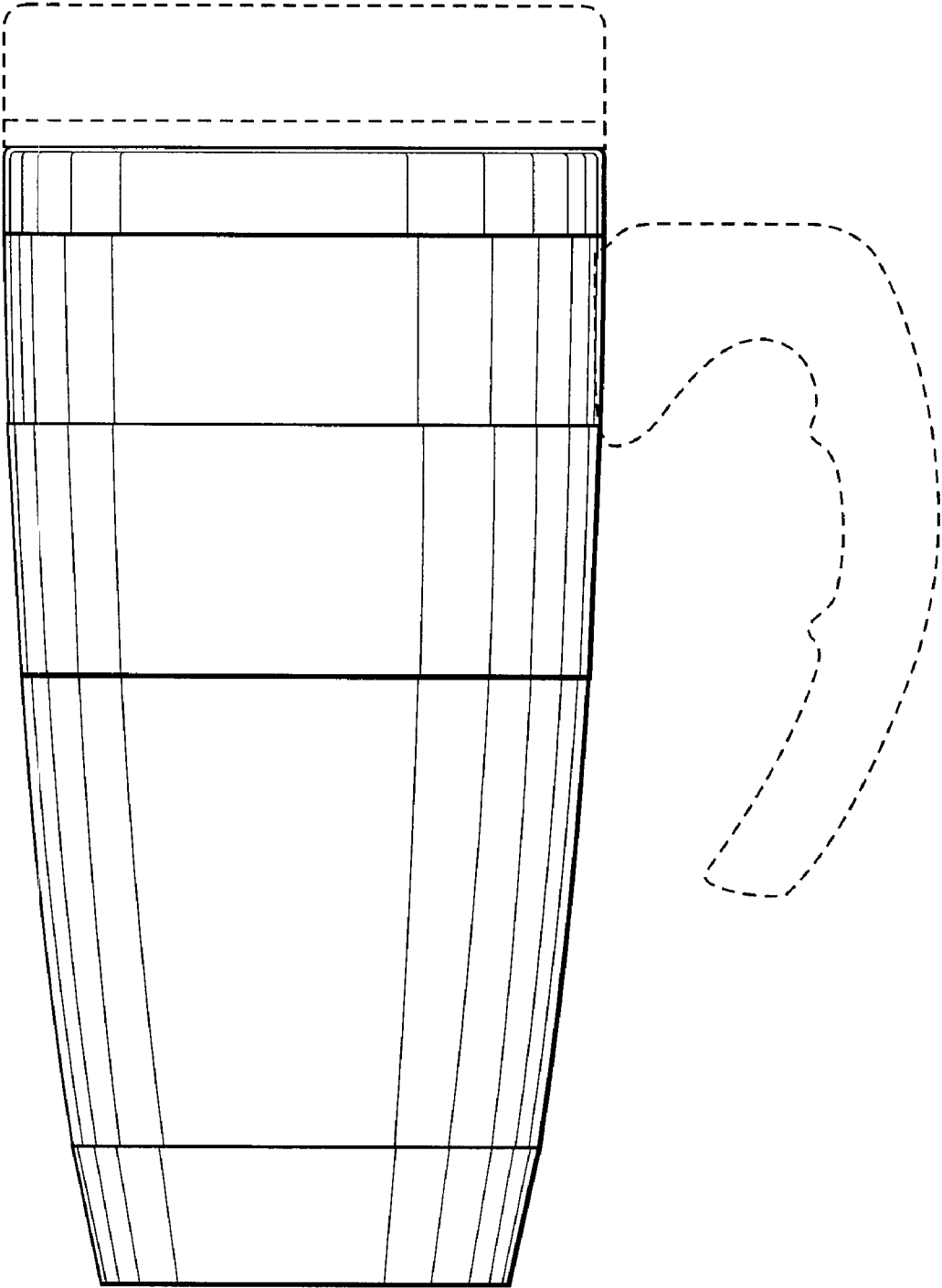


FIG. 2

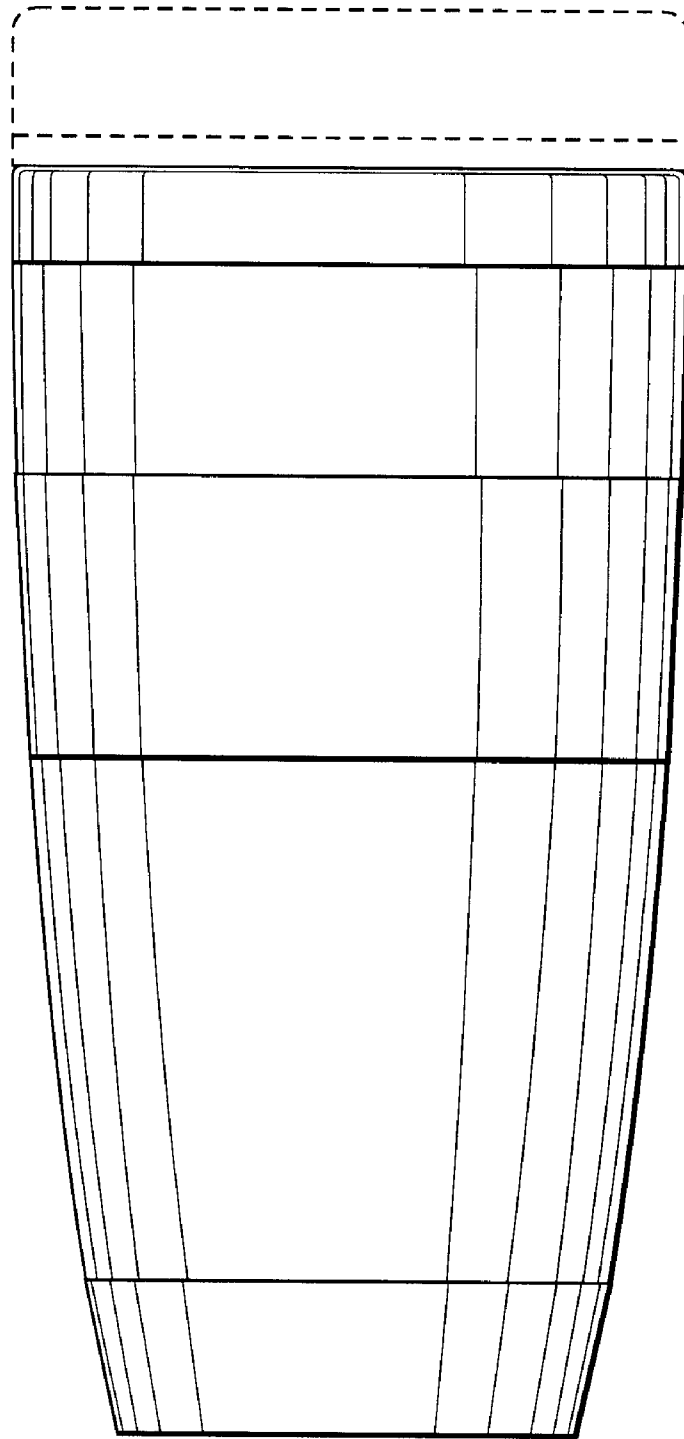


FIG. 3

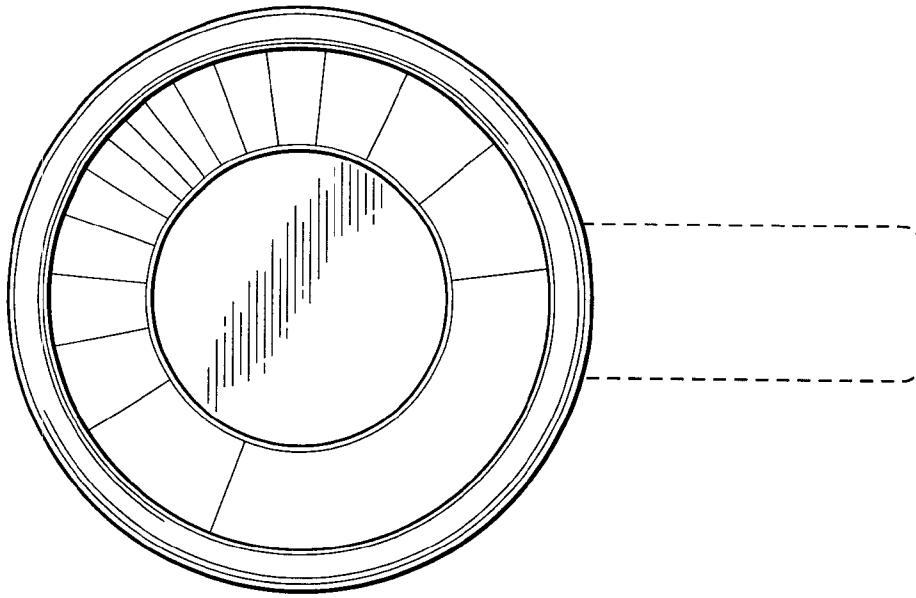


FIG. 4

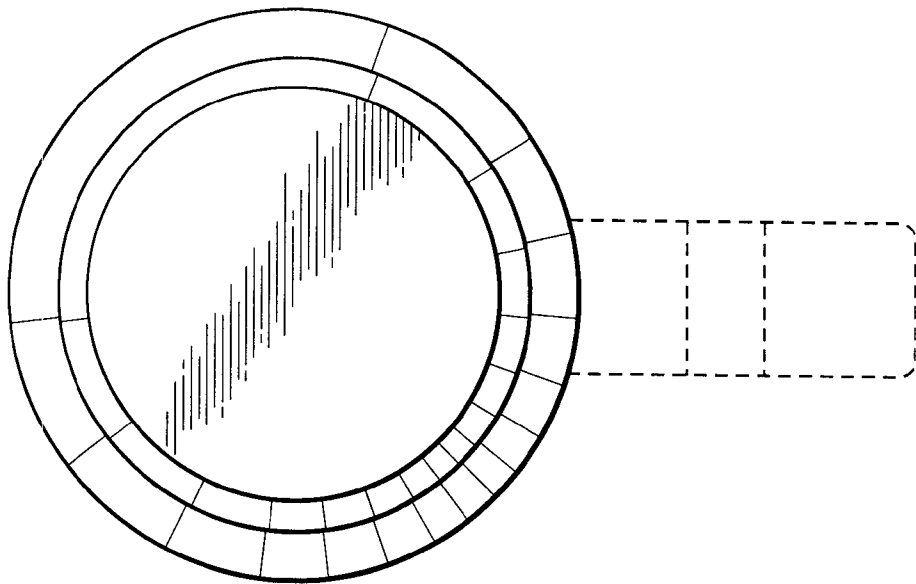


FIG. 6

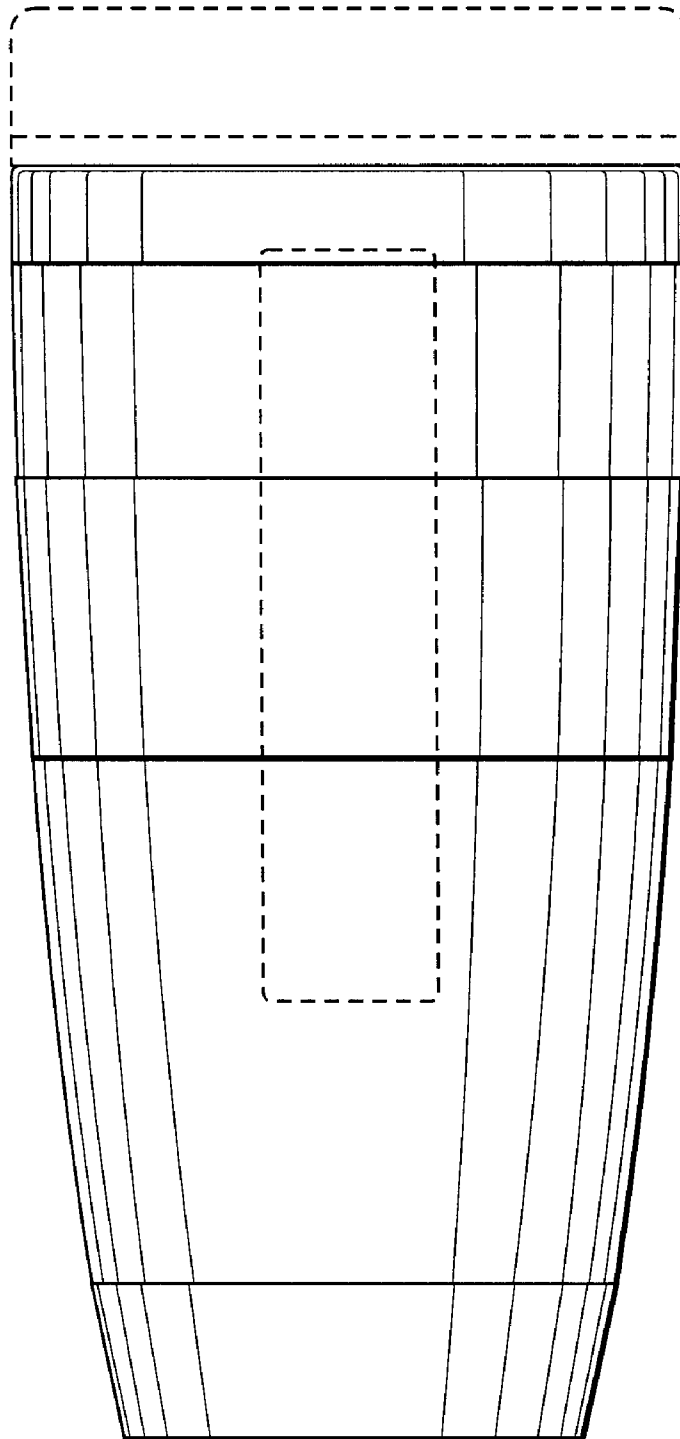


FIG. 5

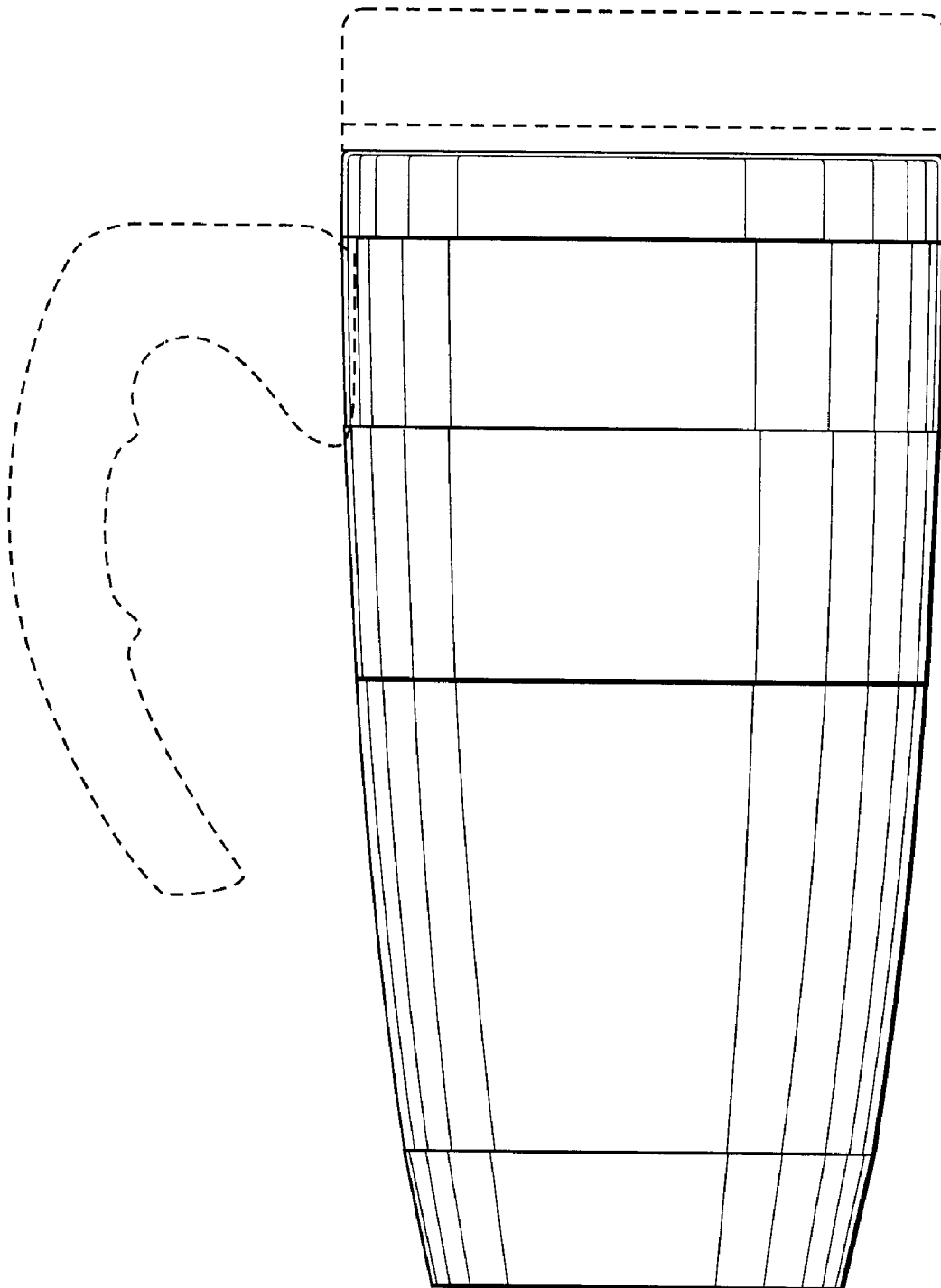


FIG. 7