

(19) World Intellectual Property Organization
International Bureau



(43) International Publication Date
16 November 2006 (16.11.2006)

PCT

(10) International Publication Number
WO 2006/122087 A3

- (51) International Patent Classification:
B65D 55/02 (2006.01) A45C 13/10 (2006.01)
B65D 55/14 (2006.01)
- (21) International Application Number:
PCT/US2006/017847
- (22) International Filing Date: 9 May 2006 (09.05.2006)
- (25) Filing Language: English
- (26) Publication Language: English
- (30) Priority Data:
60/679,140 9 May 2005 (09.05.2005) US
60/686,353 1 June 2005 (01.06.2005) US
60/686,817 2 June 2005 (02.06.2005) US
60/705,390 4 August 2005 (04.08.2005) US
60/717,553 15 September 2005 (15.09.2005) US
- (71) Applicant (for all designated States except US): **SAFETYSTREAM MOBILE LIMITED** [NZ/NZ]; 2/18 Church Street, Northcote Point (NZ).
- (72) Inventors; and
- (75) Inventors/Applicants (for US only): **HODGSON,**

John, W. [NZ/NZ]; 2/18 Church Street, Northcote Point, Auckland (NZ). **ROUTT, Thomas, James** [US/US]; 711 Driftwood Place, Edmonds, WA 98020 (US). **HAMLING, Christopher, Murray, Anthony** [NZ/NZ]; 95a Weatherly Road, Tor Bay, XX, Auckland (NZ).

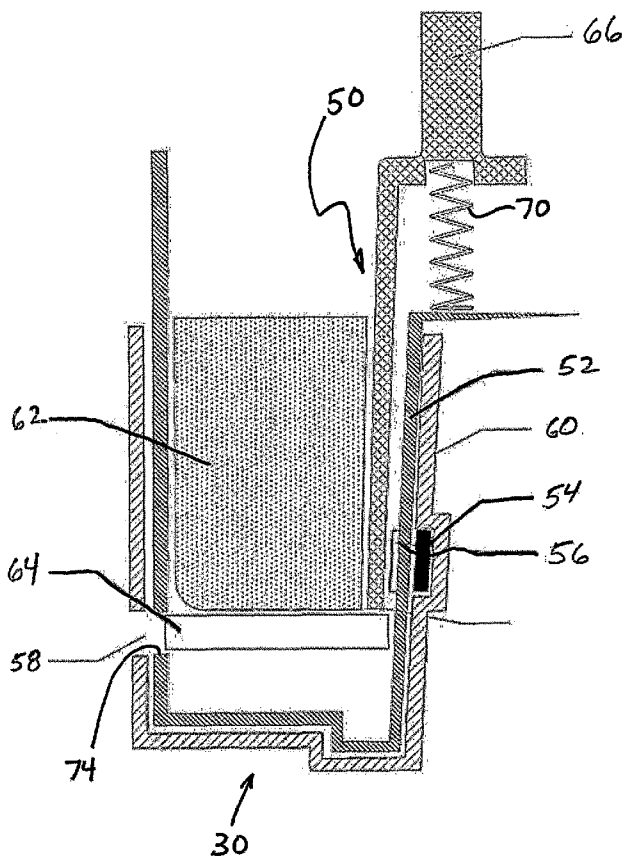
(74) Agent: **CHACLAS, George, N.;** EDWARDS ANGELL PALMER & DODGE LLP, P.O. Box 55874, Boston, MA 02205 (US).

(81) Designated States (unless otherwise indicated, for every kind of national protection available): AE, AG, AL, AM, AT, AU, AZ, BA, BB, BG, BR, BW, BY, BZ, CA, CH, CN, CO, CR, CU, CZ, DE, DK, DM, DZ, EC, EE, EG, ES, FI, GB, GD, GE, GH, GM, HR, HU, ID, IL, IN, IS, JP, KE, KG, KM, KN, KP, KR, KZ, LC, LK, LR, LS, LT, LU, LV, LY, MA, MD, MG, MK, MN, MW, MX, MZ, NA, NG, NI, NO, NZ, OM, PG, PH, PL, PT, RO, RU, SC, SD, SE, SG, SK, SL, SM, SY, TJ, TM, TN, TR, TT, TZ, UA, UG, US, UZ, VC, VN, YU, ZA, ZM, ZW.

(84) Designated States (unless otherwise indicated, for every kind of regional protection available): ARIPO (BW, GH,

[Continued on next page]

(54) Title: METHOD FOR USING A TABLE OF DATA TO CONTROL ACCESS AND A LOCKING MECHANISM USING SAME



(57) Abstract: A container has a lid and a locking mechanism. The locking mechanism includes a male wall with a switch. A female wall mounts to the inside wall of the container and, when closed, encompasses the male wall. The female wall has a magnet that activates the switch. A lever contained inside the male wall moves into and out of a slot formed in the female wall. The switch completes a circuit that generates a close signal to the lever when the lid is closed. A button extends through a hole in the lid such that the button can be depressed to indicate locking and cannot be depressed when unlocked. When unlocked, the button cannot be depressed because the lever blocks the button. To open the container when closed, the actuation mechanism moves the lever in response to an entered code that must match a stored code or calculated content-specific code.

WO 2006/122087 A3



GM, KE, LS, MW, MZ, NA, SD, SL, SZ, TZ, UG, ZM, ZW), Eurasian (AM, AZ, BY, KG, KZ, MD, RU, TJ, TM), European (AT, BE, BG, CH, CY, CZ, DE, DK, EE, ES, FI, FR, GB, GR, HU, IE, IS, IT, LT, LU, LV, MC, NL, PL, PT, RO, SE, SI, SK, TR), OAPI (BF, BJ, CF, CG, CI, CM, GA, GN, GQ, GW, ML, MR, NE, SN, TD, TG).

Published:

— *with international search report*

(88) Date of publication of the international search report:
28 June 2007

For two-letter codes and other abbreviations, refer to the "Guidance Notes on Codes and Abbreviations" appearing at the beginning of each regular issue of the PCT Gazette.

INTERNATIONAL SEARCH REPORT

International application No.

PCT/US 06/17847

A. CLASSIFICATION OF SUBJECT MATTER IPC(8): B65D 55/02 (2006.01); B65D 55/14 (2006.01); A45C 13/10 (2006.01) USPC: 206/1.5; 220/538 According to International Patent Classification (IPC) or to both national classification and IPC		
B. FIELDS SEARCHED Minimum documentation searched (classification system followed by classification symbols) USPC:206/1.5; 220/538 Documentation searched other than minimum documentation to the extent that such documents are included in the fields searched USPC: 220/540-550 Electronic data base consulted during the international search (name of data base and, where practicable, search terms used) Electronic data base: USPTO WEST(PGPB,USPT,USOC,EPAB,JPAB) Search terms used: secure (container or box or tin), locking (mechanism or control), (access or activation) (code or number or digit), RFID, random, processor or computer, validation, algorithm, modulo, solenoid, controller, sliding button		
C. DOCUMENTS CONSIDERED TO BE RELEVANT		
Category*	Citation of document, with indication, where appropriate, of the relevant passages	Relevant to claim No.
Y	US 6,265,973 B1 (BRAMMALL et al.) 24 July 2001 (24.07.2001) Abstract; Figs. 1, 1a, 6, 14, 14a, 19; col 1, ln 11 - col 2, ln 32, col 3, ln 3-12, col 4, ln 57-63, col 5, ln 3-28, col. 7, ln 51, col. 9, ln 22	1-17
Y	US 4,673,914 A (LEE) 16 June 1987 (16.06.1987) Abstract; Figs 4-6; col 2, ln 59 - col 3, ln 2, col 4, ln 36-63	1-17
Y	US 2003/0098774 A1 (CHORNENKY) 29 May 2003 (29.05.2003) [Fig. 1, para [0026], [0065], and [0068]	6 and 12
X	US 2002/0170473 A1 (FETTIS) 21 November 2002 (21.11.2002) entire document	11-17
<input type="checkbox"/> Further documents are listed in the continuation of Box C. <input type="checkbox"/>		
* Special categories of cited documents: "A" document defining the general state of the art which is not considered to be of particular relevance "E" earlier application or patent but published on or after the international filing date "L" document which may throw doubts on priority claim(s) or which is cited to establish the publication date of another citation or other special reason (as specified) "O" document referring to an oral disclosure, use, exhibition or other means "P" document published prior to the international filing date but later than the priority date claimed "T" later document published after the international filing date or priority date and not in conflict with the application but cited to understand the principle or theory underlying the invention "X" document of particular relevance; the claimed invention cannot be considered novel or cannot be considered to involve an inventive step when the document is taken alone "Y" document of particular relevance; the claimed invention cannot be considered to involve an inventive step when the document is combined with one or more other such documents, such combination being obvious to a person skilled in the art "&" document member of the same patent family		
Date of the actual completion of the international search 06 December 2006 (06.12.2006)		Date of mailing of the international search report 16 FEB 2007
Name and mailing address of the ISA/US Mail Stop PCT, Attn: ISA/US, Commissioner for Patents P.O. Box 1450, Alexandria, Virginia 22313-1450 Facsimile No. 571-273-3201		Authorized officer: Lee W. Young PCT Helpdesk: 571-272-4300 PCT OSP: 571-272-7774

INTERNATIONAL SEARCH REPORT

International application No.

PCT/US 06/17847

Box No. II Observations where certain claims were found unsearchable (Continuation of item 2 of first sheet)

This international search report has not been established in respect of certain claims under Article 17(2)(a) for the following reasons:

1. Claims Nos.:
because they relate to subject matter not required to be searched by this Authority, namely:

2. Claims Nos.:
because they relate to parts of the international application that do not comply with the prescribed requirements to such an extent that no meaningful international search can be carried out, specifically:

3. Claims Nos.:
because they are dependent claims and are not drafted in accordance with the second and third sentences of Rule 6.4(a).

Box No. III Observations where unity of invention is lacking (Continuation of item 3 of first sheet)

This International Searching Authority found multiple inventions in this international application, as follows:

Group 1 (Claims 1-17) is drawn to a container having a locking mechanism, the locking mechanism having an actuation mechanism that selectively moves a lever into and out of a locking slot upon receipt and validation of a code.

Group 2 (Claims 18-24) is drawn to a method for accessing a secure container using an opening code.

The secure container of Group 2 does not require the specifics of those of Group 1 (i.e., at least an actuation mechanism/solenoid that moves a lever/pin). Furthermore, locks using open codes are well known in the art. Therefore unity is not present, as there is no special technical feature common to both groups which makes a contribution over the prior art.

1. As all required additional search fees were timely paid by the applicant, this international search report covers all searchable claims.
2. As all searchable claims could be searched without effort justifying additional fees, this Authority did not invite payment of additional fees.
3. As only some of the required additional search fees were timely paid by the applicant, this international search report covers only those claims for which fees were paid, specifically claims Nos.:
4. No required additional search fees were timely paid by the applicant. Consequently, this international search report is restricted to the invention first mentioned in the claims; it is covered by claims Nos.:
1-17

Remark on Protest

- The additional search fees were accompanied by the applicant's protest and, where applicable, the payment of a protest fee.
- The additional search fees were accompanied by the applicant's protest but the applicable protest fee was not paid within the time limit specified in the invitation.
- No protest accompanied the payment of additional search fees.