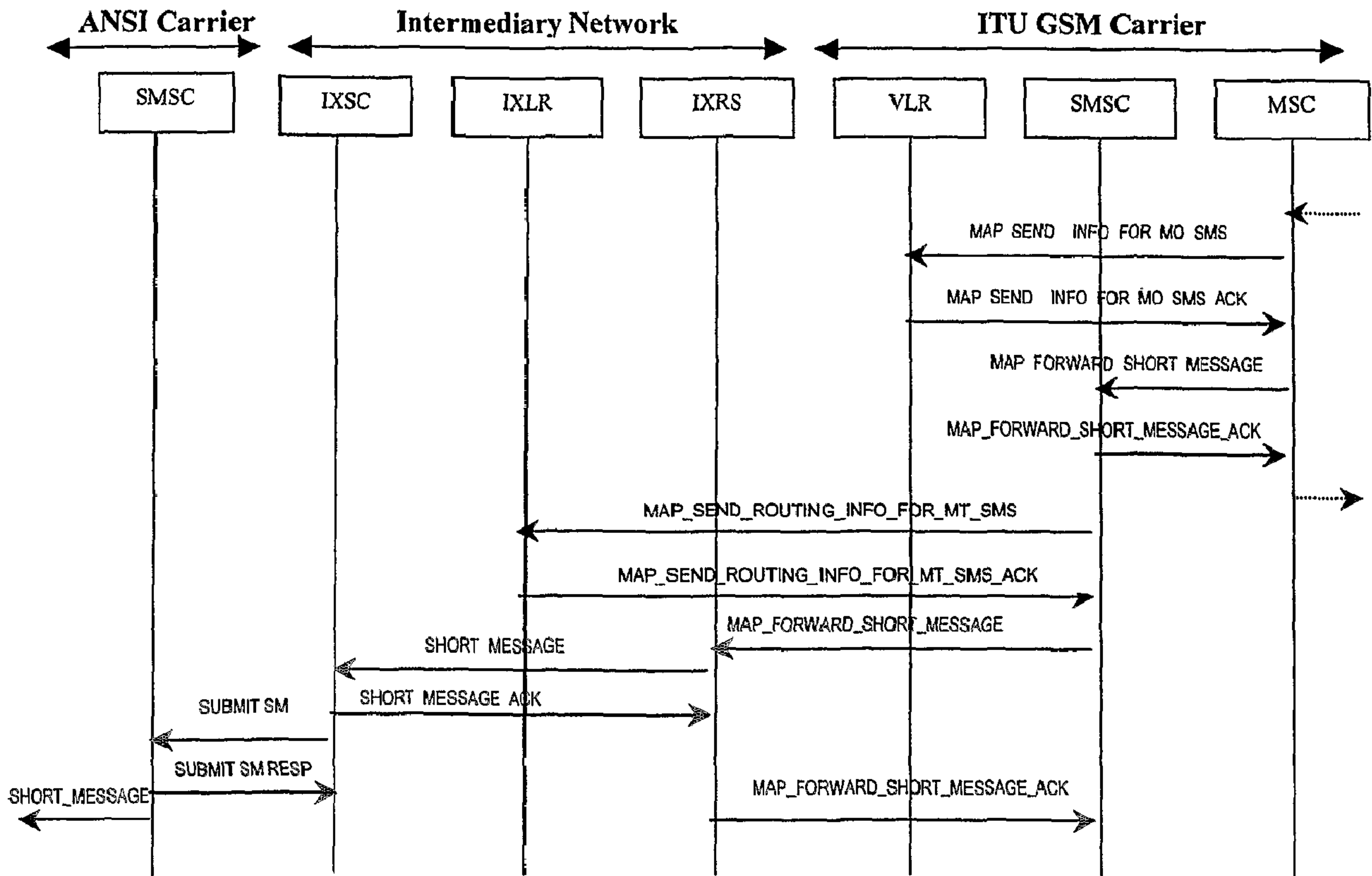




(86) Date de dépôt PCT/PCT Filing Date: 2004/03/10
 (87) Date publication PCT/PCT Publication Date: 2004/09/30
 (45) Date de délivrance/Issue Date: 2013/10/15
 (85) Entrée phase nationale/National Entry: 2005/09/13
 (86) N° demande PCT/PCT Application No.: US 2004/007105
 (87) N° publication PCT/PCT Publication No.: 2004/084012
 (30) Priorité/Priority: 2003/03/13 (US60/453,961)

(51) Cl.Int./Int.Cl. *H04W 4/14* (2009.01),
H04W 8/26 (2009.01)
 (72) Inventeurs/Inventors:
SMITH, MARK R., US;
RUPPERT, PAUL R., US;
LOVELL, ROBERT C., JR., US
 (73) Propriétaire/Owner:
MOBILE 365, US
 (74) Agent: BERESKIN & PARR LLP/S.E.N.C.R.L.,S.R.L.

(54) Titre : SOLUTION DE RESEAU VIRTUEL POUR ECHANGE DE MESSAGES SMS ENTRE RESEAUX GSM ET ANSI (TIA/EIA 41)
 (54) Title: VIRTUAL NETWORK SOLUTION FOR SMS MESSAGE EXCHANGE BETWEEN GSM AND ANSI (TIA/EIA 41) NETWORKS



(57) Abrégé/Abstract:

Systems and methods for exchanging a short message service (SMS) message between networks (ANSI Carrier, ITU GSM Carrier) operating in accordance with different standards. An intermediary system (Intermediary Network) operates between a first



(57) **Abrégé(suite)/Abstract(continued):**

network (ANSI Carrier) operating in accordance with a first standard and a second network (ITU GSM Carrier) operating in accordance with a second standard. A routing information request for an SMS message is received, at the intermediary, from the first network and the intermediary sends, in response to the routing information request, an acknowledgement message to the first network. The SMS message is thereafter received at the intermediary and an acknowledgement of receipt of the SMS message is generated in the intermediary and then sent to the first network. The SMS message is then sent from the intermediary to the second network. In a preferred embodiment, the intermediary is an entity distinct from the first and second networks, but operates as a virtual MSC from the perspective of the first and second networks.

(12) INTERNATIONAL APPLICATION PUBLISHED UNDER THE PATENT COOPERATION TREATY (PCT)

(19) World Intellectual Property
Organization
International Bureau



(43) International Publication Date
30 September 2004 (30.09.2004)

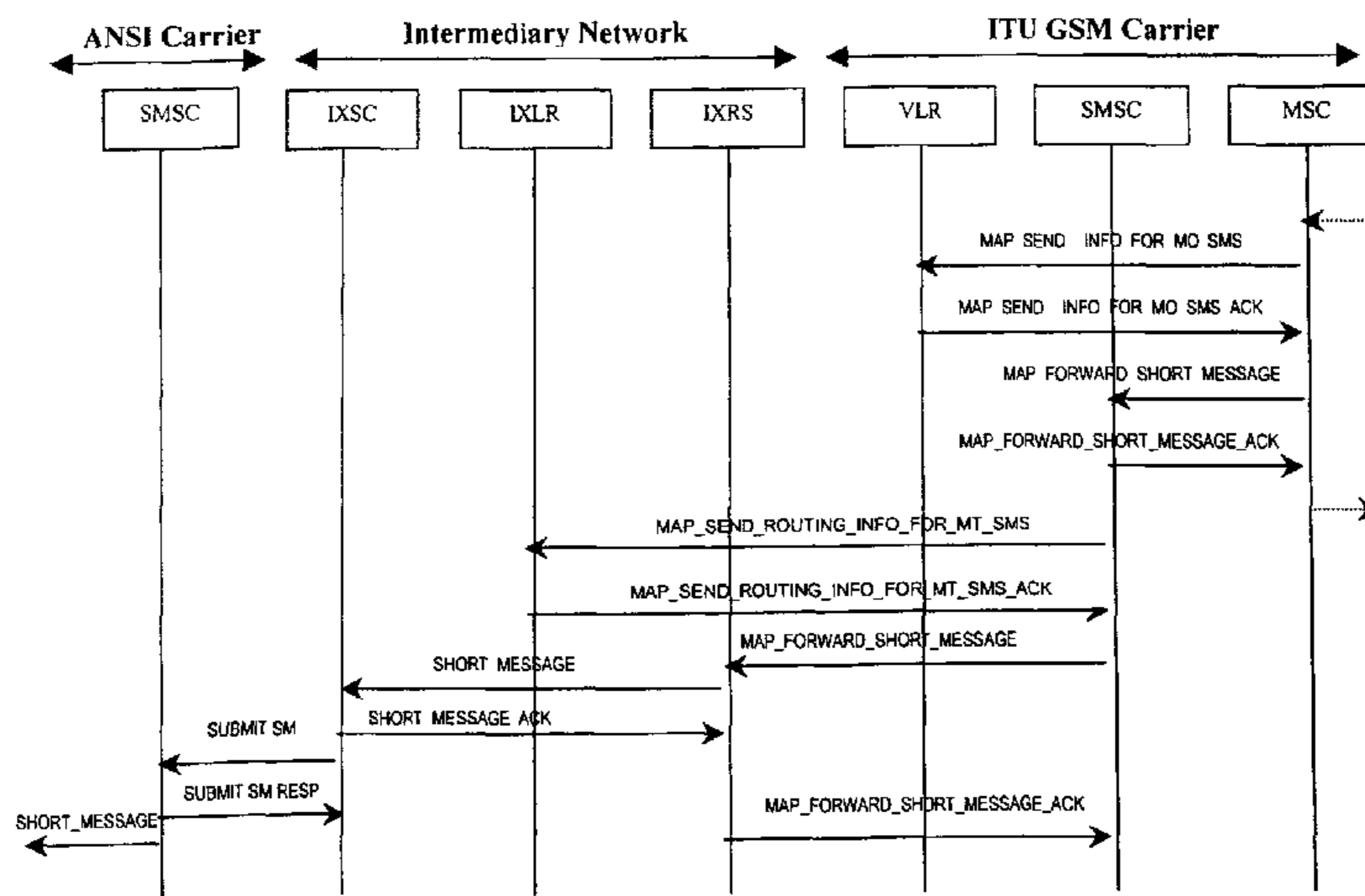
PCT

(10) International Publication Number
WO 2004/084012 A3

- (51) International Patent Classification⁷: **H04Q 7/20**, 7/32
- (21) International Application Number: PCT/US2004/007105
- (22) International Filing Date: 10 March 2004 (10.03.2004)
- (25) Filing Language: English
- (26) Publication Language: English
- (30) Priority Data:
60/453,961 13 March 2003 (13.03.2003) US
- (71) Applicant (for all designated States except US): **IN-PHOMATCH, INC.** [US/US]; Suite 300, 4511 Singer Court, Chantilly, VA 20151 (US).
- (72) Inventors; and
- (75) Inventors/Applicants (for US only): **SMITH, Mark, R.** [US/US]; 5860 University Court, Warrenton, VA 20187 (US). **RUPPERT, Paul, R.** [US/US]; 17204 Epsilon Place, Rockville, MD 20855 (US). **LOVELL, Robert, C., Jr.** [US/US]; 443 Foxridge Drive, S.W., Leesburg, VA 20175 (US).
- (74) Agents: **BEDNAREK, Michael, D.** et al.; Shaw Pittman, 1650 Tysons Boulevard, McLean, VA 22102-4859 (US).
- (81) Designated States (unless otherwise indicated, for every kind of national protection available): AE, AG, AL, AM, AT, AU, AZ, BA, BB, BG, BR, BW, BY, BZ, CA, CH, CN, CO, CR, CU, CZ, DE, DK, DM, DZ, EC, EE, EG, ES, FI, GB, GD, GE, GH, GM, HR, HU, ID, IL, IN, IS, JP, KE, KG, KP, KR, KZ, LC, LK, LR, LS, LT, LU, LV, MA, MD, MG, MK, MN, MW, MX, MZ, NA, NI, NO, NZ, OM, PG, PH, PL, PT, RO, RU, SC, SD, SE, SG, SK, SL, SY, TJ, TM, TN, TR, TT, TZ, UA, UG, US, UZ, VC, VN, YU, ZA, ZM, ZW.
- (84) Designated States (unless otherwise indicated, for every kind of regional protection available): ARIPO (BW, GH, GM, KE, LS, MW, MZ, SD, SL, SZ, TZ, UG, ZM, ZW), Eurasian (AM, AZ, BY, KG, KZ, MD, RU, TJ, TM), European (AT, BE, BG, CH, CY, CZ, DE, DK, EE, ES, FI, FR, GB, GR, HU, IE, IT, LU, MC, NL, PL, PT, RO, SE, SI, SK, TR), OAPI (BF, BJ, CF, CG, CI, CM, GA, GN, GQ, GW, ML, MR, NE, SN, TD, TG).
- Published:
— with international search report

[Continued on next page]

(54) Title: VIRTUAL NETWORK SOLUTION FOR SMS MESSAGE EXCHANGE BETWEEN GSM AND ANSI (TIA/EIA 41) NETWORKS



(57) Abstract: Systems and methods for exchanging a short message service (SMS) message between networks (ANSI Carrier, ITU GSM Carrier) operating in accordance with different standards. An intermediary system (Intermediary Network) operates between a first network (ANSI Carrier) operating in accordance with a first standard and a second network (ITU GSM Carrier) operating in accordance with a second standard. A routing information request for an SMS message is received, at the intermediary, from the first network and the intermediary sends, in response to the routing information request, an acknowledgement message to the first network. The SMS message is thereafter received at the intermediary and an acknowledgement of receipt of the SMS message is generated in the intermediary and then sent to the first network. The SMS message is then sent from the intermediary to the second network. In a preferred embodiment, the intermediary is an entity distinct from the first and second networks, but operates as a virtual MSC from the perspective of the first and second networks.

WO 2004/084012 A3

WO 2004/084012 A3



— *with amended claims*

Date of publication of the amended claims: 14 July 2005

(88) Date of publication of the international search report:
12 May 2005

For two-letter codes and other abbreviations, refer to the "Guidance Notes on Codes and Abbreviations" appearing at the beginning of each regular issue of the PCT Gazette.

**VIRTUAL NETWORK SOLUTION FOR SMS MESSAGE EXCHANGE
BETWEEN GSM AND ANSI (TIA/EIA 41) NETWORKS**

[0001] This application claims the benefit of U.S. Provisional Application No. 60/453,961, filed March 13, 2003, which is herein incorporated by reference in its entirety.

BACKGROUND

Field of the Invention

[0002] The present invention relates generally to telecommunications systems. More particularly, the present invention is related to systems and methods for exchanging messages between disparate networks operating in accordance with different standards.

Background of the Invention

[0003] The exchange of short message service (SMS) messages between distinct ITU GSM carriers has been supported by GSM standards almost since their inception. Specifically, GSM standards allow GSM PLMNs (Public Land Mobile Networks) to exchange (SMS) messages by way of roaming agreements. The technology permits one network element in a GSM PLMN to talk to other network elements in another GSM PLMN for the purpose of exchanging SMS messages. These messages are exchanged over what is called an SS7 or C7 network, which interconnects many mobile (and non-mobile) network elements.

[0004] In North American and many other countries, however, there are many mobile networks that implement ANSI mobile telephony standards such as TDMA and CDMA. Although core network elements belonging to these networks are interconnected by an SS7 network, it is not easily possible to interconnect TDMA-, CDMA- and GSM-based carriers via a common SS7 network, due to standards-specific reasons.

[0005] SMS messaging, a core component of the GSM standard, is also supported by TDMA and CDMA networks natively. However, due to inter-network connectivity issues and, in many instances, the of lack of roaming agreements between many of these networks, it is not presently possible to easily exchange messages between ITU GSM networks interconnected via a C7 (ITU SS7) network and ANSI TDMA and CDMA networks connected to ANSI SS7 networks.

[0006] Thus, there is a need to provide improved cross-network and cross-standards connectivity.

BRIEF SUMMARY OF THE INVENTION

[0007] The present invention provides improved connectivity by providing an Intermediary network solution whereby an Intermediary functions as a Virtual Carrier simulating many, if not all, of the necessary network element interfaces in each of the networks (GSM, TDMA, CDMA) to provide a sufficient framework for exchanging SMS messages among carriers operating in accordance with different standards. More specifically, a Virtual Network provider in accordance with the present invention functions as a Virtual GSM carrier on a C7 network and a Virtual ANSI network carrier (TDMA or CDMA) on an ANSI SS7 network, effectively bridging the networks to enable the sending and receiving of SMS messages. In one embodiment, the Intermediary functions as a Virtual carrier in one network and functions as a Relaying Intermediary for other networks for the purpose of exchanging SMS messages.

[0008] These and other features of the present invention, and their attendant advantages, will be more fully appreciated upon reading the following detailed description in conjunction with the accompanying drawings.

BRIEF DESCRIPTION OF THE DRAWINGS

[0009] Fig. 1 shows a GSM Network element model for SMS messages in accordance with the prior art.

[0010] Fig. 2 shows inter-PLMN connectivity for GSM SMS message Delivery between two GSM networks in accordance with the prior art.

[0011] Fig. 3 shows a model to receive SMS messages from a GSM network by an Intermediary for further transmission to ANSI carriers in accordance with the present invention.

[0012] Fig. 4 shows a store and forward call flow control for an ITU GSM carrier to an ANSI carrier in accordance with the present invention.

[0013] Figs. 5 and 6 show alternative call flow control for an ITU GSM carrier to an ANSI carrier in accordance with the present invention.

[0014] Fig. 7 shows a network model for terminating messages into a ITU GSM Carrier network from an Intermediary network represented by SME in accordance with the present invention.

[0015] Fig. 8 shows call flow control for delivering a message to a GSM network in accordance with the present invention.

[0016] Fig. 9 shows a realization of a virtual network within an Intermediary network in accordance with the present invention.

DETAILED DESCRIPTION OF THE INVENTION

[0017] The following acronyms are used in the following description and the associated drawings:

AuC	Authentication Center
BSC	Base Station Controller
BSS	Base Station System
BTS	Base Transceiver Station
CdPA	Called Party Address
CgPA	Calling Party Address
DPC	Destination Point Code used for MTP addressing
EIR	Equipment Identity Register
GMSC	Gateway MSC
GTT	Global Title Translation
HLR	Home Location Register
IMSI	International Mobile Subscriber Identity
IWMSC	Interworking Mobile Switching Center
IXLR	Intermediary Location Register (virtual HLR)
IXRS	Intermediary Receiving Station (virtual MSC)
IX-SC	Intermediary Service Center
IXTS	Intermediary Transmitting Station (GMSC)
MO	Message Origination -- Originating in a

	GSM carrier and terminating into Intermediary network for delivery to any US carrier (GSM, TDMA, CDMA)
MS	Mobile Station
MSC	Mobile Switching Center
MT	Message Termination – Message terminating into a non-US carrier.
OPC	Originating Point Code
SME	Short Message Entity
SMSC	Short Message Service Center
SPC	Signaling Point Code
SSN	Sub-system Number used for identifying an application
STP	Signal Transfer Point
VGW-MSC	Virtual Gateway MSC
VLR	Visitor Location Register

[0018] Fig. 1 shows a GSM Network element model for SMS messages. In accordance with well-known standards, all mobile originated messages from a network are routed to a “home” SMSC (Short Message Service Center) 100 through an Inter-working MSC network element 110. SMSC 100 then forwards the message to its destination, whether it is an application or another subscriber unit. Generally speaking, all Mobile Terminated messages are delivered through an MSC to a mobile station through a Gateway MSC unit 120. As per the GSM model, an SMSC is not necessarily a network element directly connected to an SS7 network, although in practice an SMSC is typically built with a GMSC component and, in fact, often is directly connected to an SS7 network. The other elements shown in Fig. 1 are well-known to those skilled in the art.

[0019] An Inter-PLMN GSM message exchange architecture is shown in Fig. 2. In this Figure, Network A can post SMS messages within its own network by querying its own HLR. The HLR then returns the appropriate MSC number and the SMSC through SMS-GMSC network element sends

the SMS message to the appropriate MSC that is currently servicing the intended recipient the mobile subscriber.

[0020] For Inter-PLMN messages, the SMSC of Network A, for example, would access the HLR of Network B and obtain the MSC number (typically of Network B, if the mobile subscriber of Network B is not roaming) for posting messages directly to Network B's MSC. Such an interchange is supported to the extent that both Network A and Network B implement GSM signaling standards, particularly GSM MAP layer for SMS message.

[0021] Fig. 3 shows a model to receive SMS messages from a GSM network by an Intermediary for further transmission to ANSI carriers, in accordance with the present invention. In this embodiment, the Intermediary (elements of which are identified by IXLR, IXRS and IX-SC) behaves like a GSM carrier for the purpose of receiving SMS message. When a subscriber originates a message in a GSM network, the SMS message is received, as usual, by the home SMSC. That home SMSC then initiates a Send Routing Information (SRI) query over the SS7 (or C7) network. If the intended recipient is serviced by an ANSI carrier, this SRI call usually fails because of incompatibility of GSM and ANSI SS7 networks. Under some circumstances, roaming messages may be exchanged between ANSI GSM and ITU GSM carriers, and substantially all other messages, including SMS messages, between ANSI TDMA/CDMA and ITU GSM carriers are blocked.

[0022] According to one embodiment, the present invention provides a routing table, called a Global Title Translation (GTT), which points all Send Routing Information messages destined for ANSI TDMA and CDMA networks towards a virtual carrier network employing a virtual HLR function (the IXLR in this case). The Virtual HLR is integrated with a set of databases and other routing information tables that identify all valid ANSI destinations to which the Intermediary is capable of sending SMS messages.

[0023] Upon receipt of an SRI from an ITU GSM carrier, the Virtual Carrier Network's HLR (IXLR) responds with a SRI response with an ACK or appropriate error message depending upon whether the message is

deliverable or not. Once the originating SMSC receives the SRI response back, the short message is sent to the Virtual Carrier's network (IXRS) using Forward Short Message (FSM). In a preferred embodiment, the GTT routing table resolves the FSM routing in such a way that the Intermediary receives the message at its Virtual Gateway MSC (IXSC). The IXSC may then forward the message to the destination carrier either through an IP protocol such as SMPP or through an SS7 link. A detailed call flow for sending an SMS message from an ITU GSM carrier to ANSI carrier is shown in Fig. 4. Explanations of several of the messaging commands and exchanges are provided below.

MAP_SEND_ROUTING_INFO_FOR_MT_SM:

Direction: SMSC → IXLR

CgPA: e.164SMSC.

CdPA: e.164MSISDN

SSN: HLR

[0024] All MO messages are routed from the home SMSC. For messages destined for a US TDMA/CDMA carrier, the GSM SMSC performs a MAP SRI call on the Virtual HLR provided by the present invention, namely the IXLR. In one embodiment, the Virtual HLR preferably has an e.164HLR address which is the telephone number of a mobile phone (TDMA or CDMA) owned by virtual network provider. All MAP messages destined to a TDMA or CDMA carrier in the US are preferably sent to the virtual network provider's gateway by an entity such as Teleglobe. Those skilled in the art will appreciate that these message flow scenarios are exemplary only and are not meant to limit the scope of the present invention.

[0025] When a GSM SMSC sends a MAP SRI INFO message, the message is addressed to the subscriber's e.164 number (MSISDN). There may be one or more GTT actions performed in the home network's STP. This STP, after initial GTT activity, sends all +1 destined messages to Teleglobe's network (or ultimately to Teleglobe's network through an intermediary network). Teleglobe's STP then conducts a *final* GTT, that results in pointing such messages to DPC of the virtual network provider's

(intermediary's) IXLR gateway. The SPC of IXLR is a "private" point code assigned by Teleglobe and the point code is known to the GTT database of Teleglobe's STP.

MAP_SEND_ROUTING_INFO_FOR_MT_SMS_ACK:

Direction: IXLR → SMSC

CgPA: e.164IXLR

CdPA: e.164SMSC

SSN: MAP

[0026] In accordance with the present invention, the IXLR sends back a MAP SRI ACK message with its own e.164 routing number. The CdPA is the e.164 address of SMSC from where the MAP SRI originated.

[0027] The IXLR sends the message to Teleglobe's STP. Teleglobe STP performs a GTT on the e.164 number of the SMSC. If Teleglobe's STP does not have the DPC of the SMSC, Teleglobe preferably forwards the message to an SPC of another STP. Final GTT translation by an STP forwards the message to the appropriate SMSC.

[0028] The ACK message contains an MSRN number that is the same as an encoded MSISDN number in e.164 format. This number is populated in the IMSI field. The IMSI field preferably contains a pseudo IMSI number used for several purposes including notification of the end carrier to the sending SMSC. More details regarding this and related features can be found in co-pending U.S. application no. 10/724,106, entitled "Virtual Carrier Addressing and Routing Techniques for Global SMS," which is incorporated herein by reference.

MAP_FORWARD_SHORT_MESSAGE

Direction: IXRS ← SMSC

CgPA: e.164SMSC

CdPA: e.164MSRN (e.164MSISDN)

SSN: MSC

[0029] The MSRN number (MSISDN number) returned by the MAP SRI ACK message is extracted and used by the SMSC to forward the short message. The called party address used is the MSRN number, the GTT of

which should ultimately result in addressing the IXRS. Teleglobe's STP sends, during the final GTT stage, this message to the DPC of the IXRS.

MAP_FORWARD_SHORT_MESSAGE_ACK

Direction: IXRS → SMSC

CgPA: e.164IXRS

CdPA: e.164SMSC

SSN: MAP

[0030] This message is transmitted from the IXRS (which acts as a virtual MSC for a home SMSC). The message is addressed to the e.164 address of SMSC and the GTT ensures that the message is received by the SMSC sending the SMS message.

SUBMIT SM

Direction: IXSC → Terminating SMSC

[0031] This message, part of a SMPP protocol suite, is used to send a message from the Intermediary SMSC to an ANSI carrier's SMSC for terminating the short message. The terminating carrier's SMSC, in turn, forwards the short message to the subscriber terminal.

[0032] It is noted that for an Intermediary SMSC, a number of protocols can be used to forward the short message to the terminating carrier's SMSC. These include SMPP, UCP, SMTP and a number of other IP based protocols. In addition, it is also possible to directly terminate the short message to the subscriber terminal using an SS7 link, in which case, the terminating carrier's SMSC is not involved in the call flow.

SUBMIT SM RESP

Direction Terminating SMSC → IXSC

[0033] This message is the response message received from the terminating carrier's SMSC acknowledging or rejecting a short message submitted using SUBMIT SM message.

[0034] Alternative call flows for ITU GSM carrier to ANSI carrier messaging are shown in Figs. 5 and 6. The mechanism depicted in Figure 5 has the advantage of ensuring reliable delivery of an SMS message between a home and a destination carrier's SMSC. More specifically, Fig. 5 shows an alternate embodiment of the invention, wherein, Intermediary SMSC (IXSC) forwards the message to an ANSI destination carrier's SMSC and waits for acknowledgement before returning a Forward Short Message (FSM) acknowledgement to the originating GSM carrier's SMSC. This alternate mechanism has the advantage of ensuring reliable delivery of SMS message between home and destination carrier's SMSC.

[0035] Fig. 6 shows yet another alternate embodiment of invention, wherein the Intermediary SMSC (IXSC) forwards the message to an ANSI destination carrier's SMSC and waits for delivery receipt before returning a Forward Short Message acknowledgement to the originating GSM carrier's SMSC. This alternate mechanism has the advantage of ensuring reliable delivery of SMS message between a home SMSC and a destination mobile subscriber unit. However, the timeouts in this message sequence may be of concern in a practical implementation of this embodiment although this sequence can be made to work if the delivery receipt is received within the time out period of the original Forward Short Message from the home SMSC to the Intermediary network.

[0036] Fig. 7 shows a network model, in accordance with the present invention, for terminating messages into an ITU GSM Carrier network from an Intermediary network represented by an SME (Short Message Entity) in the Figure. An SMS message from an ANSI carrier is received by the SME by one of several means that include SMSC to SME delivery via SMPP or other equivalent protocols, or via SS7 delivery. The received message is then transmitted to the SMSC node (IX-SC) in the Intermediary network.

[0037] For the purpose of delivering the message to a GSM network, the Intermediary network implements a Virtual Gateway MSC (VGW-MSC) that is connected on one side to Intermediary SMSC (IX-SC) and on the other side to a C7 network. Upon receipt of an SMS message from an ANSI carrier's home network, the Virtual GW-MSC node performs GTT

route lookup on the destination GSM carrier's HLR and forwards the short message to the appropriate switch (MSC) based on the address information received back from destination carrier's HLR. In doing these transactions, the Intermediary behaves exactly like a GSM carrier and performs all the functions required as part of roaming guidelines prescribed by GSM Associations IR 21 document. Call flows depicting these transaction are shown in Figure 8. The role of the IXTS in this call flow emulates that of a GMSC as per GSM protocol standard.

MAP_SEND_ROUTING_INFO_FOR_SM:

Direction: IXTS → HLR

CgPA: e.164IXTS.

CdPA: e.164MSISDN

SSN: HLR

[0038] For an MO message originated in the US and directed to a GSM carrier, GTT is preferably performed on the destination MSISDN number at Teleglobe STP. The GTT translation will most probably result in a DPC of an intermediary STP that will again perform GTT. There may be more than one STP during routing that performs GTT translations. The final GTT translation (most probably by an STP in the destination network) results in the DPC of the HLR and message being delivered to the HLR. Again, those skilled in the art will appreciate that the message flows described herein are exemplary only and not meant to limit the scope of the present invention.

MAP_SEND_ROUTING_INFO_FOR_SM_ACK:

Direction: IXSC ← HLR

CgPA: e.164HLR

CdPA: e.164IXTS

SSN: MAP

[0039] The HLR sends back a MAP SRI ACK message with its own e.164 routing number (since this is inter-PLMN messaging, the HLR uses its own e.164 number to allow for GTT). The CdPA is the e.164 address of the IXSC that can be routed by Teleglobe. Before the message gets to

Teleglobe, a far end STP GTT translation may be performed, which should result in all +1 messages delivered to Teleglobe. Teleglobe will then route the message to the Intermediary using final GTT translation.

MAP_FORWARD_SHORT_MESSAGE

Direction: IXTS → MSC

CgPA: e.164IXTS

CdPA: e.164MSRN

SSN: MSC

[0040] The MSRN number returned by the MAP SRI ACK message is extracted and used by the IXTS to forward the short message. The called party address used is the MSRN number, the GTT of which should ultimately result in addressing the visited MSC.

MAP_FORWARD_SHORT_MESSAGE_ACK

Direction: IXTS ← MSC

CgPA: e.164MSC (or e.164MSRN?)

CdPA: e.164IXTS

SSN: MAP

[0041] This message is transmitted back from the visited MSC to the IXTS acting as virtual GMSC. The message is addressed to the e.164 address of the IXTS and the GTT path follows that of earlier reverse message flows reaching IXTS.

[0042] Fig. 9 depicts an Intermediary Network System in accordance with the present invention. The Virtual Network in accordance with the present invention preferably comprises four major components, an IXSC, IXRS, IXTS and IXL, the latter three components being integrated in an IXSG - intermediary SMS gateway.

[0043] The IXSC is the intermediary service center, which controls the SS7 gateway functionality for sending and receiving SMS messages. The IXSC is a logical node supporting simplified service center functionality. This functionality preferably includes:

- Accepting short messages from the intermediary acting as an SME.
- Storing and forwarding short messages to the SS7 gateway.
- Receiving short messages from the SS7 gateway.
- Dispatching short messages to the intermediary

[0044] The IXRS is the intermediary Receiving Station, which emulates functionality of an MSC. This is a logical node part of the IXSG. This node is responsible for receiving SMS messages and alerting the IXSC. The node also implements MSC functionality for the purpose of receiving SMS short messages. Specifically, the IXRS receives the message and terminates the GSM SMS message. The IXRS also communicates with the IXSC to send received SMS messages.

[0045] The IXTS is the intermediary Transmitting Station, which emulates GMSC functionality. This is a logical node part of the IXSG. This node is responsible for sending SMS messages upon request from the IXSC.

[0046] The IXLR is the intermediary Location Register, which functions as a virtual HLR that is used for supporting routing requests from far side entities. This node is logical part of IXSG gateway and implements limited HLR functionality to support routing information for MO SMS message delivery. When an MO message is sent from a subscriber unit (SU), the home SMSC receives the message. The Home SMSC then queries the IXLR to get routing information. The SMSC then sends the message to IXRS node. In case of redundant nodes, the IXLR is preferably configured to have a single point code so that SMSCs “see” a single entity from which to obtain routing information.

[0047] e.164 numbering of SS7 nodes: The intermediary, as described herein, is not necessarily a full fledged carrier (and in the preferred implementation, is not) and therefore does not “own” any phone numbers. For GTT routing purpose, the intermediary preferably uses its existing landline or mobile phone numbers. Typically, landline phone numbers are preferable to make sure that there is no clash with mobile messaging.

[0048] GSM International Mobile Subscriber Identity (IMSI) Number Mapping: Since ANSI phone numbers do not have IMSI numbers, an encoded MSISDN number in e.164 format or pseudo IMSI numbers are allocated out of a pool within the Intermediary network, in accordance with the present invention. An IMSI number thus coded is routable using GTT for facilitating message routing from an ITU GSM carrier to an intermediary simulating GSM interfaces using pseudo IMSI numbers. Reference can again be made to co-pending U.S. application no. 10/724,106, which is incorporated herein by reference.

[0049] The foregoing disclosure of the preferred embodiments of the present invention has been presented for purposes of illustration and description. It is not intended to be exhaustive or to limit the invention to the precise forms disclosed. Many variations and modifications of the embodiments described herein will be apparent to one of ordinary skill in the art in light of the above disclosure. The scope of the invention is to be defined only by the claims appended hereto, and by their equivalents.

[0050] Further, in describing representative embodiments of the present invention, the specification may have presented the method and/or process of the present invention as a particular sequence of steps. However, to the extent that the method or process does not rely on the particular order of steps set forth herein, the method or process should not be limited to the particular sequence of steps described. As one of ordinary skill in the art would appreciate, other sequences of steps may be possible. Therefore, the particular order of the steps set forth in the specification should not be construed as limitations on the claims. In addition, the claims directed to the method and/or process of the present invention should not be limited to the performance of their steps in the order written, and one skilled in the art can readily appreciate that the sequences may be varied and still remain within the spirit and scope of the present invention.

We Claim:

1. A method of exchanging a short message service (SMS) message between networks operating in accordance with different standards, comprising
establishing an intermediary system that operates between a first network operating in accordance with a first standard and a second network operating in accordance with a second standard;
receiving, at the intermediary, a routing information request for an SMS message from the first network;
sending, from the intermediary in response to the routing information request, an acknowledgement message to the first network;
receiving the SMS message at the intermediary;
generating, in the intermediary, an acknowledgement of receipt of the SMS message, and sending the acknowledgement of receipt to the first network; and
sending the SMS message from the intermediary to the second network,
wherein the intermediary is an entity distinct from the first and second networks, and
wherein the step of sending the acknowledgement of receipt to the first network is performed without first receiving any acknowledgement from the second network.
2. The method of claim 1, wherein the first network operates in accordance with GSM standards.
3. The method of claim 1, wherein the second network operates in accordance with ANSI standards.
4. The method of claim 1, wherein the intermediary system emulates a mobile switching center operating in accordance with GSM standards.
5. The method of claim 1, wherein the routing information request is a MAP Send Routing Information for MT SMS message in accordance with GSM standards.

6. The method of claim 1, further comprising performing a GTT look up to determine to which switch the SMS message should be sent.

7. The method of claim 6, wherein when the SMS message is directed to a mobile station (MS) operating in the second network, the SMS message is routed to the intermediary system.

8. The method of claim 1, wherein the intermediary operates, from the perspective of the first network, as a Mobile Switching Center (MSC), in accordance with the same standards as the standards of the first network.

9. The method of claim 1, wherein the intermediary operates, from the perspective of the second network, as a Mobile Switching Center (MSC), in accordance with the same standards as the standards of the second network.

10. A system for exchanging a short message service (SMS) message between networks operating in accordance with different standards, comprising:

an intermediary system that operates between a first network operating in accordance with a first standard and a second network operating in accordance with a second standard;

means for receiving, at the intermediary, a routing information request for an SMS message from the first network;

means for sending, from the intermediary in response to the routing information request, an acknowledgement message to the first network;

means for receiving the SMS message at the intermediary;

means for generating, in the intermediary, an acknowledgement of receipt of the SMS message, and for sending the acknowledgement of receipt to the first network; and

means for sending the SMS message from the intermediary to the second network, wherein the intermediary is an entity distinct from the first and second networks, and wherein the means for sending the acknowledgement of receipt to the first network is sends the acknowledgement of receipt to the first network without first receiving any acknowledgement from the second network.

11. The system of claim 10, wherein the first network operates in accordance with GSM standards.

12. The system of claim 10, wherein the second network operates in accordance with ANSI standards.

13. The system of claim 10, wherein the intermediary system emulates a mobile switching center operating in accordance with GSM standards.

14. The system of claim 10, wherein the routing information request is a MAP Send Routing Information for MT SMS message in accordance with GSM standards.

15. The system of claim 10, further comprising means for performing a GTT look up to determine to which switch the SMS message should be sent.

16. The system of claim 15, wherein when the SMS message is directed to a mobile station (MS) operating in the second network, the SMS message is routed to the intermediary system.

17. The system of claim 10, wherein the intermediary operates, from the perspective of the first network, as a Mobile Switching Center (MSC), in accordance with the same standards as the standards of the first network.

18. The system of claim 10, wherein the intermediary operates, from the perspective of the second network, as a Mobile Switching Center (MSC), in accordance with the same standards as the standards of the second network.

19. A system for exchanging a short message service (SMS) message between networks operating in accordance with different standards, comprising:

an intermediary network system connected simultaneously to a first network operating in accordance with a first standard and a second network operating in accordance with a second

standard, the intermediary comprising an intermediary gateway providing an SS7 interface on one side thereof and an IP interface on another side thereof, the intermediary gateway being in communication with a home location register (HLR), mobile switching center/visitor location register (MSC/VLR) and short message service center (SMSC) of the second network;

the intermediary gateway comprising an intermediary Location Register, an intermediary Transmitting Station, and an intermediary Receiving Station, each of which substantially emulate, respectively, HLR functionality, GSM SMSC functionality and MSC functionality,

wherein the intermediary Transmitting Station is configured to send appropriately timed acknowledgement messages to the first network including sending an acknowledgement of receipt to the first network without first receiving any acknowledgement from the second network.

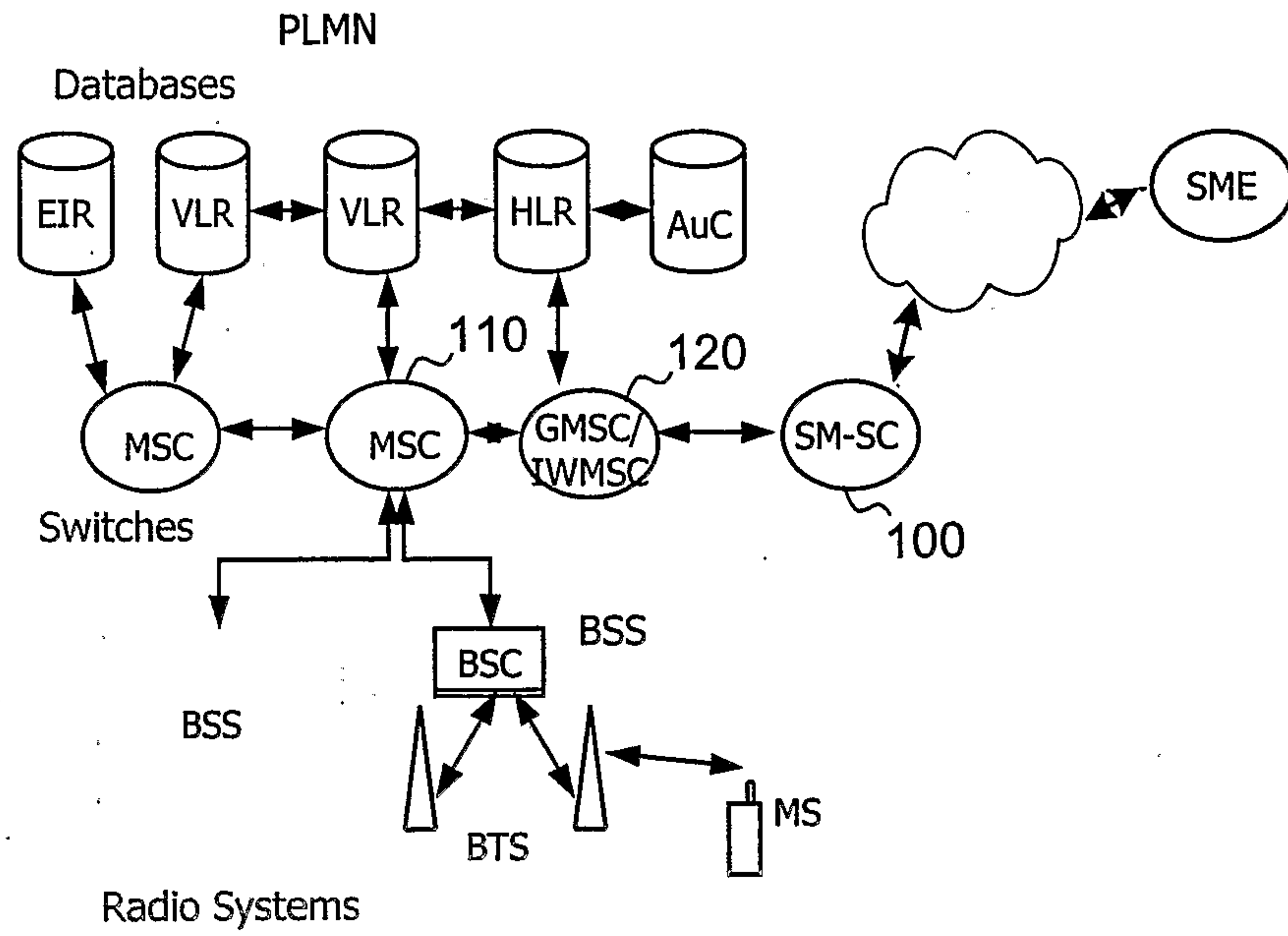


FIG. 1

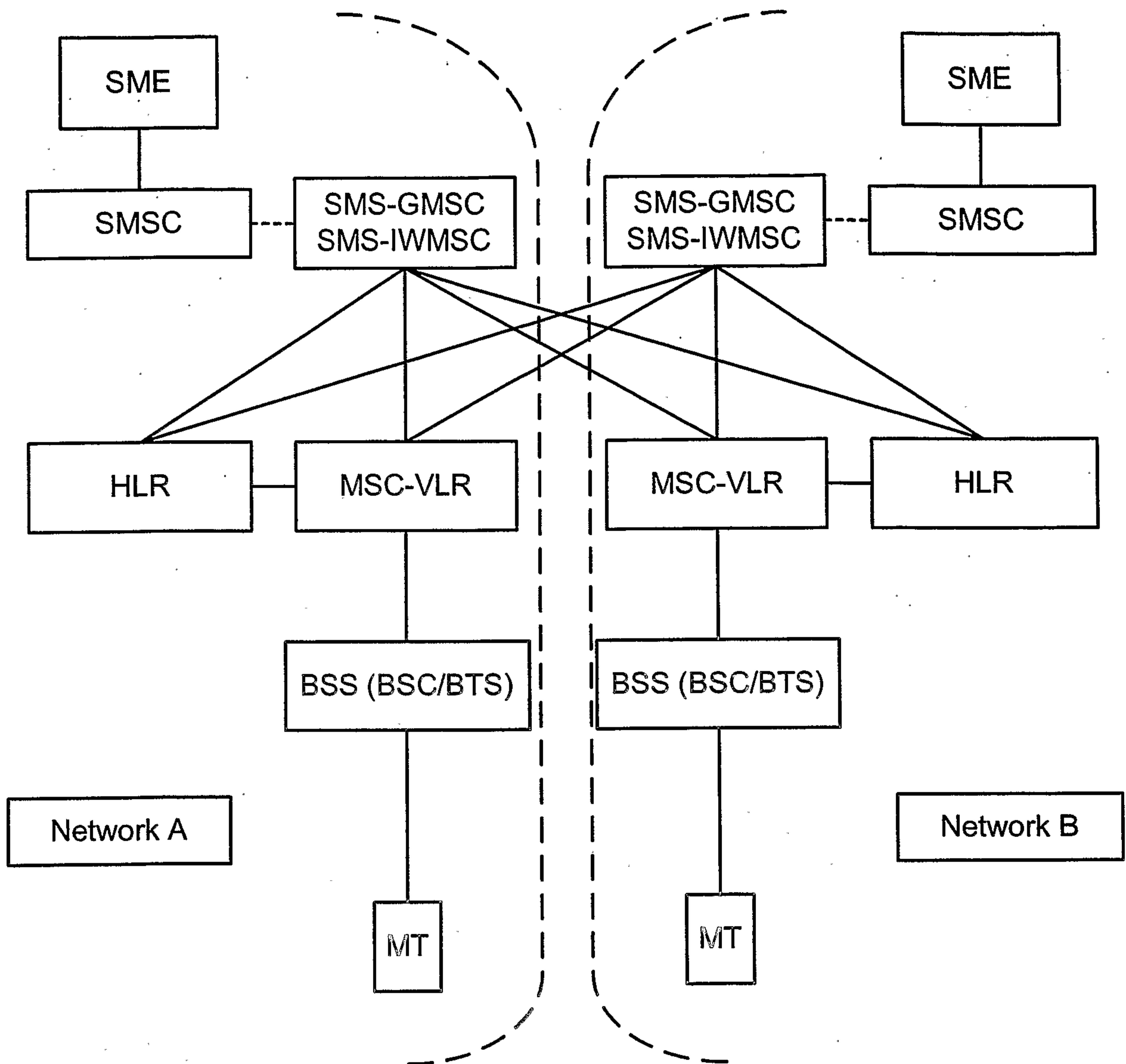


FIG. 2

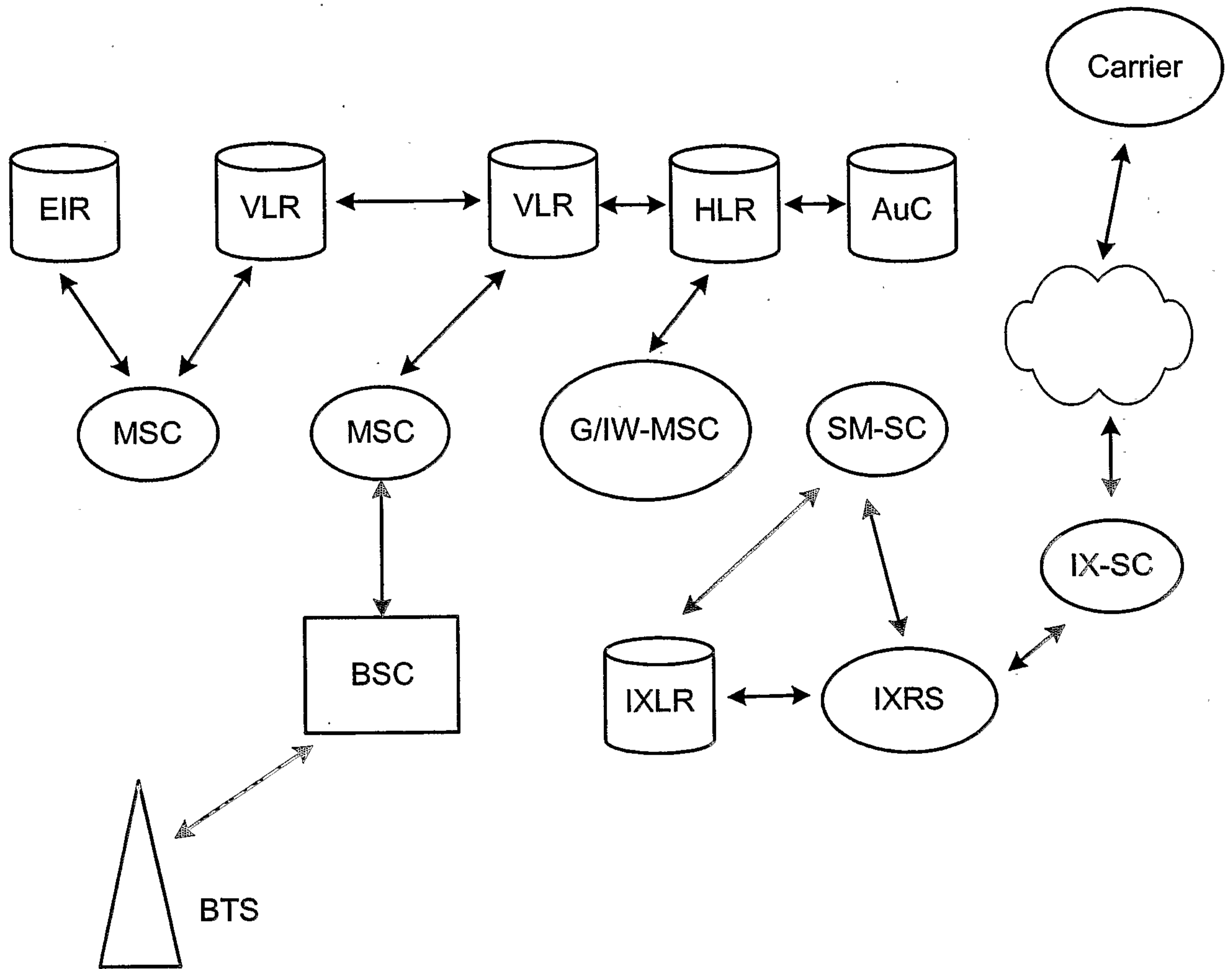


FIG. 3

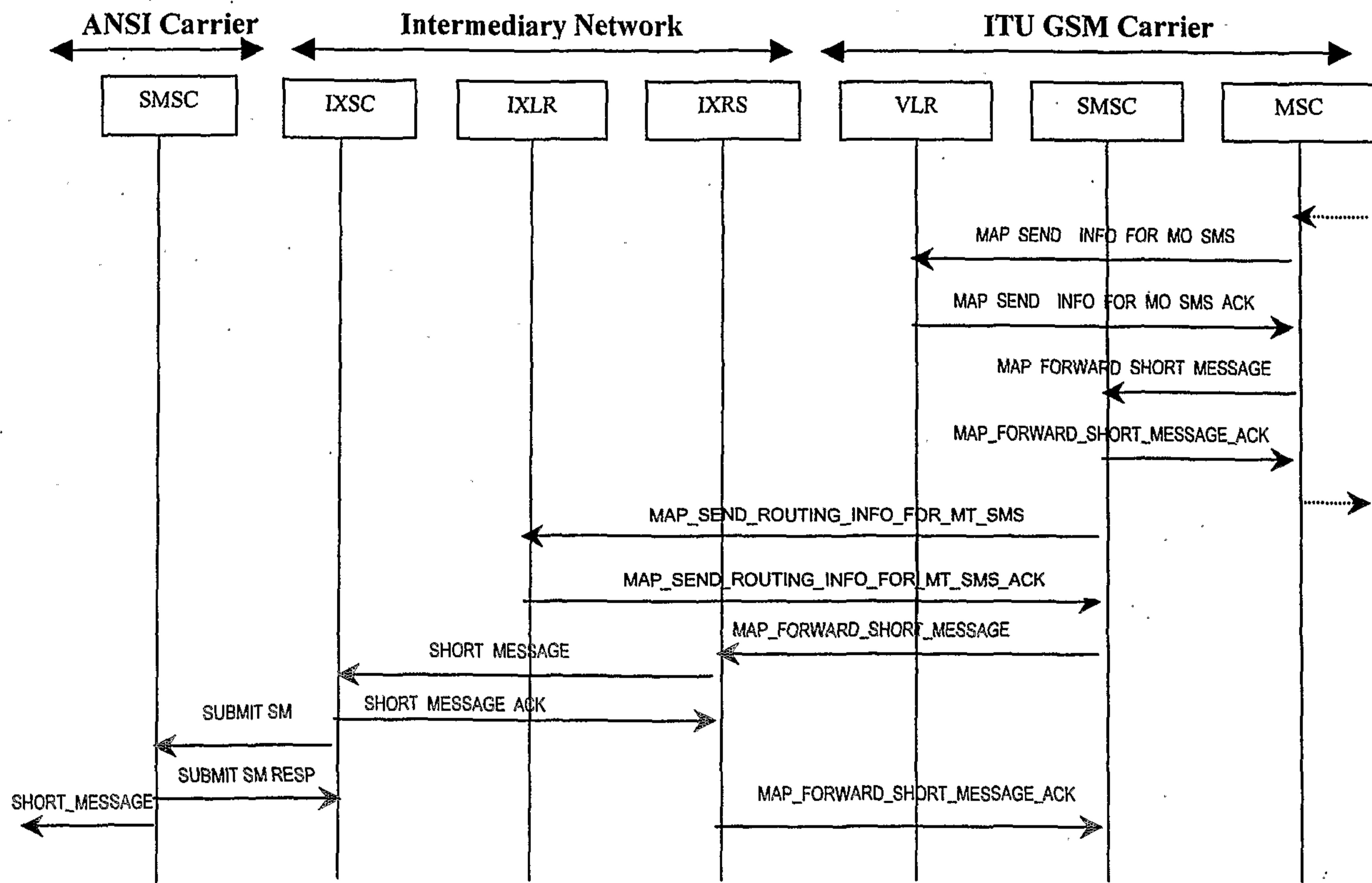


FIG. 4

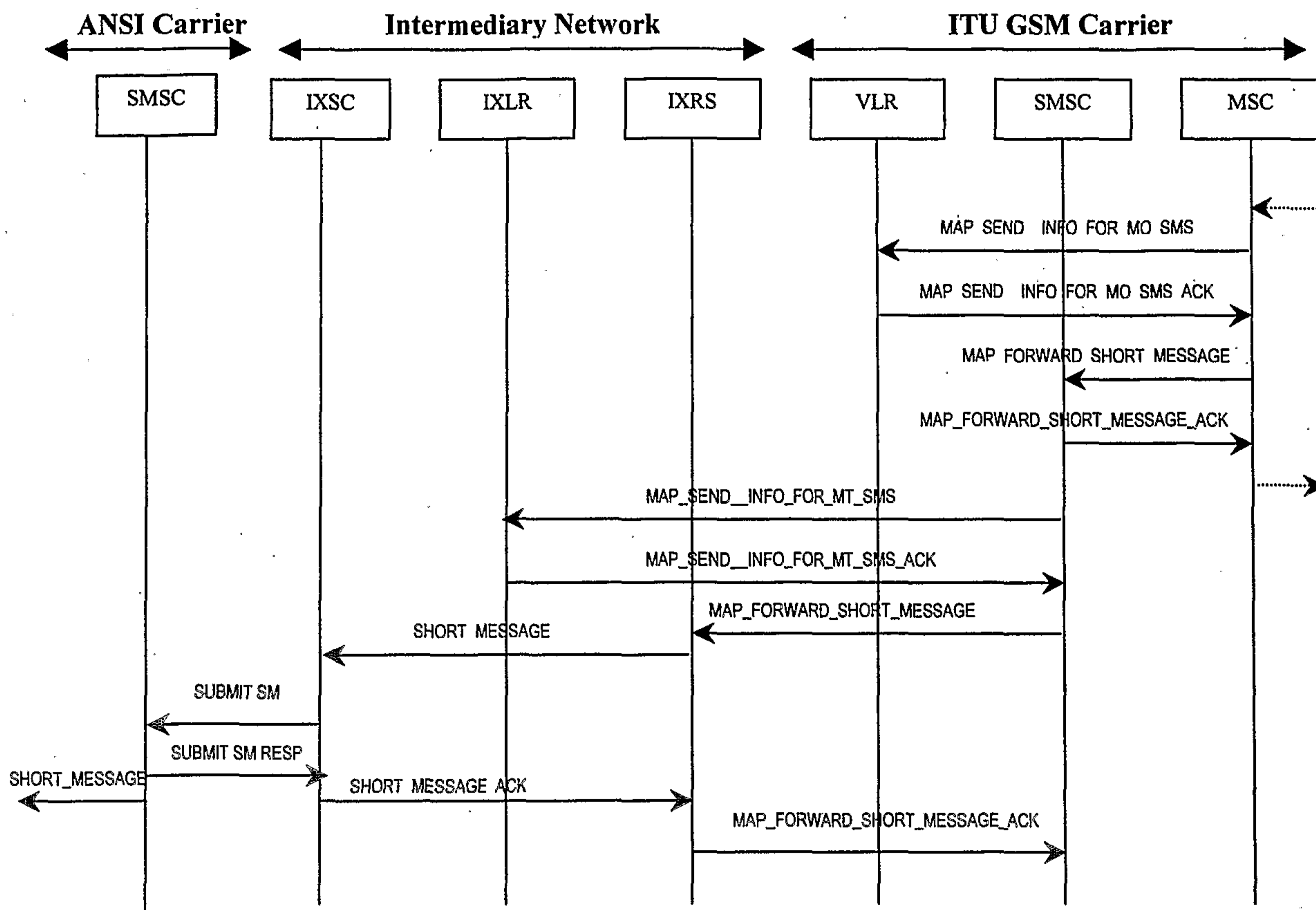


FIG. 5

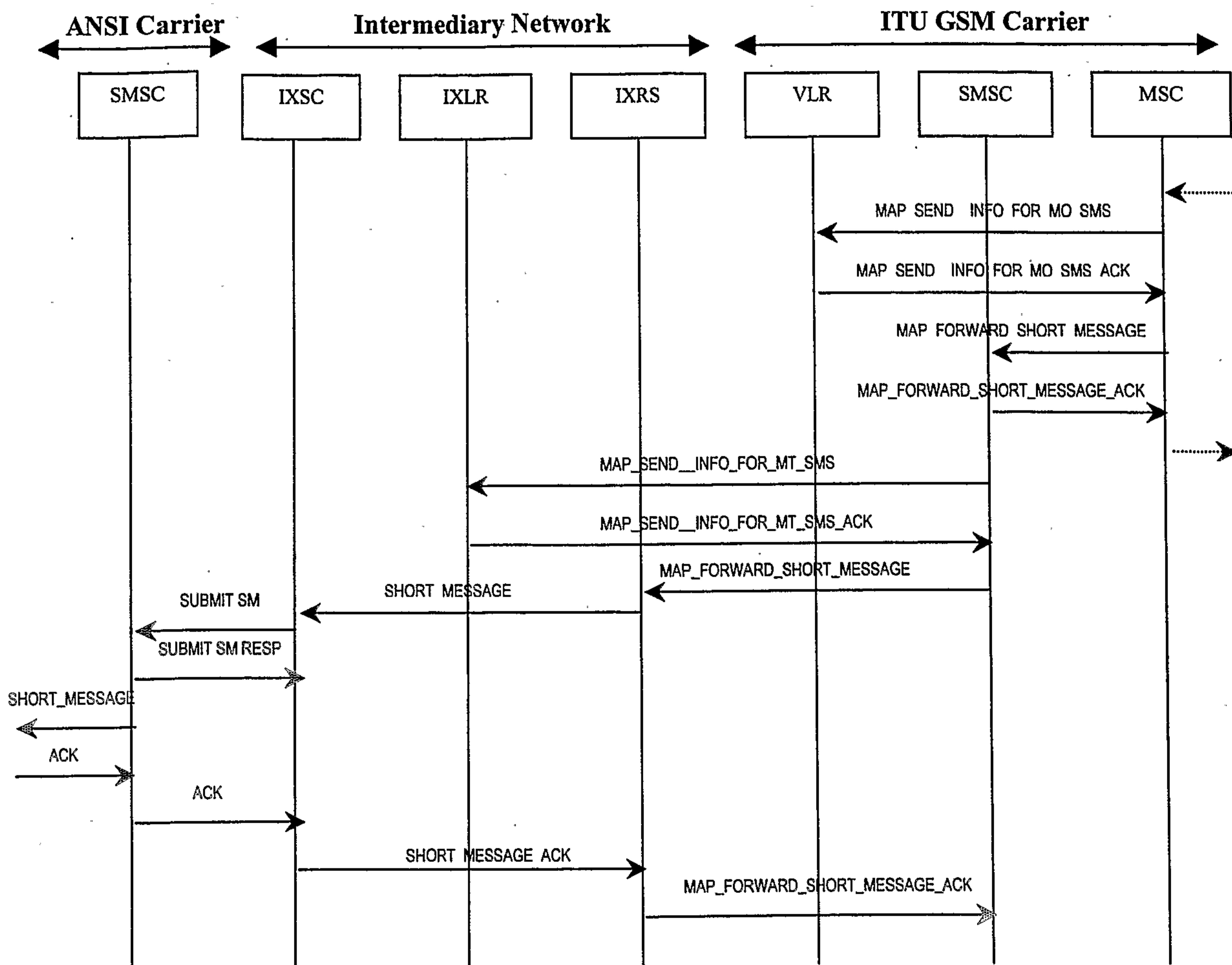


FIG. 6

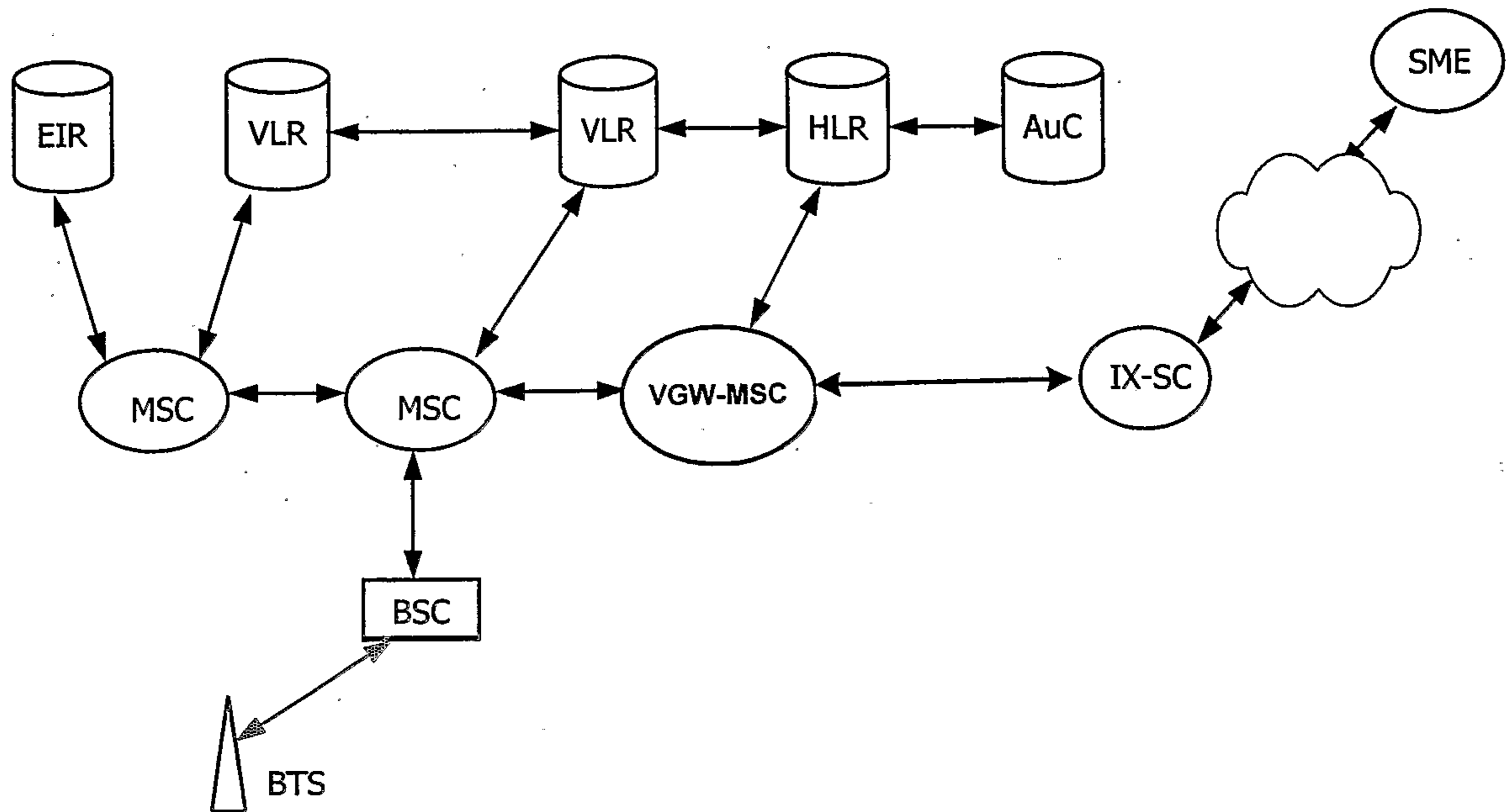


FIG. 7

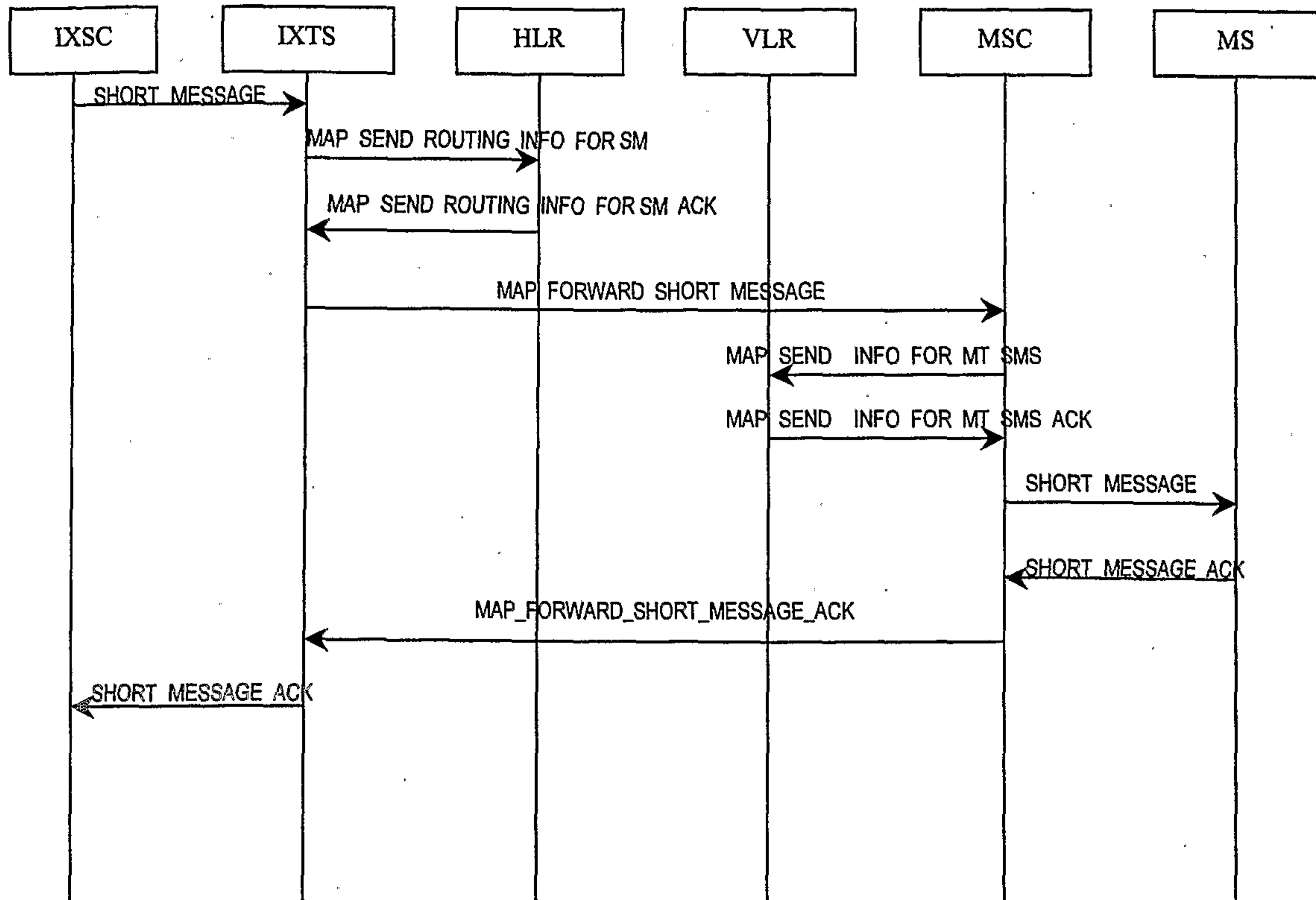


FIG. 8

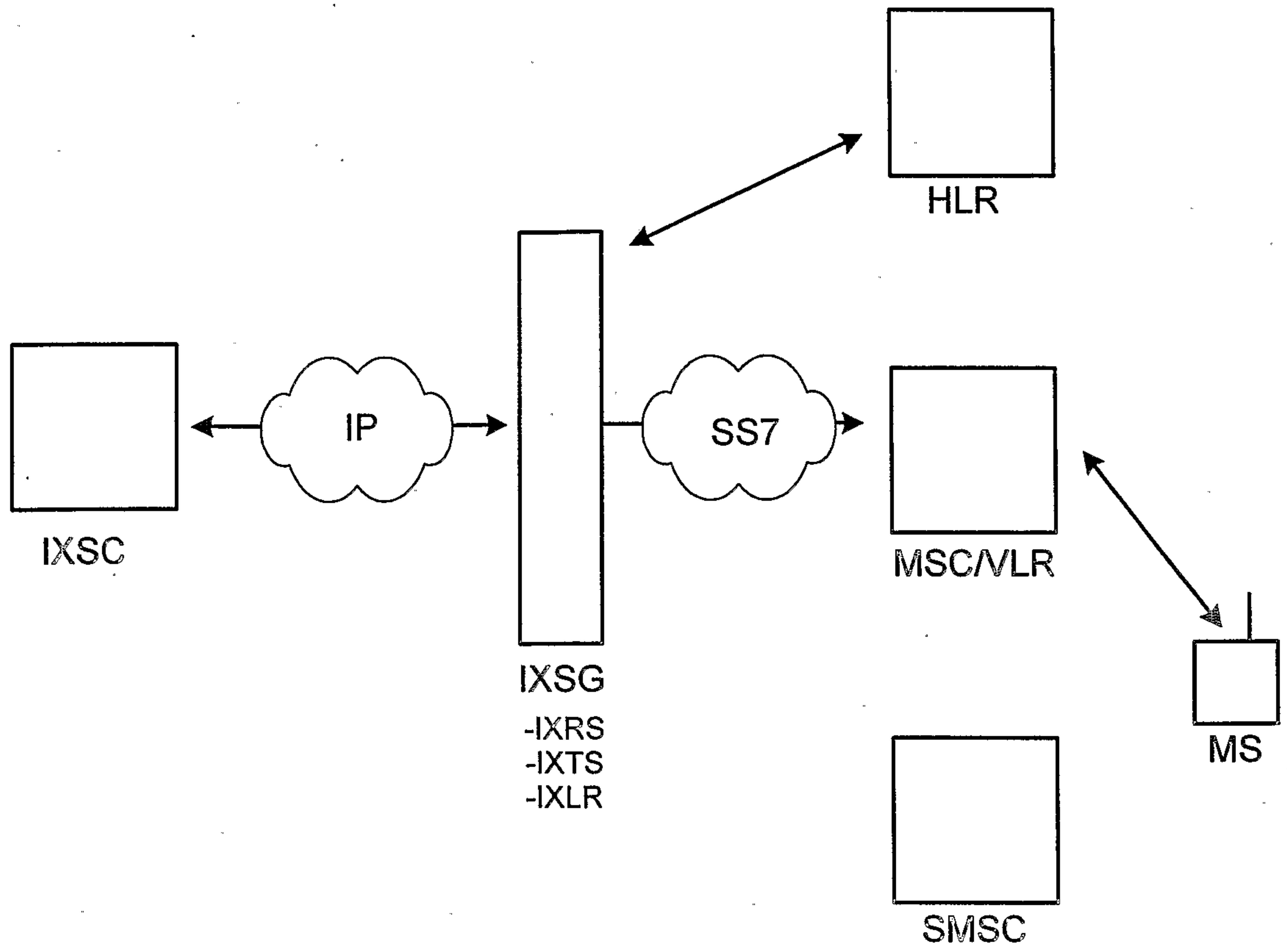


FIG. 9

