



US00D707124S

(12) **United States Design Patent**  
**Blain et al.**

(10) **Patent No.:** **US D707,124 S**

(45) **Date of Patent:** **\*\* Jun. 17, 2014**

(54) **BOTTLE CAP**

4,390,432 A 6/1983 Takeguchi et al.  
4,416,854 A 11/1983 Nielsen  
4,559,478 A 12/1985 Fuller et al.

(75) Inventors: **Christopher C. Blain**, Sausalito, CA  
(US); **Derek Gavin Sullivan**, Oakland,  
CA (US)

(Continued)

FOREIGN PATENT DOCUMENTS

(73) Assignee: **CamelBak Products, LLC**, Petaluma,  
CA (US)

AU 199859637 B2 1/2001  
CA 2279860 7/2007

(\*\*) Term: **14 Years**

(Continued)

(21) Appl. No.: **29/417,283**

OTHER PUBLICATIONS

(22) Filed: **Apr. 2, 2012**

All Clear Bottle by CamelBak dated Jul. 27, 2012. found online [Jan. 24, 2014] [http://shop.camelbak.com/all-clear-bottle/d/1208\\_cl\\_1533#pr-header-back-to-top-link](http://shop.camelbak.com/all-clear-bottle/d/1208_cl_1533#pr-header-back-to-top-link).\*

(51) **LOC (10) Cl.** ..... **09-07**

(52) **U.S. Cl.** ..... **D9/443**  
USPC ..... **D9/443**

(Continued)

(58) **Field of Classification Search**  
USPC ..... D7/629, 622; D9/435, 436, 443, 447,  
D9/516, 523, 527-531; 215/200, 235, 236,  
215/252, 254, 329, 355-364; 229/906.1  
See application file for complete search history.

*Primary Examiner* — Robert M Spear  
*Assistant Examiner* — Marissa Cash  
(74) *Attorney, Agent, or Firm* — DASCENZO Intellectual  
Property Law, P.C.

(56) **References Cited**

(57) **CLAIM**  
We claim the ornamental design for a bottle cap, as shown and  
described.

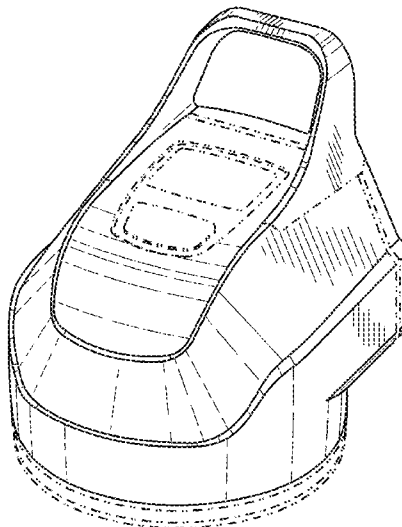
U.S. PATENT DOCUMENTS

DESCRIPTION

|             |         |                    |
|-------------|---------|--------------------|
| 1,190,609 A | 7/1916  | Von Recklinghausen |
| 1,898,365 A | 2/1933  | Harding            |
| 1,965,947 A | 7/1934  | Prouty             |
| 2,470,806 A | 5/1949  | Del Cueto          |
| 2,669,661 A | 2/1954  | Riddiford et al.   |
| 3,500,041 A | 3/1970  | Kassing            |
| 3,843,521 A | 10/1974 | Zeff               |
| 3,906,236 A | 9/1975  | Callahan           |
| 3,970,856 A | 7/1976  | Mahaffey et al.    |
| 4,066,551 A | 1/1978  | Stern              |
| 4,101,777 A | 7/1978  | Reid               |
| 4,184,076 A | 1/1980  | Kosnoff            |
| 4,274,970 A | 6/1981  | Beitzel            |
| 4,276,256 A | 6/1981  | Karamian           |
| 4,296,328 A | 10/1981 | Regan              |

FIG. 1 is a top isometric view of a bottle cap showing the new design.  
FIG. 2 is a front view of the new design.  
FIG. 3 is a rear view of the new design.  
FIG. 4 is a left side view of the new design, with the right side view being a mirror image thereof.  
FIG. 5 is a top view of the new design; and,  
FIG. 6 is a bottom view of the new design.  
In the drawings, the broken lines depict environmental subject matter only and form no part of the claimed design.

**1 Claim, 3 Drawing Sheets**



(56)

References Cited

U.S. PATENT DOCUMENTS

4,752,401 A 6/1988 Bodenstein  
 4,755,292 A 7/1988 Merriam  
 4,762,613 A 8/1988 Snowball  
 4,790,946 A 12/1988 Jansen  
 4,849,100 A 7/1989 Papandrea  
 4,857,204 A 8/1989 Joklik  
 4,902,411 A 2/1990 Lin  
 4,912,375 A 3/1990 Deglon et al.  
 4,971,687 A 11/1990 Anderson  
 4,981,651 A 1/1991 Horng  
 4,992,169 A 2/1991 Izumiya  
 5,106,495 A 4/1992 Hughes  
 5,173,269 A 12/1992 Mon et al.  
 5,208,461 A 5/1993 Tipton  
 5,266,215 A 11/1993 Engelhard  
 5,393,419 A 2/1995 Tiede et al.  
 5,484,538 A 1/1996 Woodward  
 5,597,482 A 1/1997 Melyon  
 5,628,895 A 5/1997 Zucholl  
 5,845,504 A 12/1998 LeBleu  
 5,900,212 A 5/1999 Maiden et al.  
 5,919,422 A 7/1999 Yamanaka et al.  
 6,042,720 A 3/2000 Reber et al.  
 6,110,424 A 8/2000 Maiden et al.  
 6,144,175 A 11/2000 Parra  
 6,264,836 B1 7/2001 Lantis  
 6,436,299 B1 8/2002 Baarman et al.  
 6,514,405 B1 2/2003 Lifschitz  
 6,579,495 B1 6/2003 Maiden  
 6,589,490 B1 7/2003 Parra  
 6,764,888 B2 7/2004 Khan et al.  
 6,767,453 B2 7/2004 Lifschitz  
 6,861,652 B2 3/2005 Wismeth  
 6,943,377 B2 9/2005 Gaska et al.  
 7,002,161 B2 2/2006 Greene  
 7,081,225 B1 7/2006 Hollander  
 7,306,716 B2 12/2007 Baarman  
 7,390,417 B2 6/2008 Kuhlmann et al.  
 D586,184 S \* 2/2009 Miller et al. .... D7/511  
 D592,913 S \* 5/2009 Pinelli et al. .... D7/608  
 7,533,783 B2 5/2009 Choi et al.  
 7,550,089 B2 6/2009 Kuhlmann et al.  
 7,641,790 B2 1/2010 Maiden  
 D613,110 S \* 4/2010 Lane et al. .... D7/392.1  
 7,713,483 B2 5/2010 Maiden  
 7,741,806 B2 6/2010 Kuhlmann et al.  
 D621,257 S \* 8/2010 Gullickson et al. .... D9/443  
 D626,837 S \* 11/2010 Meyers et al. .... D9/443  
 D634,161 S \* 3/2011 Roth et al. .... D7/510  
 D635,457 S \* 4/2011 Lane .... D9/503  
 D652,256 S \* 1/2012 Eyal .... D7/510  
 D657,618 S \* 4/2012 Wahl .... D7/392.1  
 D663,209 S \* 7/2012 Maas et al. .... D7/510  
 D669,310 S \* 10/2012 Barreto et al. .... D7/510  
 D674,242 S \* 1/2013 Eyal .... D7/510  
 D696,551 S \* 12/2013 Meyers et al. .... D7/392.1  
 2005/0118054 A1 6/2005 Lentz et al.  
 2005/0189290 A1 9/2005 Maiden  
 2006/0011526 A1 1/2006 Baarman et al.  
 2008/0237233 A1 10/2008 Choi et al.  
 2009/0205972 A1 8/2009 Kuhlmann et al.  
 2010/0044582 A1 2/2010 Cooper et al.  
 2011/0174993 A1 7/2011 Blain

FOREIGN PATENT DOCUMENTS

CN 1113040 C 7/2003  
 DE 42 28 860 A1 3/1994  
 DE 199 11 443 A1 9/2000  
 DE 698 34 105 T2 1/2007  
 EP 0 966 401 12/1999  
 ES 2262222 11/2006  
 GB 2301272 A 11/1996  
 JP 02-003892 1/1990

JP 02-006892 1/1990  
 JP 08-033887 2/1996  
 JP 08-066678 3/1996  
 JP 08-117742 5/1996  
 JP 11-155932 6/1999  
 JP 2001-347265 12/2001  
 TR 1999 01784 T2 10/1999  
 WO WO 97/38272 10/1997  
 WO WO 98/32700 7/1998  
 WO WO 00/09449 2/2000  
 WO WO 02/12127 2/2002  
 WO WO 2004/028290 4/2004  
 WO WO 2005/090241 9/2005

OTHER PUBLICATIONS

EyeDrop Water Filter by CamelBak dated Jul. 22, 2010. found online [Jan. 24, 2014] [http://www.backpackinglight.com/cgi-bin/backpackinglight/orsm09\\_camelback\\_UV.html](http://www.backpackinglight.com/cgi-bin/backpackinglight/orsm09_camelback_UV.html).\*

All Clear UV Water Bottle by CamelBak dated Feb. 14, 2012. found online [Jan. 24, 2014] <http://www.geekalerts.com/camelbak-all-clear-uv-water-bottle>.\*

English-language abstract of Japanese Patent Publication No. 02-003892, downloaded on or about Nov. 18, 2010 from [www.freepatentsonline.com](http://www.freepatentsonline.com).

English-language abstract of Japanese Patent Publication No. 02-006892, Japan Patent Office, Aug. 11, 2008.

English-language abstract of German Patent No. 42 28 860 A1, downloaded on or about Nov. 18, 2010 from [www.espacenet.com](http://www.espacenet.com).

English-language abstract of Japanese Patent Publication No. 08-033887, Japan Patent Office, Aug. 2, 2005.

English machine translation of Japanese Patent Publication No. 08-033887, prepared by Dan Matthews, Aug. 2, 2005.

English-language abstract of Japanese Patent Publication No. 08-066678, Japan Patent Office, Jul. 1, 2008.

English machine translation of Japanese Patent Publication No. 08-066678, prepared by Dan Matthews, Aug. 2, 2005.

English-language abstract of Japanese Patent Publication No. 08-117742, Japan Patent Office, Jun. 23, 2005.

English machine translation of Japanese Patent Publication No. 08-117742, Japan Patent Office, Jun. 27, 2005.

English-language abstract of Japanese Patent Publication No. 11-155932, downloaded on or about Nov. 18, 2010 from [www.espace.net](http://www.espace.net).

English-language abstract of U.S. Patent No. 6,110,424, which corresponds to Turkish Patent Publication No. 1999 01784 T2, downloaded on or about Nov. 18, 2010 from [www.espace.net](http://www.espace.net).

English-language abstract of German Patent No. 19911443, U.S. Patent and Trademark Office, Nov. 16, 2007.

English machine translation of German Patent No. 19911443, European Patent Office, Dec. 18, 2007.

English-language abstract of Japanese Patent Publication No. 2001-347265, Japan Patent Office, Nov. 20, 2007.

English-language abstract of Japanese Patent Publication No. 2001-347265, U.S. Patent and Trademark Office, Nov. 16, 2007.

English machine translation of Japanese Patent Publication No. 2001-347265, Japan Patent Office, Nov. 17, 2007.

English-language abstract of U.S. Patent No. 6,110,424, which corresponds to Chinese Patent Publication No. 1113040C, downloaded on or about Nov. 18, 2010 from [www.espace.net](http://www.espace.net).

English-language abstract of U.S. Patent No. 6,110,424, which corresponds to Spanish Patent Publication No. 2262222, downloaded on or about Nov. 18, 2010 from [www.espace.net](http://www.espace.net).

English-language abstract of U.S. Patent No. 6,110,424, which corresponds to German Patent Publication No. 698 34 105 T2, downloaded on or about Nov. 18, 2010 from [www.espace.net](http://www.espace.net).

American Air & Water web page entitled "UV Water Purifiers," downloaded on or about Nov. 6, 2007 from [www.americanairandwater.com](http://www.americanairandwater.com).

Camping Survival web page entitled "Steripen Ultraviolet Water Purifier," downloaded on or about Nov. 6, 2007 from [www.campingsurvival.com](http://www.campingsurvival.com).

(56)

**References Cited**

## OTHER PUBLICATIONS

Environmental Doctor Company web page entitled "Ultra Violet (UV) Sterilization for Water;" downloaded on or about Nov. 6, 2007 from [www.envirodoc.com](http://www.envirodoc.com).

"Finally, Germicidal UV LEDs for the Rest of Us!" LED Development Blog, Nov. 29, 2007, downloaded on or about Jul. 10, 2008 from <http://leddev.wordpress.com/?s=UVC>.

Gaska, R., et al., "Solid-State Ultraviolet Light Sources," IEEE Sensors Council Newsletter No. 6, Jan. 2008, downloaded on or about Aug. 8, 2008 from [www.ewh.ieee.org/tc/sensors/Newsletters/Number6/Newsletter6.htm](http://www.ewh.ieee.org/tc/sensors/Newsletters/Number6/Newsletter6.htm).

"Light-emitting diode," downloaded on or about Oct. 30, 2007 from [www.wikipedia.com](http://www.wikipedia.com).

McDonald, Jo Ann, "Deep UV LEDs Reach Major Milestone in Water Purification," CompoundSemi News, Mar. 15, 2005, downloaded on or about Oct. 31, 2007 from [www.SolidStateLighting.net](http://www.SolidStateLighting.net). PlexiGlas Sunactive® XT Clear 24770 Product Description, Degussa AG, Apr. 2002.

Sensor Electronic Technology, Inc. list of 2005-2006 articles, downloaded on or about Oct. 31, 2007 from [www.s-et.com](http://www.s-et.com).

"SET seeks deep-UV LED market penetration," Jan. 7, 2005, downloaded on or about Oct. 31, 2007 from [www.compoundsemiconductor.net](http://www.compoundsemiconductor.net).

"SET wins contracts for AIN research," Compound Semiconductor, Mar. 2004, downloaded on or about Oct. 31, 2007 from [www.compoundsemiconductor.net](http://www.compoundsemiconductor.net).

"UV Rays Used to Purify Water," New Products & Services, The Nikkei Weekly, Feb. 7, 1994.

\* cited by examiner

Fig. 1

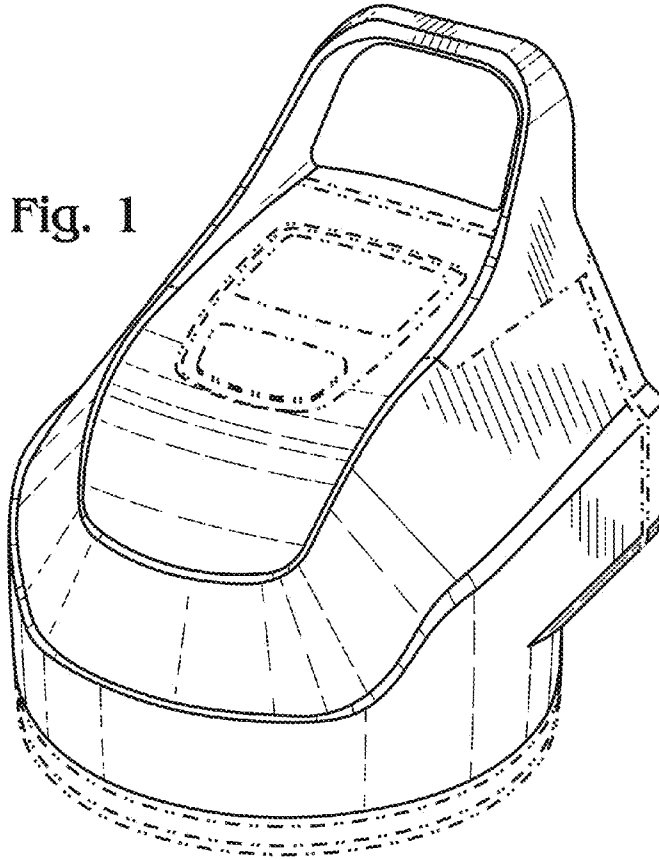


Fig. 2

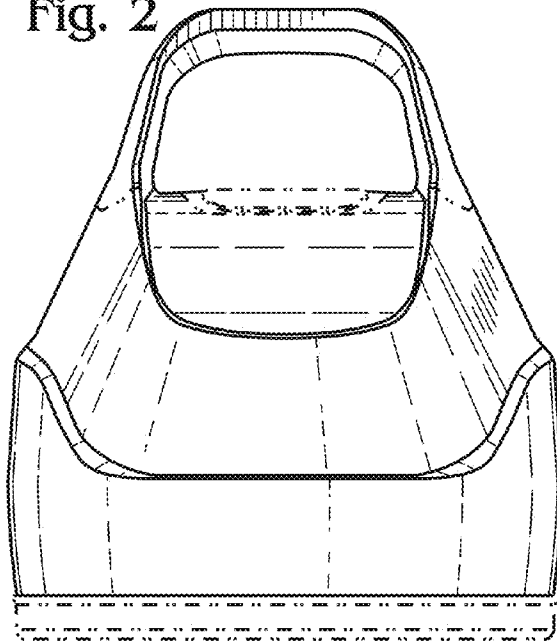


Fig. 3

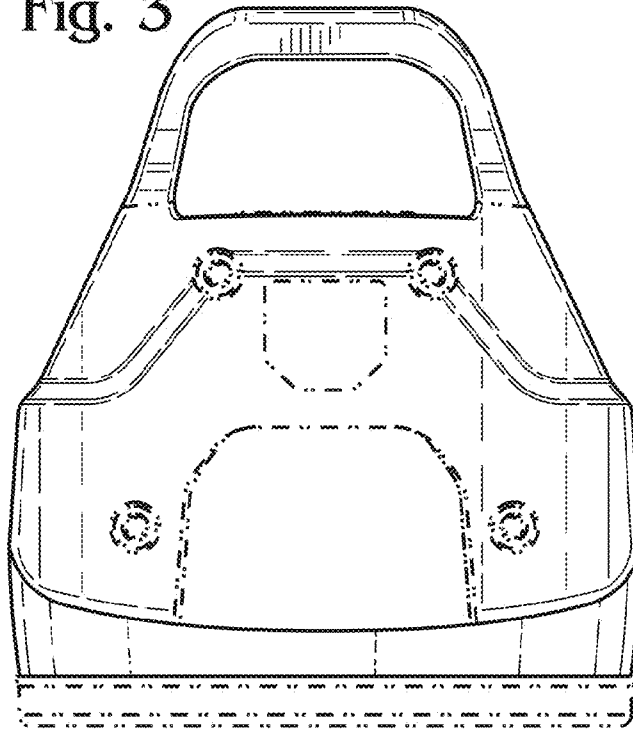


Fig. 4

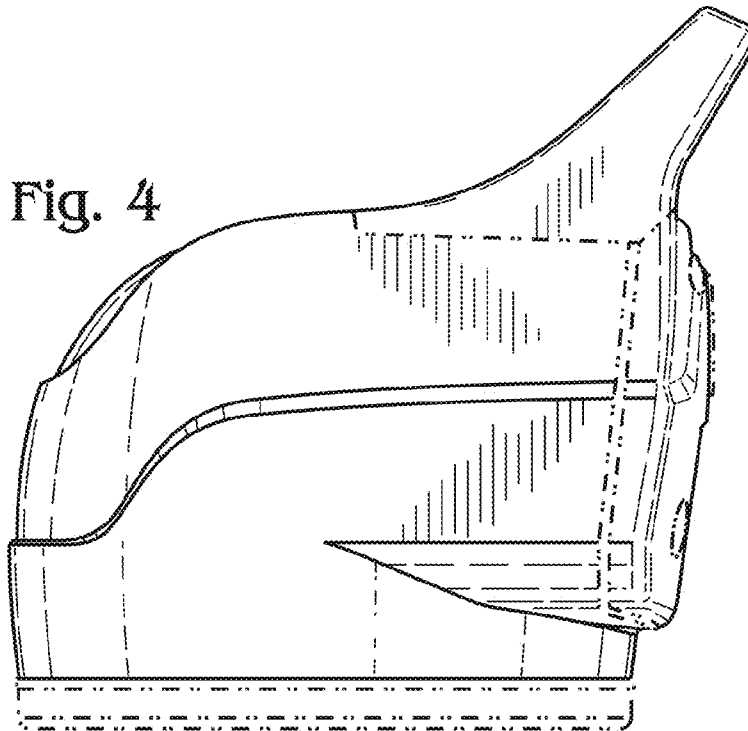


Fig. 5

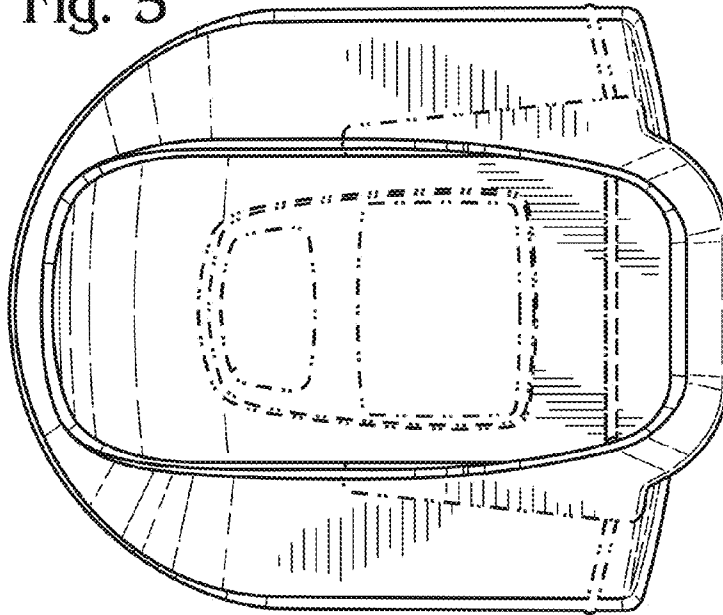


Fig. 6

