



- (51) International Patent Classification:
H02J 17/00 (2006.01)
- (21) International Application Number:
PCT/KR2012/000881
- (22) International Filing Date:
7 February 2012 (07.02.2012)
- (25) Filing Language: English
- (26) Publication Language: English
- (30) Priority Data:
10-2011-0010526 7 February 2011 (07.02.2011) KR
- (71) Applicant (for all designated States except US): **SAMSUNG ELECTRONICS CO., LTD.** [KR/KR]; 416, Maetan-dong, Yeongtong-gu, Suwon-si, Gyeonggi-do 443-742 (KR).
- (72) Inventors: **KIM, Nam Yun**; c/o Samsung Advanced Institute of Technology, Mt. 14-1, Nongseo-dong, Giheung-gu, Yongin-si, Gyeonggi-do 449-712 (KR). **KWON, Sang Wook**; c/o Samsung Advanced Institute of Technology, Mt. 14-1, Nongseo-dong, Giheung-gu, Yongin-si, Gyeonggi-do 449-712 (KR). **PARK, Yun Kwon**; c/o Samsung Advanced Institute of Technology, Mt. 14-1, Nong-

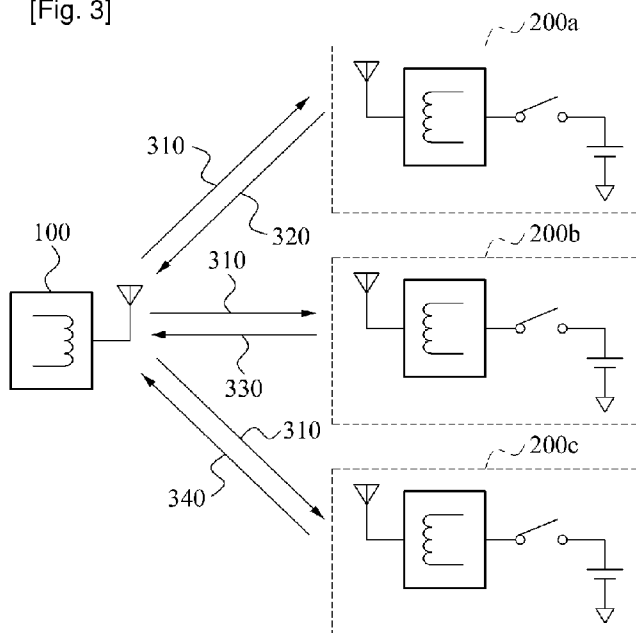
seo-dong, Giheung-gu, Yongin-si, Gyeonggi-do 449-712 (KR). **PARK, Eun Seok**; c/o Samsung Advanced Institute of Technology, Mt. 14-1, Nongseo-dong, Giheung-gu, Yongin-si, Gyeonggi-do 449-712 (KR). **HONG, Young Tack**; c/o Samsung Advanced Institute of Technology, Mt. 14-1, Nongseo-dong, Giheung-gu, Yongin-si, Gyeonggi-do 449-712 (KR). **KIM, Ki Young**; c/o Samsung Advanced Institute of Technology, Mt. 14-1, Nongseo-dong, Giheung-gu, Yongin-si, Gyeonggi-do 449-712 (KR). **RYU, Young Ho**; c/o Samsung Advanced Institute of Technology, Mt. 14-1, Nongseo-dong, Giheung-gu, Yongin-si, Gyeonggi-do 449-712 (KR). **KIM, Dong Zo**; c/o Samsung Advanced Institute of Technology, Mt. 14-1, Nongseo-dong, Giheung-gu, Yongin-si, Gyeonggi-do 449-712 (KR). **CHOL, Jin Sung**; c/o Samsung Advanced Institute of Technology, Mt. 14-1, Nongseo-dong, Giheung-gu, Yongin-si, Gyeonggi-do 449-712 (KR).

- (74) Agent: **MUHANN PATENT & LAW FIRM**; 2, 5, 6th Floor, Myeonglim Building, 51-8 Nonhyeon-dong, Gangnam-gu, Seoul 135-814 (KR).
- (81) Designated States (unless otherwise indicated, for every kind of national protection available): AE, AG, AL, AM, AO, AT, AU, AZ, BA, BB, BG, BH, BR, BW, BY, BZ, CA, CH, CL, CN, CO, CR, CU, CZ, DE, DK, DM, DO,

[Continued on next page]

(54) Title: METHOD AND APPARATUS FOR CONTROLLING WIRELESS POWER TRANSMISSION AND RECEPTION, AND WIRELESS POWER TRANSMISSION SYSTEM

[Fig. 3]



(57) Abstract: Provided are a transmission system and a wireless power transmission and reception controlling method. According to an embodiment, a wireless power receiver may include: a target communication unit configured to receive, from a wireless power transmitter, a wake-up request signal and synchronization information with respect to wireless power transmission, and to transmit a response signal with respect to the wake-up request signal to the wireless power transmitter; a load path switch configured to activate based on timing information included in the synchronization information; and a target resonator configured to receive wireless power from a source resonator of the wireless power transmitter, when the load path switch is activated.





DZ, EC, EE, EG, ES, FI, GB, GD, GE, GH, GM, GT, HN, HR, HU, ID, IL, IN, IS, JP, KE, KG, KM, KN, KP, KZ, LA, LC, LK, LR, LS, LT, LU, LY, MA, MD, ME, MG, MK, MN, MW, MX, MY, MZ, NA, NG, NI, NO, NZ, OM, PE, PG, PH, PL, PT, QA, RO, RS, RU, RW, SC, SD, SE, SG, SK, SL, SM, ST, SV, SY, TH, TJ, TM, TN, TR, TT, TZ, UA, UG, US, UZ, VC, VN, ZA, ZM, ZW.

RU, TJ, TM), European (AL, AT, BE, BG, CH, CY, CZ, DE, DK, EE, ES, FI, FR, GB, GR, HR, HU, IE, IS, IT, LT, LU, LV, MC, MK, MT, NL, NO, PL, PT, RO, RS, SE, SI, SK, SM, TR), OAPI (BF, BJ, CF, CG, CI, CM, GA, GN, GQ, GW, ML, MR, NE, SN, TD, TG).

Published:

— with international search report (Art. 21(3))

(84) Designated States (unless otherwise indicated, for every kind of regional protection available): ARIPO (BW, GH, GM, KE, LR, LS, MW, MZ, NA, RW, SD, SL, SZ, TZ, UG, ZM, ZW), Eurasian (AM, AZ, BY, KG, KZ, MD,

(88) Date of publication of the international search report:
13 December 2012

INTERNATIONAL SEARCH REPORT

International application No.
PCT/KR2012/000881**A. CLASSIFICATION OF SUBJECT MATTER****H02J 17/00(2006.01)i**

According to International Patent Classification (IPC) or to both national classification and IPC

B. FIELDS SEARCHED

Minimum documentation searched (classification system followed by classification symbols)

H02J 17/00; H04B 7/00; H04B 7/26; H04B 7/185; H02J 7/00

Documentation searched other than minimum documentation to the extent that such documents are included in the fields searched

Korean utility models and applications for utility models
Japanese utility models and applications for utility models

Electronic data base consulted during the international search (name of data base and, where practicable, search terms used)

eKOMPASS(KIPO internal) & Keywords: wireless power, timing, switch, synchronization

C. DOCUMENTS CONSIDERED TO BE RELEVANT

Category*	Citation of document, with indication, where appropriate, of the relevant passages	Relevant to claim No.
X Y A	US 2010-0007307 A1 (BAARMAN DAVID W. et al.) 14 January 2010 See the abstract; paragraphs [0048],[0055]; claims 1, 12-14; figures 1, 4.	7-8,10,22-24 1-4,12-14,16-18 ,20-21 5-6,9,11,15,19
Y A	KR 10-2010-0066339 A (SAMSUNG ELECTRONICS CO., LTD.) 17 June 2010 See the abstract; claim 1; figure 1.	1-4,12-14,16-18 ,20-21 5-11,15,19,22-24
A	US 6876866 B1 (FATIH ULUPINAR et al.) 05 April 2005 See the abstract; claim 1; figure 3.	1-24
A	US 2007-0058575 A1 (KWON CHANG-YEUL et al.) 15 March 2007 See the abstract; claim 1; figures 10, 12, 13.	1-24

 Further documents are listed in the continuation of Box C. See patent family annex.

* Special categories of cited documents:

"A" document defining the general state of the art which is not considered to be of particular relevance

"E" earlier application or patent but published on or after the international filing date

"L" document which may throw doubts on priority claim(s) or which is cited to establish the publication date of citation or other special reason (as specified)

"O" document referring to an oral disclosure, use, exhibition or other means

"P" document published prior to the international filing date but later than the priority date claimed

"T" later document published after the international filing date or priority date and not in conflict with the application but cited to understand the principle or theory underlying the invention

"X" document of particular relevance; the claimed invention cannot be considered novel or cannot be considered to involve an inventive step when the document is taken alone

"Y" document of particular relevance; the claimed invention cannot be considered to involve an inventive step when the document is combined with one or more other such documents, such combination being obvious to a person skilled in the art

"&" document member of the same patent family

Date of the actual completion of the international search

24 SEPTEMBER 2012 (24.09.2012)

Date of mailing of the international search report

25 SEPTEMBER 2012 (25.09.2012)

Name and mailing address of the ISA/KR

Korean Intellectual Property Office
189 Cheongsa-ro, Seo-gu, Daejeon Metropolitan
City, 302-701, Republic of Korea

Facsimile No. 82-42-472-7140

Authorized officer

WEE Jae Woo

Telephone No. 82-42-481-8540



INTERNATIONAL SEARCH REPORT

Information on patent family members

International application No.

PCT/KR2012/000881

Patent document cited in search report	Publication date	Patent family member(s)	Publication date
US 2010-0007307 A1	14.01.2010	AU 2009-268616 A1	14.01.2010
		AU 2009-268616 A2	12.05.2011
		CA 2729109 A1	14.01.2010
		CN 102089954 A	08.06.2011
		EP 2294673 A1	16.03.2011
		JP 2011-527885 A	04.11.2011
		KR 10-2011-0034664 A	05.04.2011
		TW 201018042 A	01.05.2010
		US 2011-273138 A1	10.11.2011
		WO 2010-006091 A1	14.01.2010
KR 10-2010-0066339 A	17.06.2010	CN 102246389 A	16.11.2011
		EP 2356733 A2	17.08.2011
		JP 2012-511298 A	17.05.2012
		US 2010-0142423 A1	10.06.2010
		US 2010-0142509 A1	10.06.2010
		US 8194583 B2	05.06.2012
		WO 2010-067964 A2	17.06.2010
		WO 2010-067964 A3	17.06.2010
US 6876866 B1	05.04.2005	AT 387041 T	15.03.2008
		AU 2001-73409 A1	30.01.2002
		AU 7340901 A	30.01.2002
		BR 0112401 A	09.05.2006
		CN 101034916 A	12.09.2007
		CN 101034916 C0	12.09.2007
		CN 1455990 A	12.11.2003
		CN 1455990 C0	30.05.2007
		DE 60132894 D1	03.04.2008
		DE 60132894 T2	12.02.2009
		EP 1302002 A2	16.04.2003
		EP 1302002 B1	20.02.2008
		EP 1848116 A2	24.10.2007
		EP 1848116 A3	07.11.2007
		HK 1061478 A1	26.10.2007
		JP 2004-504761 A	12.02.2004
		JP 2004-504761 T	12.02.2004
		KR 10-0788079 B1	21.12.2007
		TW 535378 A	01.06.2003
		TW 535378 B	01.06.2003
		WO 02-07340 A2	24.01.2002
		WO 02-07340 A3	23.05.2002
		US 2007-0058575 A1	15.03.2007
KR 10-2007-0025531 A	08.03.2007		
US 8116245 B2	14.02.2012		