



US00D859902S

(12) **United States Design Patent**
van de Goor

(10) **Patent No.:** **US D859,902 S**

(45) **Date of Patent:** **** Sep. 17, 2019**

(54) **BREWING DEVICE**

(71) Applicant: **STARBUCKS CORPORATION,**
Seattle, WA (US)

(72) Inventor: **Mike Willem Frank van de Goor,**
Harderwijk (NL)

(73) Assignee: **Starbucks Corporation,** Seattle, WA
(US)

(**) Term: **15 Years**

(21) Appl. No.: **29/611,383**

(22) Filed: **Jul. 20, 2017**

(51) **LOC (12) Cl.** **07-01**

(52) **U.S. Cl.**

USPC **D7/307; D7/308; D7/309; D7/310**

(58) **Field of Classification Search**

USPC **D7/300, 313, 305, 306, 308, 307, 309,**
D7/310; D10/41

CPC **A47J 31/007; A47J 31/06; A47J 31/462**
See application file for complete search history.

(56) **References Cited**

U.S. PATENT DOCUMENTS

5,245,914	A *	9/1993	Vitous	A47J 31/007 99/280
D489,932	S *	5/2004	Picozza	D7/306
7,565,860	B1 *	7/2009	Liu	A47J 31/10 99/291
D606,805	S *	12/2009	Neace	D7/399
D645,064	S *	9/2011	Basta	D15/78

D695,065	S *	12/2013	Seymour	D7/300
9,717,365	B2 *	8/2017	Geissler	A47J 31/3676
9,844,296	B2 *	12/2017	Stein	A47J 31/462
D823,050	S *	7/2018	Neace, Jr.	D7/399
D825,258	S *	8/2018	Majka	D7/397
10,080,458	B2 *	9/2018	Bond	A47J 31/06
2009/0285471	A1 *	11/2009	Wall	G06K 9/00986 382/137
2018/0242777	A1 *	8/2018	Kim	A47J 31/06

* cited by examiner

Primary Examiner — Marianne N Pandozzi

(74) *Attorney, Agent, or Firm* — Knobbe Martens Olson
& Bear LLP

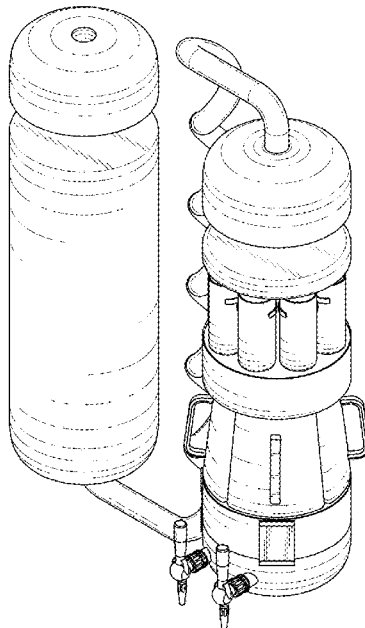
(57) **CLAIM**

The ornamental design for a brewing device, as shown and described.

DESCRIPTION

FIG. 1 is a top, front, and ride side perspective view of a brewing device showing my design;
 FIG. 2 is a back, top, and left side perspective view thereof;
 FIG. 3 is a back, top, and right side perspective view thereof;
 FIG. 4 is a top, front, and left side perspective view thereof;
 FIG. 5 is a front view thereof;
 FIG. 6 is a rear view thereof;
 FIG. 7 is a left side view thereof;
 FIG. 8 is a right side view thereof;
 FIG. 9 is a top view thereof; and,
 FIG. 10 is a bottom view thereof.

1 Claim, 9 Drawing Sheets



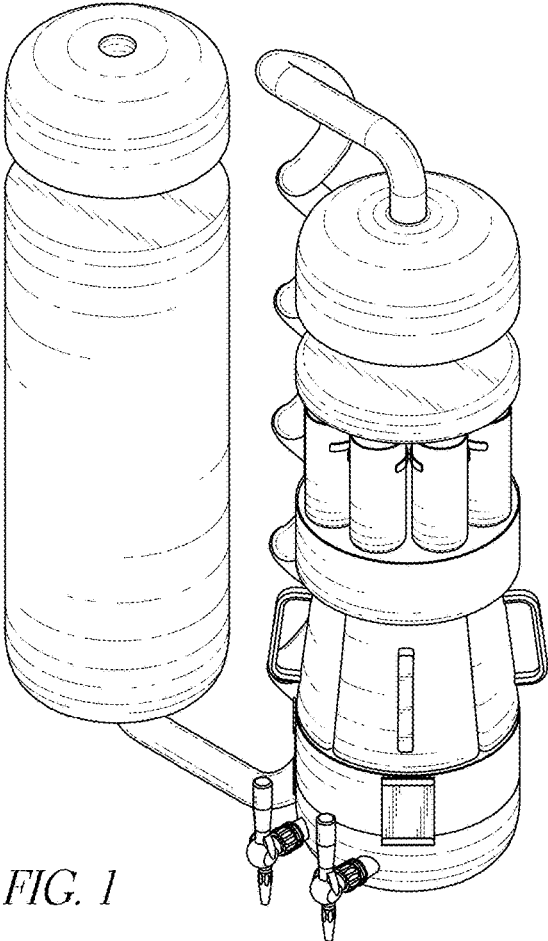


FIG. 1

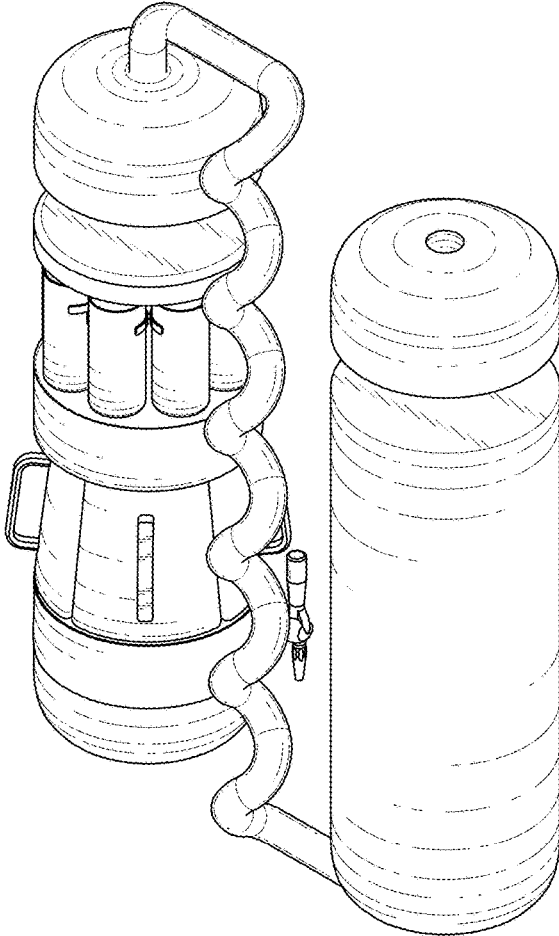


FIG. 2

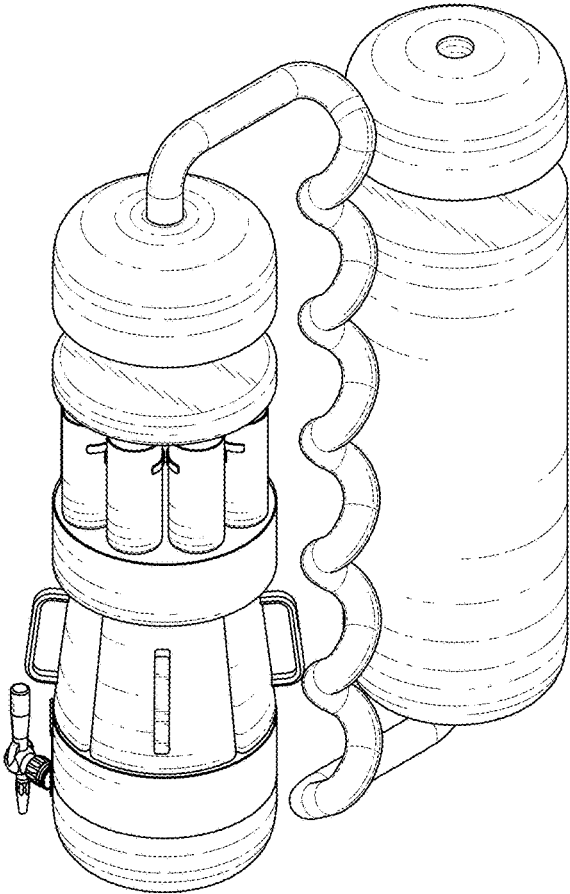


FIG. 3

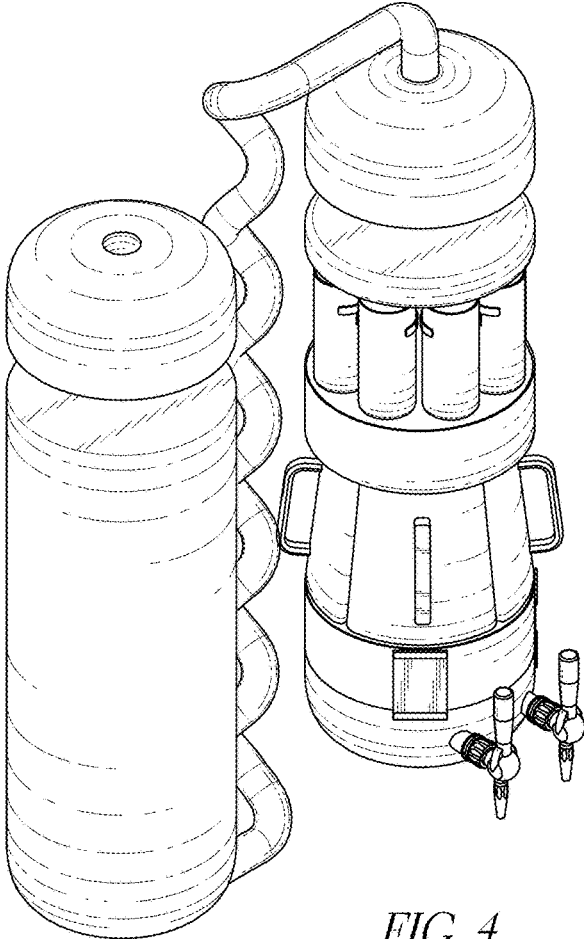


FIG. 4

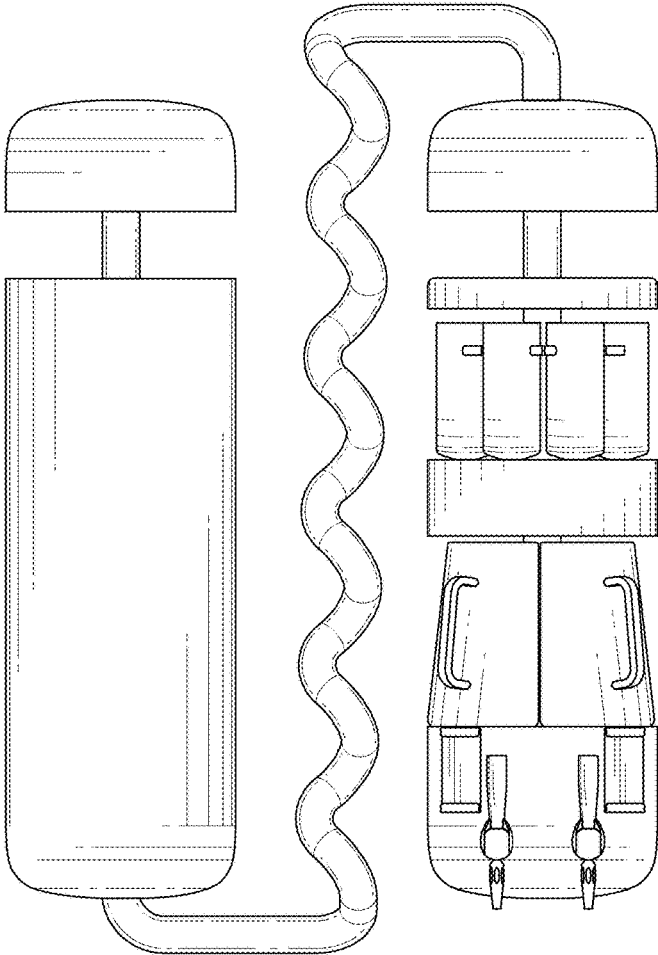


FIG. 5

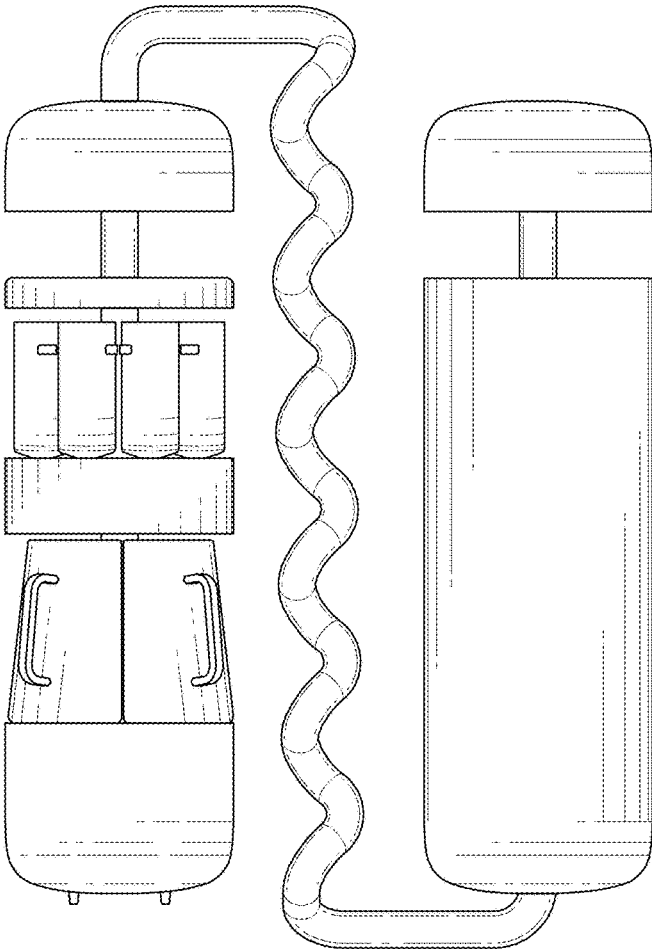


FIG. 6

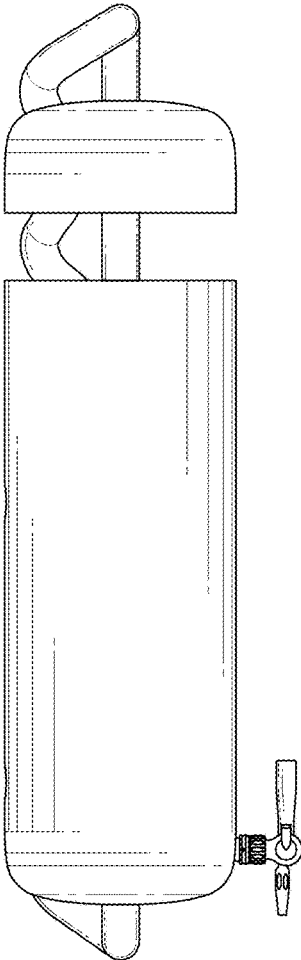


FIG. 7

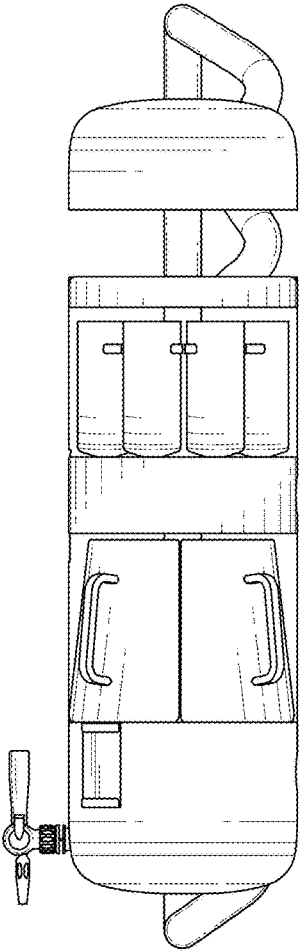


FIG. 8

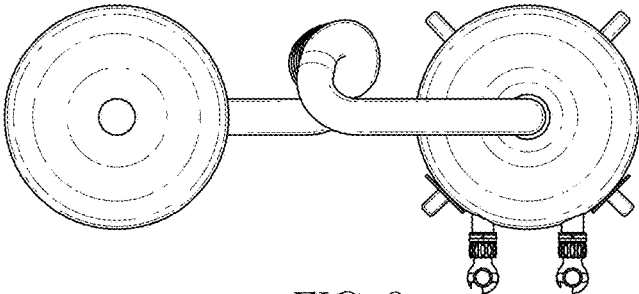


FIG. 9

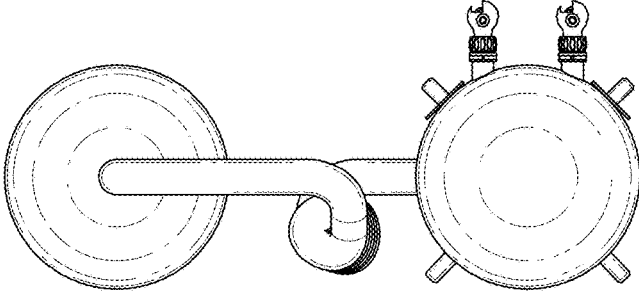


FIG. 10