



US00D715420S

(12) **United States Design Patent**
Funston

(10) **Patent No.:** **US D715,420 S**

(45) **Date of Patent:** **** Oct. 14, 2014**

- (54) **LIGHT-SOCKET CEILING FAN**
- (76) Inventor: **Lance Thomas Funston**, Penn Valley, PA (US)
- (**) Term: **14 Years**
- (21) Appl. No.: **29/402,119**
- (22) Filed: **Sep. 21, 2011**
- (51) **LOC (10) Cl.** **23-04**
- (52) **U.S. Cl.**
USPC **D23/385; D23/382; D26/59**
- (58) **Field of Classification Search**
CPC F04D 25/088; F04D 25/08; F04D 29/00; F04D 29/04; F04D 29/60; F04D 29/64; F04D 29/646; F21V 7/20; F21V 33/0096; F21V 33/0088; H02K 5/00; H02K 7/14
USPC D23/355, 370, 377, 379, 382, 385, 386, D23/411-413, 381; D26/59; 219/201, 219, 219/220; 362/92; 417/360; 439/180, 530; 416/5, 63, 93 R, 100, 170 R, 210 R, 242, 416/243, 246; 310/91
See application file for complete search history.

5,522,704 A *	6/1996	Casteel	416/246
D478,981 S *	8/2003	Frampton	D23/411
D483,108 S *	12/2003	Frampton	D23/411
6,799,982 B2 *	10/2004	Kerr, Jr.	439/180
D562,961 S *	2/2008	Pickett	D23/377
D630,312 S *	1/2011	Spaulding	D23/377
7,862,371 B1 *	1/2011	Johnson	439/530
7,874,798 B2 *	1/2011	Frampton et al.	416/5
7,997,869 B2 *	8/2011	Frampton et al.	416/100
2004/0175281 A1 *	9/2004	Remington	417/360

* cited by examiner

Primary Examiner — Martie K Holtje
(74) *Attorney, Agent, or Firm* — Panitch Schwarze Belisario & Nadel LLP

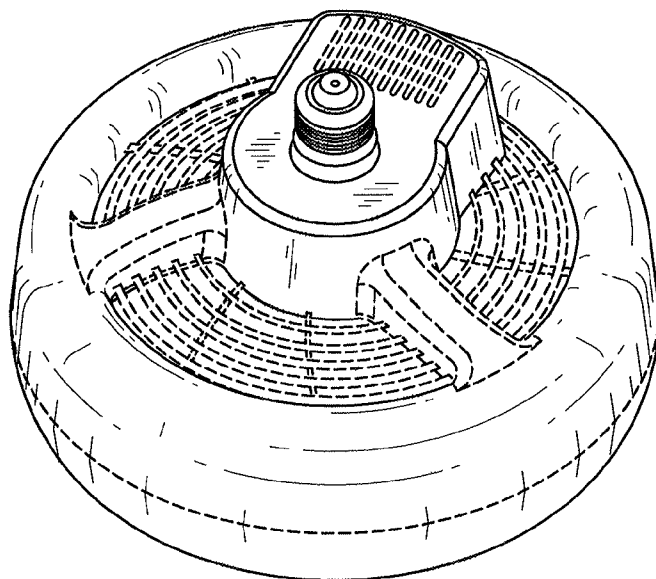
(57) **CLAIM**
The ornamental design for a light-socket ceiling fan, as shown and described.

DESCRIPTION

FIG. 1 is a top, right-front perspective view of a light-socket ceiling fan showing my new design;
FIG. 2 is a top plan view thereof;
FIG. 3 is a front elevational view thereof;
FIG. 4 is a right side elevation view the left side being a mirror image thereof;
FIG. 5 is a bottom plan view thereof; and,
FIG. 6 is a rear elevational view thereof.
The broken lines in the figures are for illustrative purposes only and form no part of the claimed design.

1 Claim, 4 Drawing Sheets

- (56) **References Cited**
U.S. PATENT DOCUMENTS
785,004 A * 3/1905 Klemm et al. 310/91
1,222,837 A * 4/1917 Winslow et al. 416/5
2,434,130 A * 1/1948 Turner 416/246
D283,156 S * 3/1986 Mandelli et al. D23/379
4,882,467 A * 11/1989 Dimick 219/219
5,287,253 A * 2/1994 Blorstad 362/92



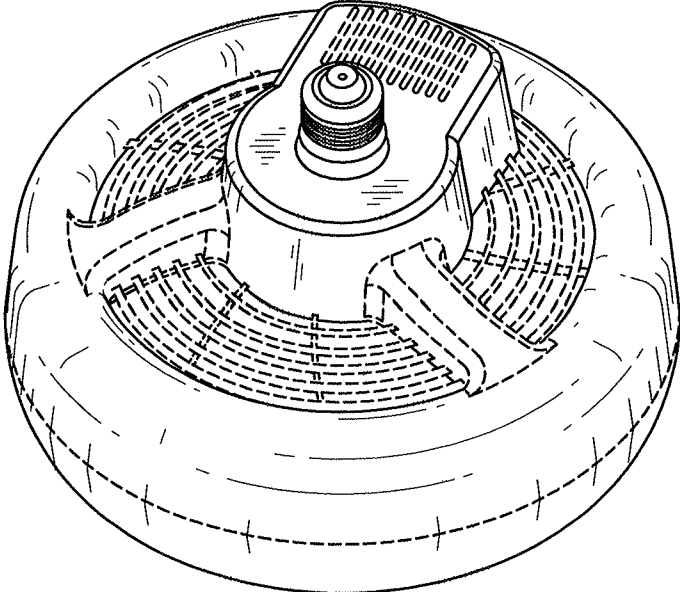


Fig. 1

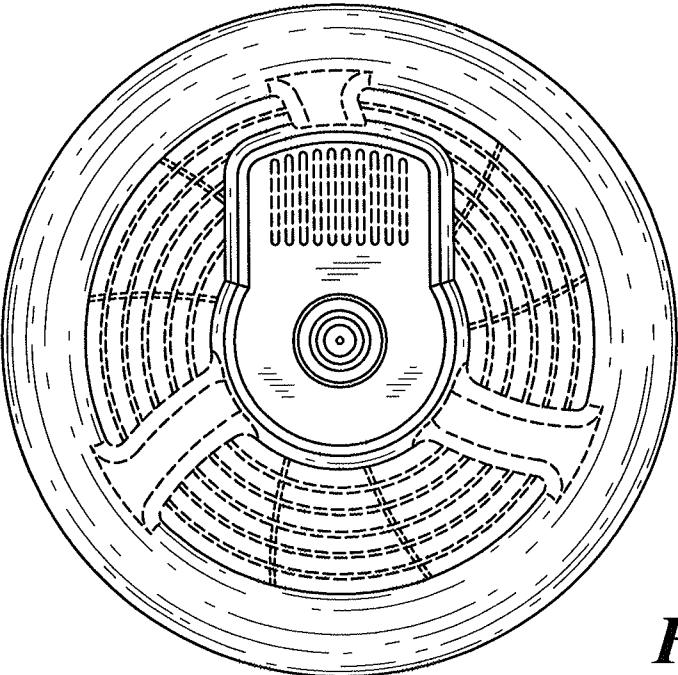


Fig. 2

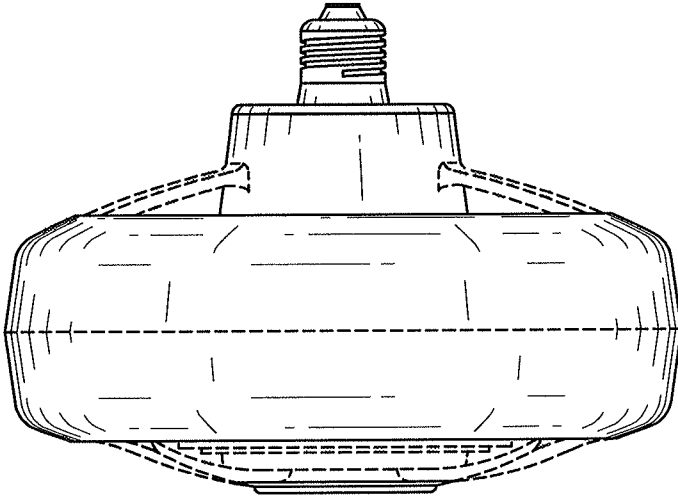


Fig. 3

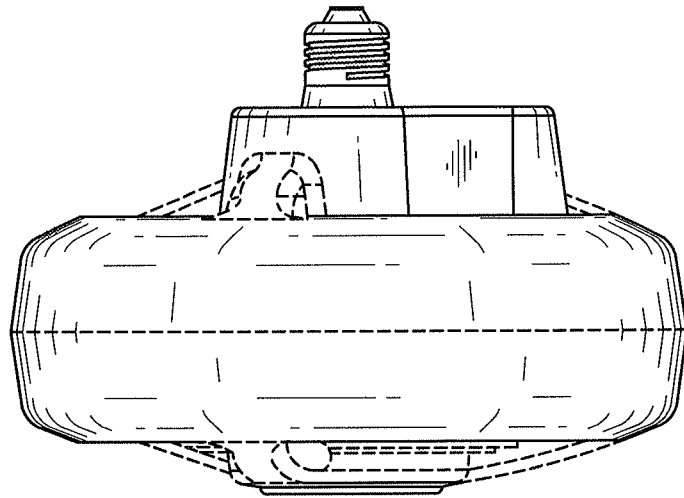


Fig. 4

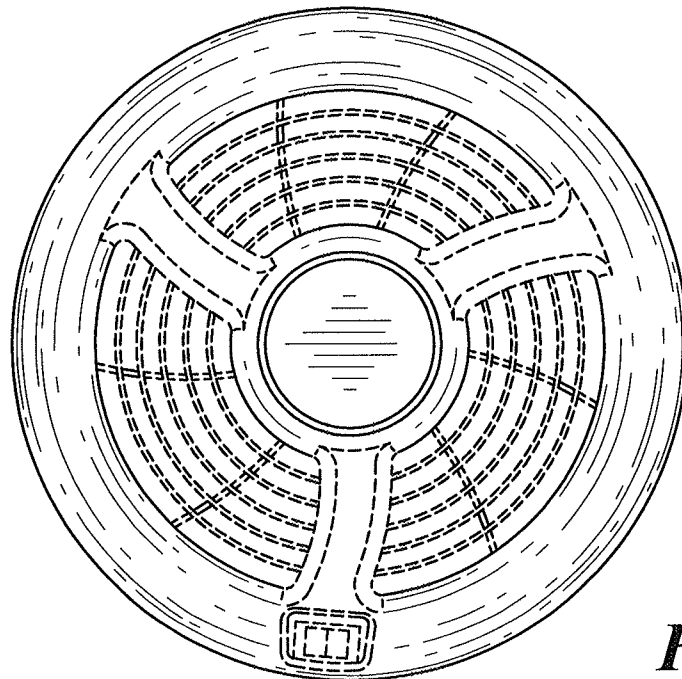


Fig. 5

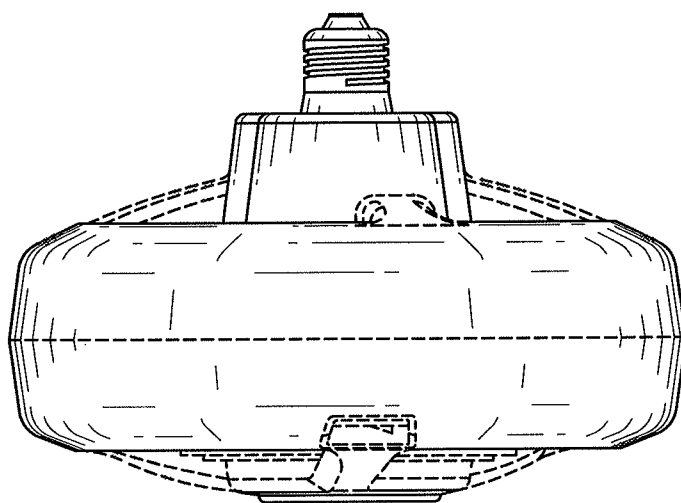


Fig. 6