

(19) World Intellectual Property Organization
International Bureau



(43) International Publication Date
1 December 2011 (01.12.2011)

(10) International Publication Number
WO 2011/149739 A3

(51) International Patent Classification:

G02B 27/22 (2006.01) G02B 27/26 (2006.01)
F21V 8/00 (2006.01) H04N 13/04 (2006.01)
G02F 1/13357 (2006.01)

(21) International Application Number:

PCT/US2011/037016

(22) International Filing Date:

18 May 2011 (18.05.2011)

(25) Filing Language:

English

(26) Publication Language:

English

(30) Priority Data:

61/348,583 26 May 2010 (26.05.2010) US
12/954,059 24 November 2010 (24.11.2010) US

(71) Applicant (for all designated States except US): MICROSOFT CORPORATION [US/US]; One Microsoft Way, Redmond, Washington 98052-6399 (US).

(72) Inventors: TRAVIS, Adrian; c/o Microsoft Corporation, LCA - International Patents, One Microsoft Way, Redmond, Washington 98052-6399 (US). EMERTON, Neil; c/o Microsoft Corporation, LCA - International Patents, One Microsoft Way, Redmond, Washington 98052-6399 (US). LARGE, Timothy; c/o Microsoft Corporation, LCA - International Patents, One Microsoft Way, Redmond, Washington 98052-6399 (US).

(81) Designated States (unless otherwise indicated, for every kind of national protection available): AE, AG, AL, AM, AO, AT, AU, AZ, BA, BB, BG, BH, BR, BW, BY, BZ, CA, CH, CL, CN, CO, CR, CU, CZ, DE, DK, DM, DO, DZ, EC, EE, EG, ES, FI, GB, GD, GE, GH, GM, GT, HN, HR, HU, ID, IL, IN, IS, JP, KE, KG, KM, KN, KP, KR, KZ, LA, LC, LK, LR, LS, LT, LU, LY, MA, MD, ME, MG, MK, MN, MW, MX, MY, MZ, NA, NG, NI, NO, NZ, OM, PE, PG, PH, PL, PT, RO, RS, RU, SC, SD, SE, SG, SK, SL, SM, ST, SV, SY, TH, TJ, TM, TN, TR, TT, TZ, UA, UG, US, UZ, VC, VN, ZA, ZM, ZW.

(84) Designated States (unless otherwise indicated, for every kind of regional protection available): ARIPO (BW, GH, GM, KE, LR, LS, MW, MZ, NA, SD, SL, SZ, TZ, UG, ZM, ZW), Eurasian (AM, AZ, BY, KG, KZ, MD, RU, TJ, TM), European (AL, AT, BE, BG, CH, CY, CZ, DE, DK, EE, ES, FI, FR, GB, GR, HR, HU, IE, IS, IT, LT, LU, LV, MC, MK, MT, NL, NO, PL, PT, RO, RS, SE, SI, SK, SM, TR), OAPI (BF, BJ, CF, CG, CI, CM, GA, GN, GQ, GW, ML, MR, NE, SN, TD, TG).

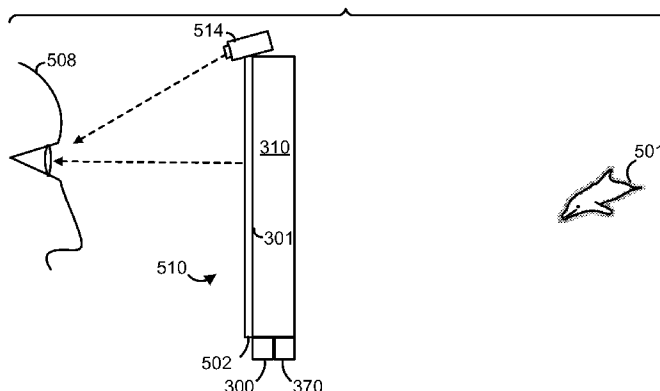
Declarations under Rule 4.17:

- as to applicant's entitlement to apply for and be granted a patent (Rule 4.17(ii))
- as to the applicant's entitlement to claim the priority of the earlier application (Rule 4.17(iii))

[Continued on next page]

(54) Title: SHADOW ELIMINATION IN THE BACKLIGHT FOR A 3-D DISPLAY

Fig. 6A



(57) Abstract: A light guide device can provide a backlight for an LCD or a projection display. The light guide device includes a light-input end and an opposing end, opposing left and right sides which join the light-input end and the opposing end, and opposing front and back surfaces which join the light-input end and the opposing end. A birefringent film is provided on the opposing left and right sides of the light guide which switches a polarization of incident light. Incident light is provided at the light-input end having a right-handed circular polarization, in addition to light having a left-handed circular polarization. Light emitted from the front surface passes through a linear polarizer which selectively passes light to allow privacy of viewing by a user. The incident light can be provided at the light-input end using one or more cuboid rods, slab light guides, or discrete light sources.

WO 2011/149739 A3



Published:

(88) Date of publication of the international search report:

5 April 2012

- *with international search report (Art. 21(3))*
- *before the expiration of the time limit for amending the claims and to be republished in the event of receipt of amendments (Rule 48.2(h))*

A. CLASSIFICATION OF SUBJECT MATTER**G02B 27/22(2006.01)i, F21V 8/00(2006.01)i, G02F 1/13357(2006.01)i, G02B 27/26(2006.01)i, H04N 13/04(2006.01)i**

According to International Patent Classification (IPC) or to both national classification and IPC

B. FIELDS SEARCHED

Minimum documentation searched (classification system followed by classification symbols)

G02B 27/22; G09G 3/36; G03B 21/00; F21V 7/04; G02F 1/1335; F21V 8/00

Documentation searched other than minimum documentation to the extent that such documents are included in the fields searched

Korean utility models and applications for utility models

Japanese utility models and applications for utility models

Electronic data base consulted during the international search (name of data base and, where practicable, search terms used)

eKOMPASS(KIPO internal) & Keywords: light guide, birefringent, polarization, backlight

C. DOCUMENTS CONSIDERED TO BE RELEVANT

Category*	Citation of document, with indication, where appropriate, of the relevant passages	Relevant to claim No.
A	JP 11-287993 A (SHIMADA PRECISION KK) 19 October 1999 See abstract, claims 1-3 and figures 1-5	1-10
A	JP 11-160699 A (MITSUBISHI ELECTRIC CORP) 18 June 1999 See abstract, claims 1-4 and figures 1-10	1-10
A	US 7463315 B2 (CHANG YI-HUI) 09 December 2008 See abstract, claims 1-20 and figures 1-3, 6	1-10
A	JP 2004-526202 A (Cambridge Flat Projection Displays Limited) 26 August 2004 See abstract, claims 1-8 and figures 1-4	1-10
A	US 2007-0109811 A1 (MARCELLINUS KRIJN et al.) 17 May 2007 See abstract, claims 1-3 and figures 1-3	1-10

 Further documents are listed in the continuation of Box C. See patent family annex.

* Special categories of cited documents:

"A" document defining the general state of the art which is not considered to be of particular relevance

"E" earlier application or patent but published on or after the international filing date

"L" document which may throw doubts on priority claim(s) or which is cited to establish the publication date of citation or other special reason (as specified)

"O" document referring to an oral disclosure, use, exhibition or other means

"P" document published prior to the international filing date but later than the priority date claimed

"T" later document published after the international filing date or priority date and not in conflict with the application but cited to understand the principle or theory underlying the invention

"X" document of particular relevance; the claimed invention cannot be considered novel or cannot be considered to involve an inventive step when the document is taken alone

"Y" document of particular relevance; the claimed invention cannot be considered to involve an inventive step when the document is combined with one or more other such documents, such combination being obvious to a person skilled in the art

"&" document member of the same patent family

Date of the actual completion of the international search

30 JANUARY 2012 (30.01.2012)

Date of mailing of the international search report

09 FEBRUARY 2012 (09.02.2012)

Name and mailing address of the ISA/KR

Korean Intellectual Property Office
Government Complex-Daejeon, 189 Cheongsu-ro,
Seo-gu, Daejeon 302-701, Republic of Korea

Facsimile No. 82-42-472-7140

Authorized officer

HONG, Seung Moo

Telephone No. 82-42-481-8577



INTERNATIONAL SEARCH REPORT

Information on patent family members

International application No.

PCT/US2011/037016

Patent document cited in search report	Publication date	Patent family member(s)	Publication date
JP 11-287993 A	19.10.1999	JP 02-986773 B2	01.10.1999
		JP 02-986773 B2	06.12.1999
		US 6196691 B1	06.03.2001
JP 11-160699 A	18.06.1999	None	
US 7463315 B2	09.12.2008	US 2005-200773 A1	15.09.2005
JP 2004-526202 A	26.08.2004	CA 2442671 A1	17.10.2002
		CA 2442671 C	26.10.2010
		CN 100495115 C	03.06.2009
		CN 1500224 A	26.05.2004
		DE 60233214 D1	17.09.2009
		EP 1377871 A1	07.01.2004
		EP 1377871 B1	05.08.2009
		GB 0108838 D0	30.05.2001
		IL 158242A	29.04.2010
		IL 158242D0	12.05.2004
		JP 03-990984 B2	17.10.2007
		US 2004-0130797 A1	08.07.2004
		US 6847488 B2	25.01.2005
		WO 02-082168 A1	17.10.2002
WO 02-082168 A8	05.02.2004		
ZA200307555A	29.03.2004		
US 2007-0109811 A1	17.05.2007	CN 1856720 A	01.11.2006
		CN 1856720 C0	05.11.2008
		EP 1709467 A1	11.10.2006
		GB 0322682 D0	29.10.2003
		JP 2007-507071 A	22.03.2007
		JP 2007-507071 T	22.03.2007
		KR 10-2006-0134915 A	28.12.2006
		TW 1332068A	21.10.2010
		US 7876397 B2	25.01.2011
		WO 2005-031412 A1	07.04.2005