

(19) World Intellectual Property Organization  
International Bureau



(43) International Publication Date  
23 February 2006 (23.02.2006)

PCT

(10) International Publication Number  
WO 2006/019425 A3

(51) International Patent Classification:

F04B 53/10 (2006.01) F16L 7/00 (2006.01)  
F04B 39/10 (2006.01) F16K 15/00 (2006.01)

(21) International Application Number:

PCT/US2005/011925

(22) International Filing Date: 8 April 2005 (08.04.2005)

(25) Filing Language: English

(26) Publication Language: English

(30) Priority Data:  
60/589,649 20 July 2004 (20.07.2004) US

(71) Applicant (for all designated States except US): BARNES GROUP INC. [US/US]; 123 Main Street, Bristol, CT 06010 (US).

(72) Inventor; and

(75) Inventor/Applicant (for US only): CRISP, David, L. [US/US]; 235 Cherry Grove Lane, Commerce Township, MI 48390 (US).

(74) Agent: VICKERS, Robert, V.; Fay, Sharpe, Fagan, Minnich & McKee, LLP, 1100 Superior Avenue, 7th Floor, Cleveland, OH 44114-2579 (US).

(81) Designated States (unless otherwise indicated, for every kind of national protection available): AE, AG, AL, AM,

AT, AU, AZ, BA, BB, BG, BR, BW, BY, BZ, CA, CH, CN, CO, CR, CU, CZ, DE, DK, DM, DZ, EC, EE, EG, ES, FI, GB, GD, GE, GH, GM, HR, HU, ID, IL, IN, IS, JP, KE, KG, KM, KP, KR, KZ, LC, LK, LR, LS, LT, LU, LV, MA, MD, MG, MK, MN, MW, MX, MZ, NA, NI, NO, NZ, OM, PG, PH, PL, PT, RO, RU, SC, SD, SE, SG, SK, SL, SM, SY, TJ, TM, TN, TR, TT, TZ, UA, UG, US, UZ, VC, VN, YU, ZA, ZM, ZW.

(84) Designated States (unless otherwise indicated, for every kind of regional protection available): ARIPO (BW, GH, GM, KE, LS, MW, MZ, NA, SD, SL, SZ, TZ, UG, ZM, ZW), Eurasian (AM, AZ, BY, KG, KZ, MD, RU, TJ, TM), European (AT, BE, BG, CH, CY, CZ, DE, DK, EE, ES, FI, FR, GB, GR, HU, IE, IS, IT, LT, LU, MC, NL, PL, PT, RO, SE, SI, SK, TR), OAPI (BF, BJ, CF, CG, CI, CM, GA, GN, GQ, GW, ML, MR, NE, SN, TD, TG).

Declarations under Rule 4.17:

- as to the applicant's entitlement to claim the priority of the earlier application (Rule 4.17(iii)) for all designations
- of inventorship (Rule 4.17(iv)) for US only

Published:

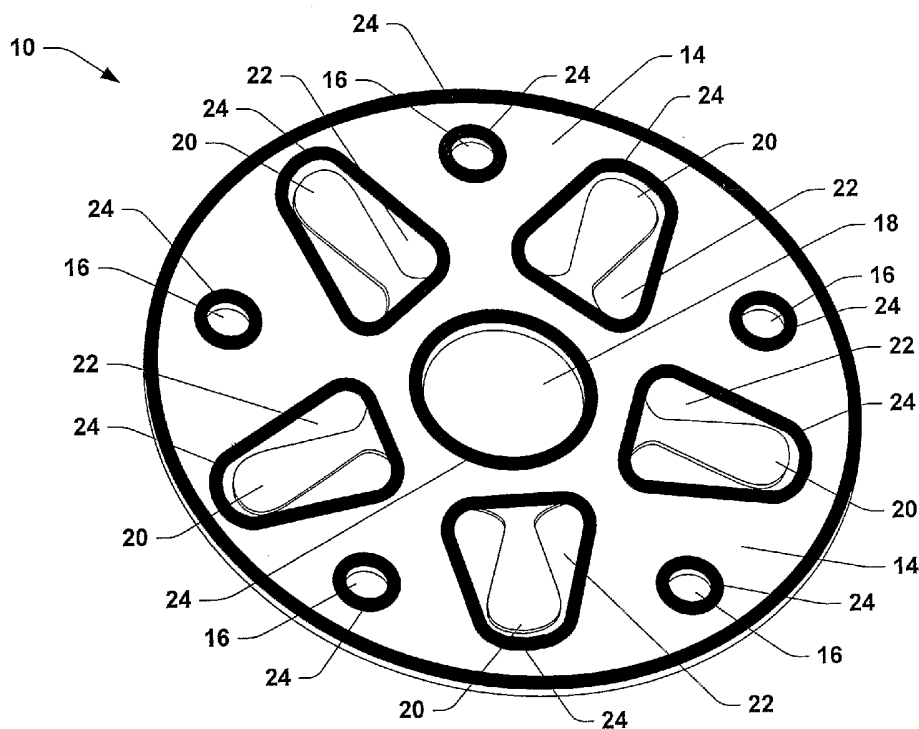
- with international search report

(88) Date of publication of the international search report:

18 January 2007

[Continued on next page]

(54) Title: VALVE OR VALVE PLATE HAVING AN INTEGRATED GASKET



(57) Abstract: Valves and valve plates are presented along with fabrication methods therefor, in which a seal is integrated with the valve or valve plate for sealing the valve or valve plate with a mating component without the use of a secondary sealing gasket.

WO 2006/019425 A3



---

*For two-letter codes and other abbreviations, refer to the "Guidance Notes on Codes and Abbreviations" appearing at the beginning of each regular issue of the PCT Gazette.*

**INTERNATIONAL SEARCH REPORT**

International application No.  
PCT/US05/11925

**A. CLASSIFICATION OF SUBJECT MATTER**  
 IPC: **F04B 53/10**( 2006.01);**39/10**( 2006.01);**F16L 7/00**( 2006.01);**F16K 15/00**( 2006.01)  
  
 USPC: 137/375,512.1;417/569  
 According to International Patent Classification (IPC) or to both national classification and IPC

**B. FIELDS SEARCHED**  
 Minimum documentation searched (classification system followed by classification symbols)  
 U.S. : 137/375,512.1;417/569

Documentation searched other than minimum documentation to the extent that such documents are included in the fields searched

Electronic data base consulted during the international search (name of data base and, where practicable, search terms used)

**C. DOCUMENTS CONSIDERED TO BE RELEVANT**

Category *	Citation of document, with indication, where appropriate, of the relevant passages	Relevant to claim No.
X --- Y	US 20030044294 A1 (SHINTOKU et al) 06 March 2003 (06.03.2003), See para. [0027] through para. [0040].	1-3,8, 9, 19-22, 26, 28 ----- 4-7,10-18,23-25,27
Y	US 6,227,814 B1 (YOKOMACHI et al) 08 May 2001 (08.05.2001), See figs. 2 and 4 and col. 7, line 52 through col. 8, line 40.	4-7,10-18,23-25
X	JP 9-280167 A (SANDEN CORP) 28 October 1997 (28.10.1997), See entire document.	28
X --- Y	US 4,522,374 A (NEFF) 11 June 1985 (11.06.1985), See entire document.	28 ----- 27
X	US 6,019,132 A (KNAPP) 01 February 2000 (01.02.2000), See entire document.	28

Further documents are listed in the continuation of Box C.  See patent family annex.

* Special categories of cited documents:		"T"
"A"	document defining the general state of the art which is not considered to be of particular relevance	later document published after the international filing date or priority date and not in conflict with the application but cited to understand the principle or theory underlying the invention
"E"	earlier application or patent published on or after the international filing date	"X"
"L"	document which may throw doubts on priority claim(s) or which is cited to establish the publication date of another citation or other special reason (as specified)	document of particular relevance; the claimed invention cannot be considered novel or cannot be considered to involve an inventive step when the document is taken alone
"O"	document referring to an oral disclosure, use, exhibition or other means	"Y"
"P"	document published prior to the international filing date but later than the priority date claimed	document of particular relevance; the claimed invention cannot be considered to involve an inventive step when the document is combined with one or more other such documents, such combination being obvious to a person skilled in the art
		"&"
		document member of the same patent family

Date of the actual completion of the international search  
18 September 2006 (18.09.2006)

Date of mailing of the international search report  
**01 NOV 2006**

Name and mailing address of the ISA/US  
 Mail Stop PCT, Attn: ISA/US  
 Commissioner for Patents  
 P.O. Box 1450  
 Alexandria, Virginia 22313-1450  
 Facsimile No. (571) 273-3201

Authorized officer  
 John Rivell *Shawn D. Greene*  
 Telephone No. (571) 272-3750