



US00D971069S

(12) **United States Design Patent**  
**Riordan**

(10) **Patent No.:** **US D971,069 S**

(45) **Date of Patent:** **\*\* Nov. 29, 2022**

- (54) **ENGRAVED SYMBOL**
- (71) Applicant: **Michael Lee Riordan**, Incline Village, NV (US)
- (72) Inventor: **Michael Lee Riordan**, Incline Village, NV (US)
- (\*\*) Term: **15 Years**
- (21) Appl. No.: **29/713,676**
- (22) Filed: **Nov. 18, 2019**
- (51) **LOC (13) Cl.** ..... **11-01**
- (52) **U.S. Cl.**  
USPC ..... **D11/95**  
CPC ..... **A44C 1/00** (2013.01)
- (58) **Field of Classification Search**  
USPC .... D11/79, 95–116, 121, 184; D14/485–495  
CPC ... A44C 1/00; A44C 5/00; A44C 5/02; A44C 5/10; A44C 5/102; A44C 5/105; A44C 5/18; A44C 7/00; A44C 7/002; A44C 7/003; A44C 7/004; A44C 7/005; A44C 7/006; A44C 7/007; A44C 7/008; A44C 15/0025; A44C 15/004; A44C 15/005; A44C 15/0055; A44C 25/00; A44C 25/001; A44C 25/005; A44C 25/007; A44C 25/008  
See application file for complete search history.

2,345,556	A *	4/1944	Doerr	.....	A44C 1/00
					40/1.5
2,410,845	A *	11/1946	Snell	.....	G07F 1/06
					63/23
D168,191	S *	11/1952	Saksa	.....	D19/99
D179,436	S *	12/1956	Arbib et al.	.....	D11/95
3,977,678	A *	8/1976	Hedberg	.....	A63B 67/06
					D11/95
D277,113	S *	1/1985	Gordon	.....	D20/11
D301,845	S *	6/1989	Yoshida	.....	D11/75
D319,414	S *	8/1991	Moore	.....	D11/131
D518,528	S *	4/2006	Su	.....	D21/390
D669,953	S *	10/2012	Gold	.....	D21/796
D677,194	S *	3/2013	Marovic	.....	D11/95
D712,776	S *	9/2014	Kuiawa	.....	D11/40
D719,179	S *	12/2014	Daniel	.....	D14/485
D751,602	S *	3/2016	Park	.....	D14/489
D757,812	S *	5/2016	Woo	.....	D14/492
D769,983	S *	10/2016	Betsui	.....	D11/95
D786,129	S *	5/2017	Chan	.....	D11/164
D791,829	S *	7/2017	Kang	.....	D14/492

(Continued)

*Primary Examiner* — Richard E Chilcot  
(74) *Attorney, Agent, or Firm* — Banner & Witcoff, Ltd.

(57) **CLAIM**

The ornamental design for an engraved symbol, as shown and described.

**DESCRIPTION**

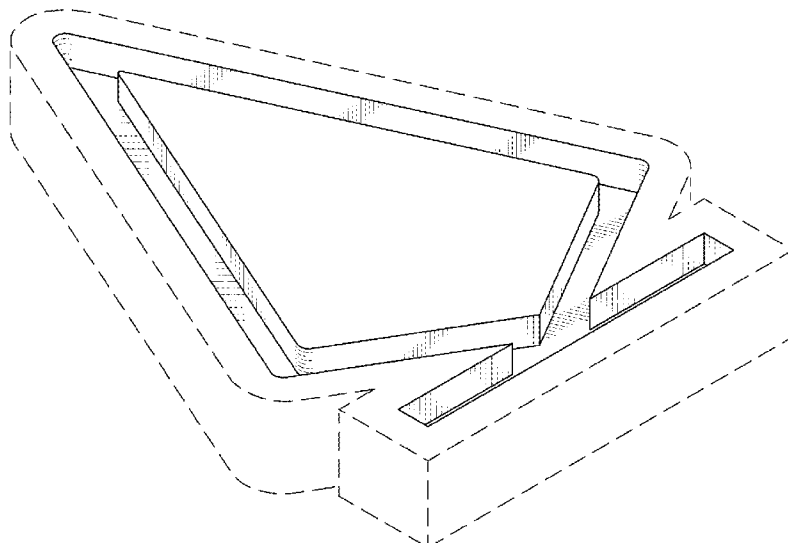
FIG. 1 is a front perspective view of an engraved symbol showing my new design;  
FIG. 2 is a front view thereof;  
FIG. 3 is a right side view thereof;  
FIG. 4 is a left side view thereof;  
FIG. 5 is a top view thereof;  
FIG. 6 is a bottom view thereof; and,  
FIG. 7 is an additional perspective view thereof.  
The unshaded areas form no part of the claimed design. The broken lines immediately adjacent to the perimeter of the engraved symbol form no part of the claimed design.

**1 Claim, 5 Drawing Sheets**

(56) **References Cited**

**U.S. PATENT DOCUMENTS**

D12,963	S *	6/1882	Wilt	.....	D11/116
D18,393	S *	6/1888	Keyser	.....	D11/95
D25,545	S *	5/1896	Kane	.....	D11/95
D44,693	S *	9/1913	Smith	.....	D11/99
D53,748	S *	8/1919	Pratt	.....	D11/170
D61,477	S *	9/1922	Peters	.....	D11/112
D115,265	S *	6/1939	Itton	.....	D99/27
D129,801	S *	10/1941	Burn	.....	D11/95
2,339,364	A *	1/1944	Thomas	.....	A44B 1/30
					D11/116



(56)

**References Cited**

U.S. PATENT DOCUMENTS

D796,584	S	*	9/2017	Okada	.....	D11/95
D826,270	S	*	8/2018	Silva	.....	D14/491
D846,428	S	*	4/2019	Funk	.....	D11/95
D883,851	S	*	5/2020	Funk	.....	D11/95
D902,246	S	*	11/2020	Riordan	.....	D14/489
D955,267	S	*	6/2022	Riordan	.....	D11/79

\* cited by examiner

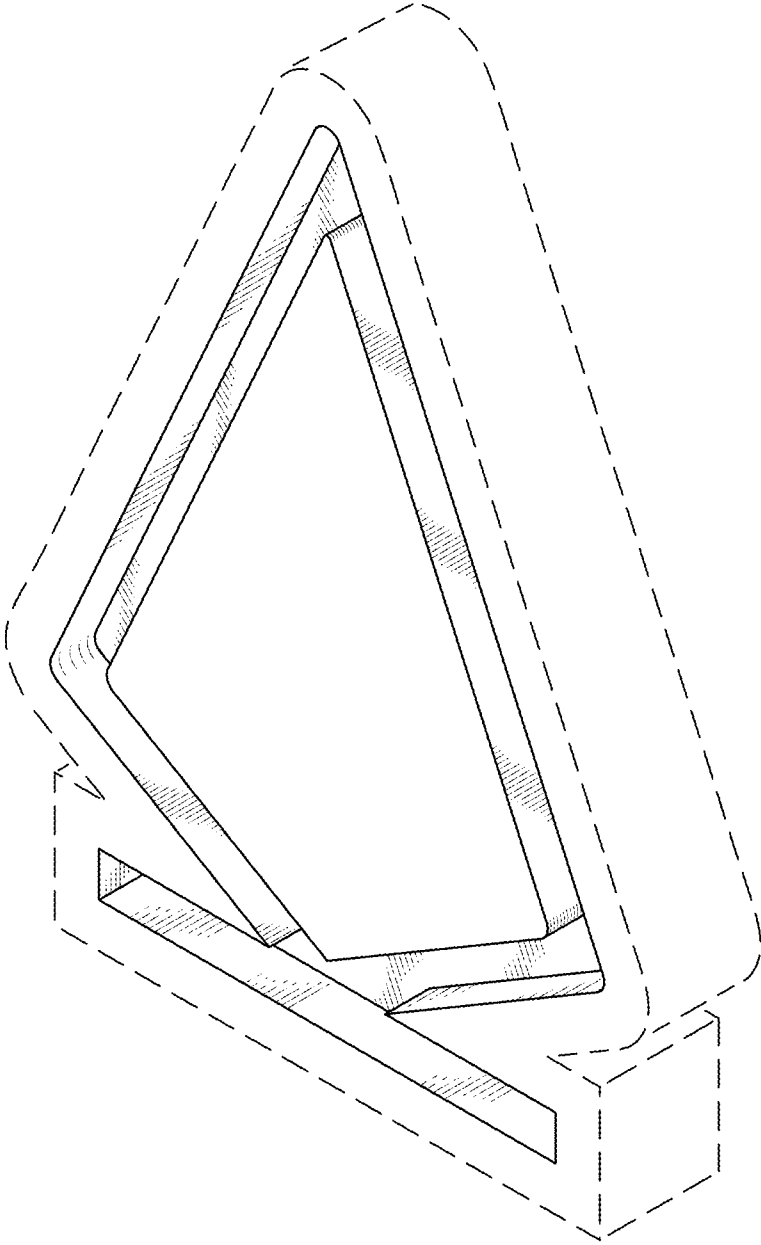


FIG. 1

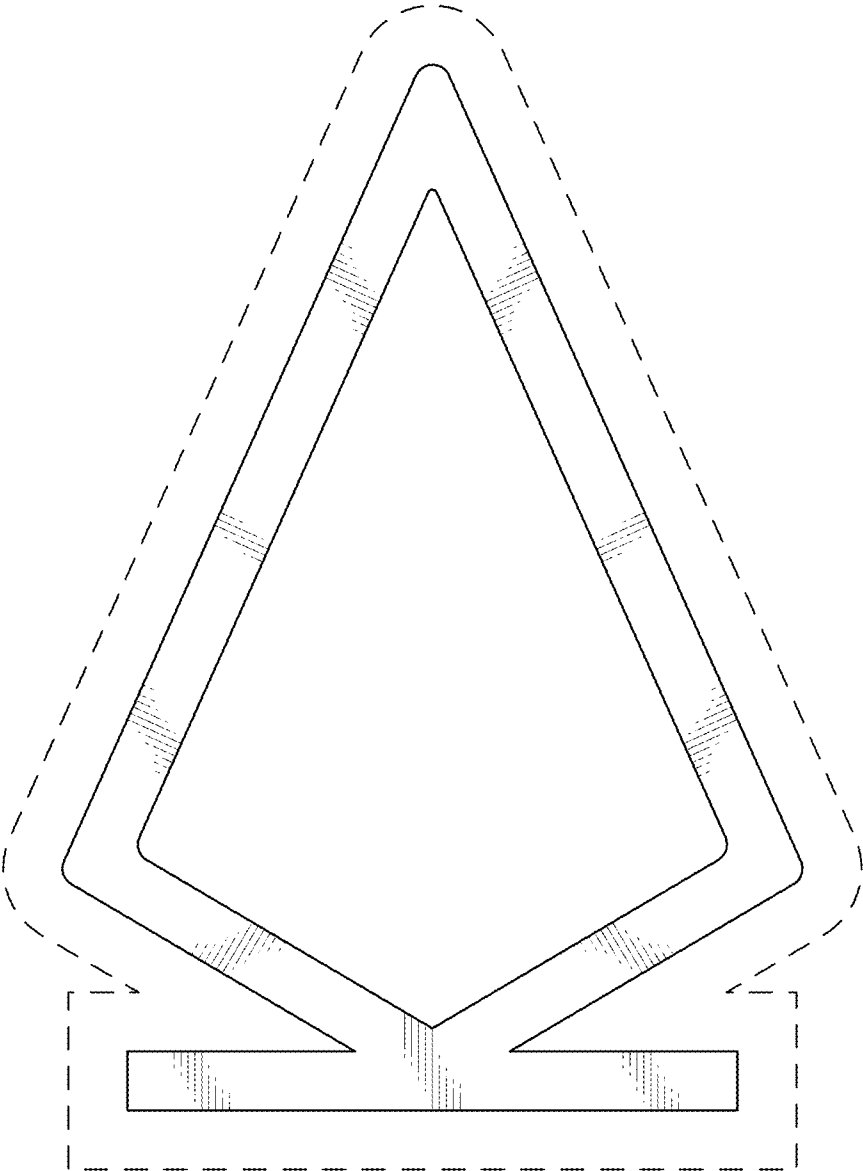


FIG. 2

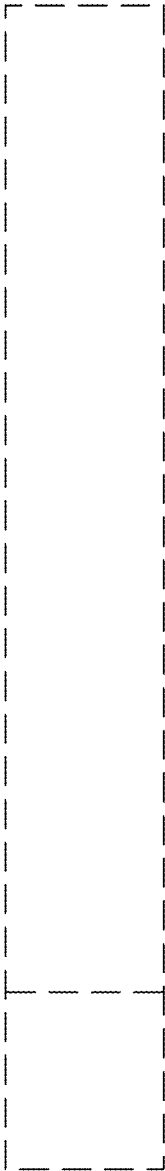


FIG. 3

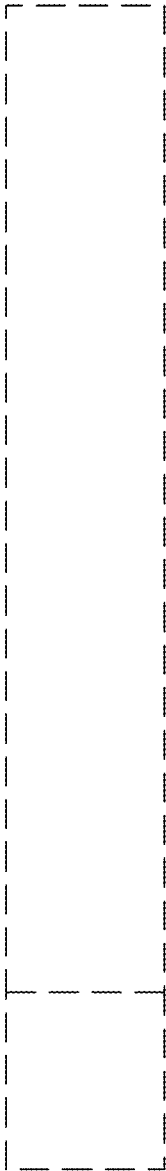


FIG. 4



FIG. 5



FIG. 6

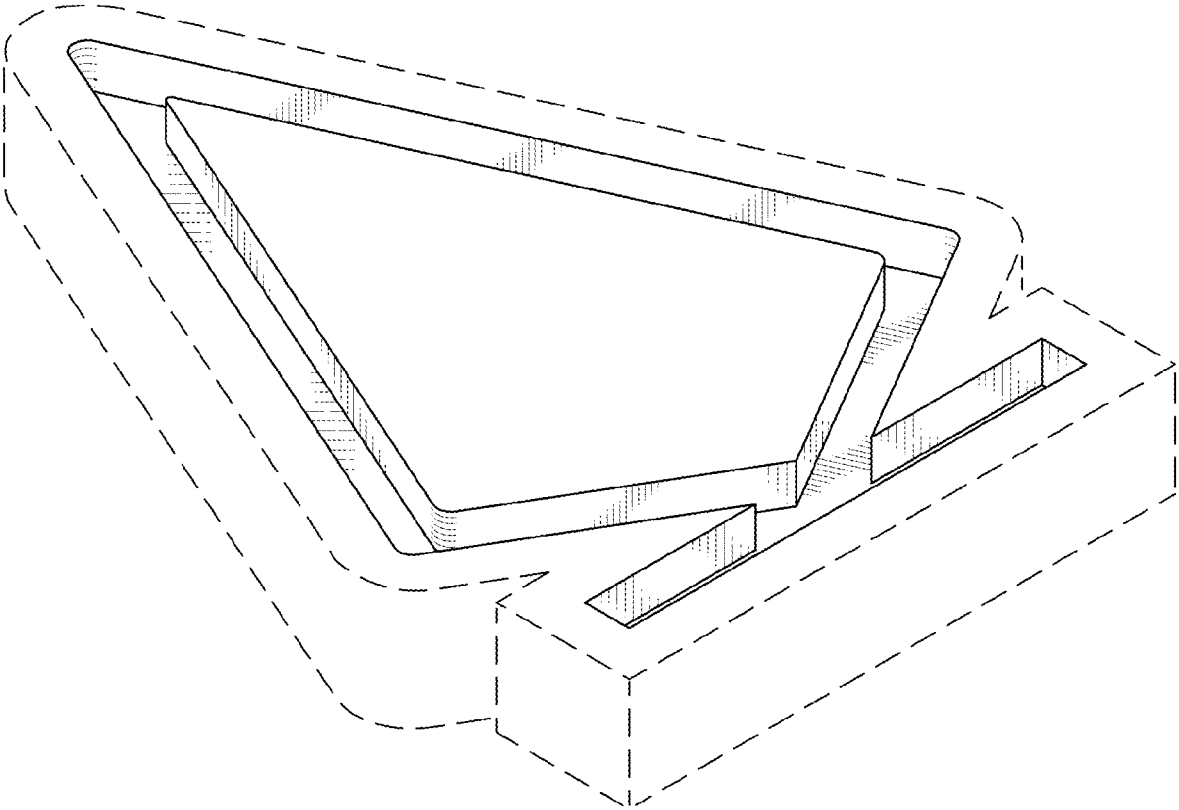


FIG. 7