



US00D415850S

United States Patent [19]

[11] Patent Number: Des. 415,850

Dalton et al.

[45] Date of Patent: ** Oct. 26, 1999

[54] FLASHLIGHT

[75] Inventors: **David R. Dalton**, Turrumurra; **John R. Brown**, Mosman; **Michael S. Squires**, Ryde, all of Australia

[73] Assignee: **Eveready Battery Company Inc.**, Westlake, Ohio

[**] Term: 14 Years

[21] Appl. No.: 29/097,893

[22] Filed: Dec. 17, 1998

[30] Foreign Application Priority Data

Jun. 17, 1998 [AU] Australia 1751/1998

[51] LOC (6) Cl. 26-02

[52] U.S. Cl. D26/48

[58] Field of Search D26/37-50; 362/157, 362/158, 183-208

[56] References Cited

U.S. PATENT DOCUMENTS

- D. 333,359 2/1993 Burns et al. D26/48
- D. 355,721 2/1995 Garrity D26/37

- D. 359,814 6/1995 Yuen D26/48
- D. 360,043 7/1995 Inukai D26/48
- D. 372,549 8/1996 Zo D26/48
- D. 376,863 12/1996 Yuen D26/48
- D. 389,594 1/1998 Doon D26/48
- D. 394,322 5/1998 Dalton et al. D26/48
- D. 403,454 12/1998 Nelina, Jr. et al. D26/48

Primary Examiner—Marcus A. Jackson
Attorney, Agent, or Firm—Price, Heneveld, Cooper, DeWitt and Litton

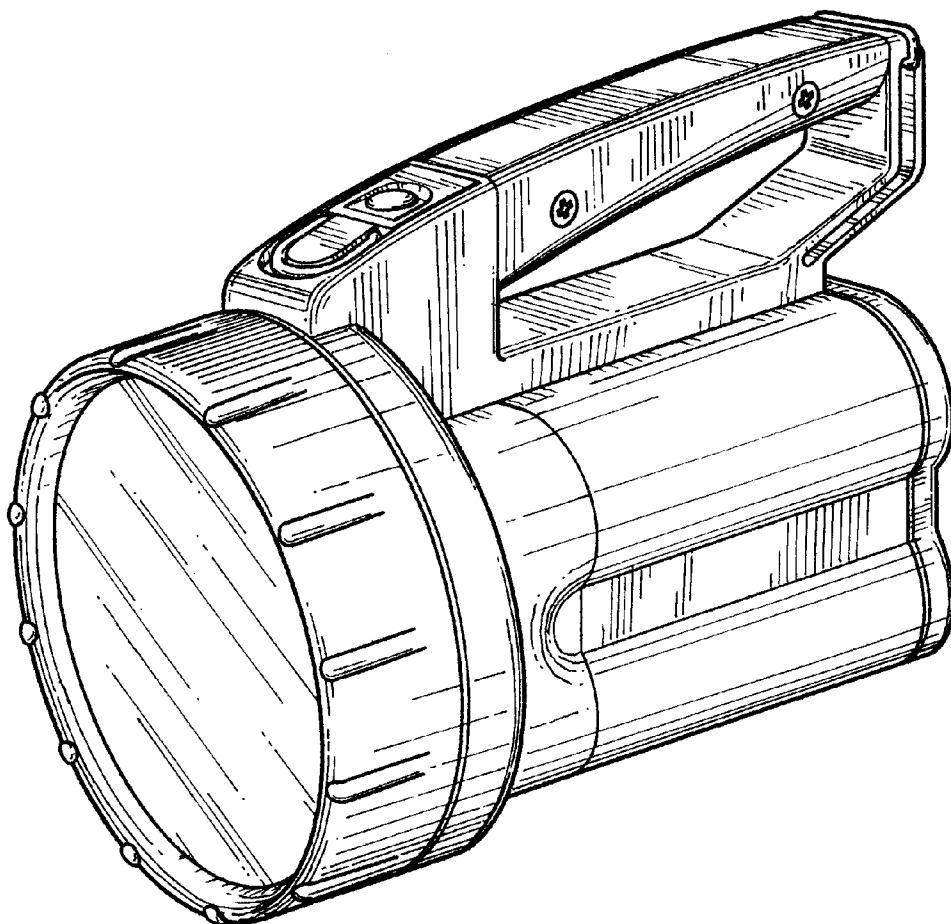
[57] CLAIM

We claim the ornamental design for the flashlight, as shown and described.

DESCRIPTION

FIG. 1 is a perspective view of a flashlight, showing our new design;
FIG. 2 is a right side elevation view, the left side elevation view being a mirror image thereof;
FIG. 3 is a top plan view;
FIG. 4 is a bottom plan view;
FIG. 5 a rear elevation view; and,
FIG. 6 is a front elevation view.

1 Claim, 3 Drawing Sheets



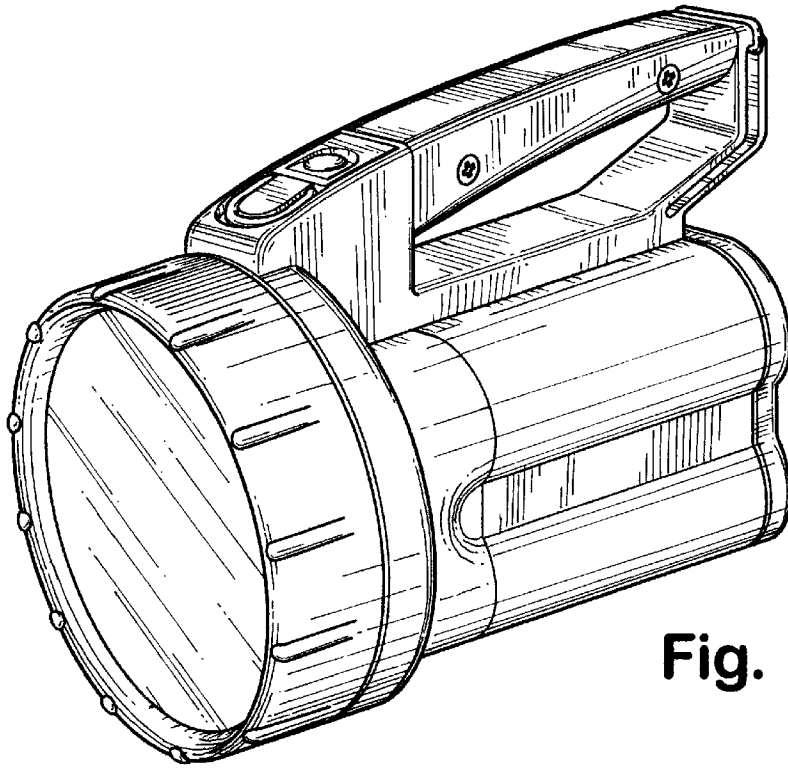


Fig. 1

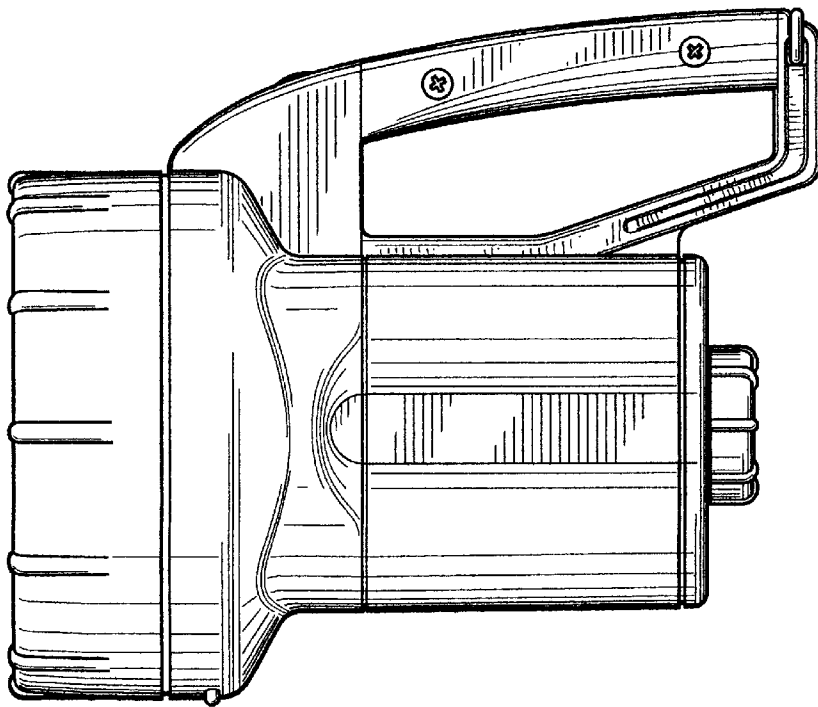


Fig. 2

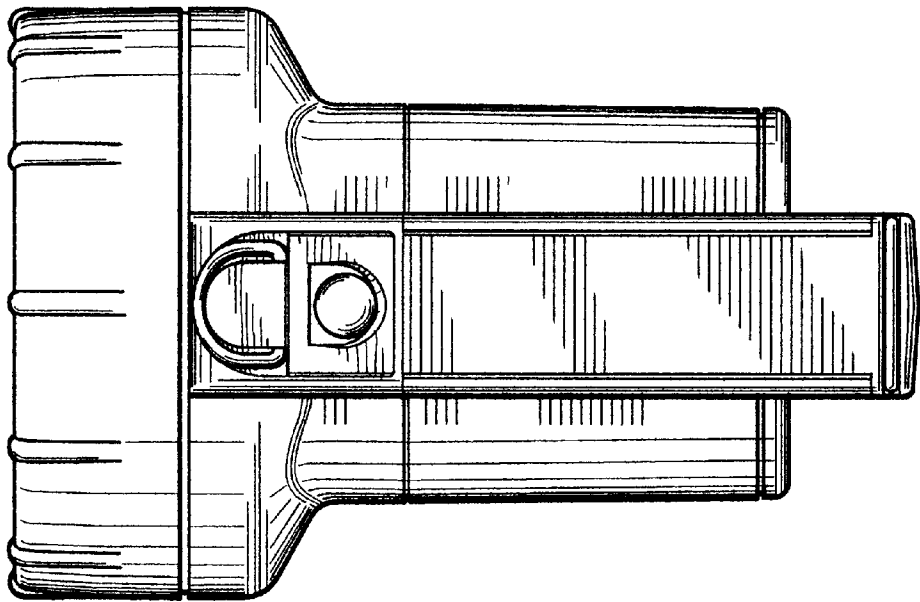


Fig. 3

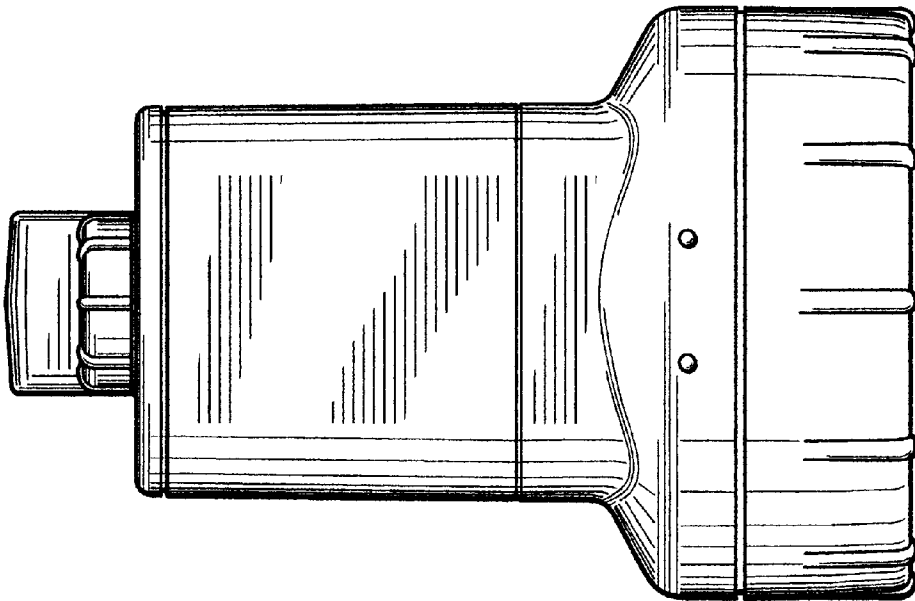


Fig. 4

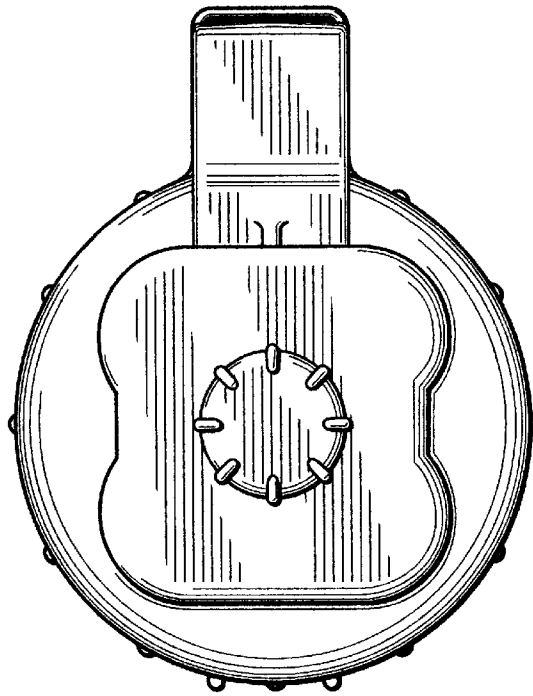


Fig. 5

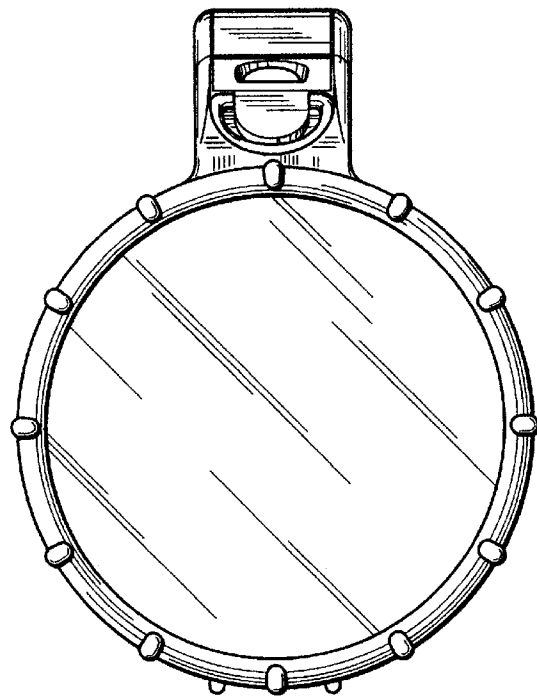


Fig. 6