



US00D706701S

(12) **United States Design Patent**
Mays et al.

(10) **Patent No.:** **US D706,701 S**

(45) **Date of Patent:** **** Jun. 10, 2014**

(54) **VEHICLE WHEEL**

(71) Applicant: **Ford Motor Company**, Dearborn, MI (US)

(72) Inventors: **J C. Mays**, Bloomfield Hills, MI (US);
Moray S. Callum, Ann Arbor, MI (US);
Joel Piaskowski, Brighton (AU);
Darrell Behmer, Novi, MI (US); **Garen Nicoghosian**, Bloomfield Hills, MI (US);
Mark Kaski, Royal Oak, MI (US)

(73) Assignee: **Ford Motor Company**, Dearborn, MI (US)

(**) Term: **14 Years**

(21) Appl. No.: **29/476,802**

(22) Filed: **Dec. 17, 2013**

Related U.S. Application Data

(63) Continuation of application No. 29/469,983, filed on Oct. 16, 2013.

(51) **LOC (10) Cl.** **12-16**

(52) **U.S. Cl.**
USPC **D12/211**

(58) **Field of Classification Search**
USPC D12/204-213; 301/37.101, 64.101, 65, 301/64.201

See application file for complete search history.

(56) **References Cited**

U.S. PATENT DOCUMENTS

D478,307	S	*	8/2003	Maifrini	D12/211
D522,432	S	*	6/2006	Pfeiffer	D12/209
D540,238	S	*	4/2007	Sycha	D12/209
D581,853	S	*	12/2008	Rak	D12/211
D586,280	S	*	2/2009	Blasi	D12/209
D607,396	S	*	1/2010	Gallert	D12/209
D612,790	S	*	3/2010	Tant et al.	D12/211
D639,714	S	*	6/2011	Baum	D12/209
D656,444	S	*	3/2012	Lee	D12/209
D673,096	S	*	12/2012	Platto et al.	D12/209
D673,102	S	*	12/2012	Behmer et al.	D12/211
D697,010	S	*	1/2014	Lorinser	D12/209

* cited by examiner

Primary Examiner — Stacia Cadmus

(74) *Attorney, Agent, or Firm* — Damian Porcari

(57) **CLAIM**

The ornamental design for a vehicle wheel, as shown and described.

DESCRIPTION

FIG. 1 is a front view of a vehicle wheel; and, FIG. 2 is a perspective view of the vehicle wheel.

1 Claim, 2 Drawing Sheets

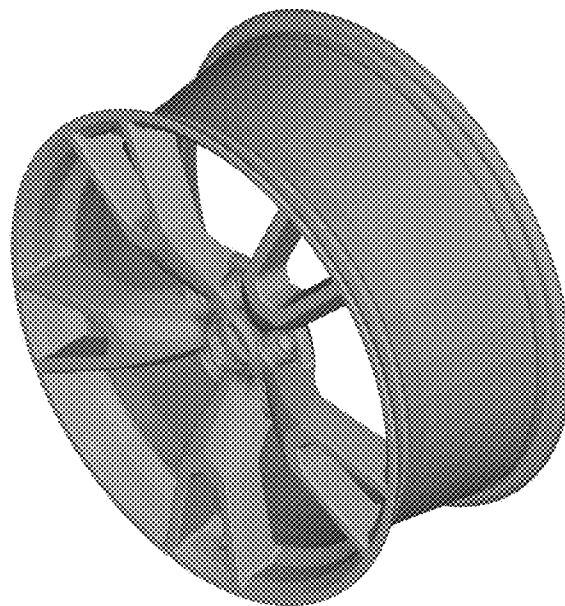
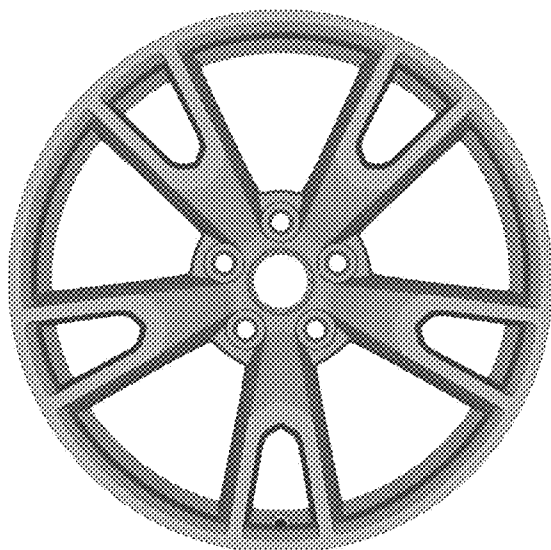




Figure 1

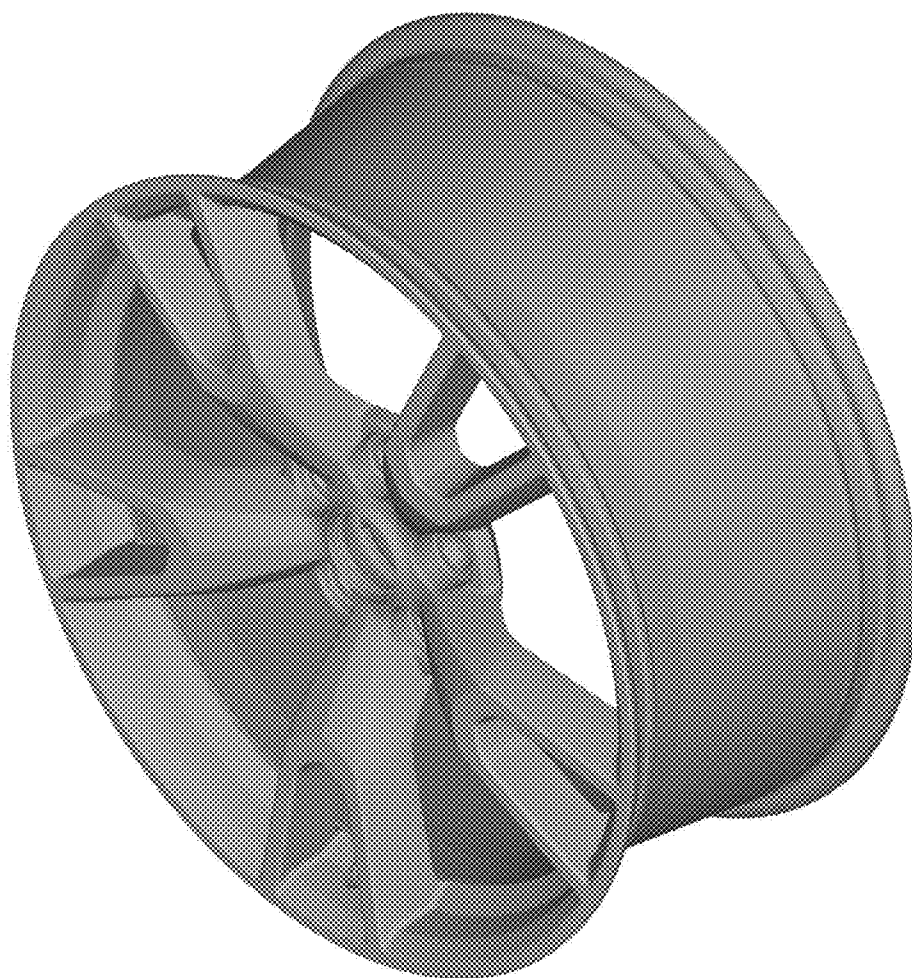


Figure 2