

(19) World Intellectual Property Organization
International Bureau



(43) International Publication Date
2 June 2005 (02.06.2005)

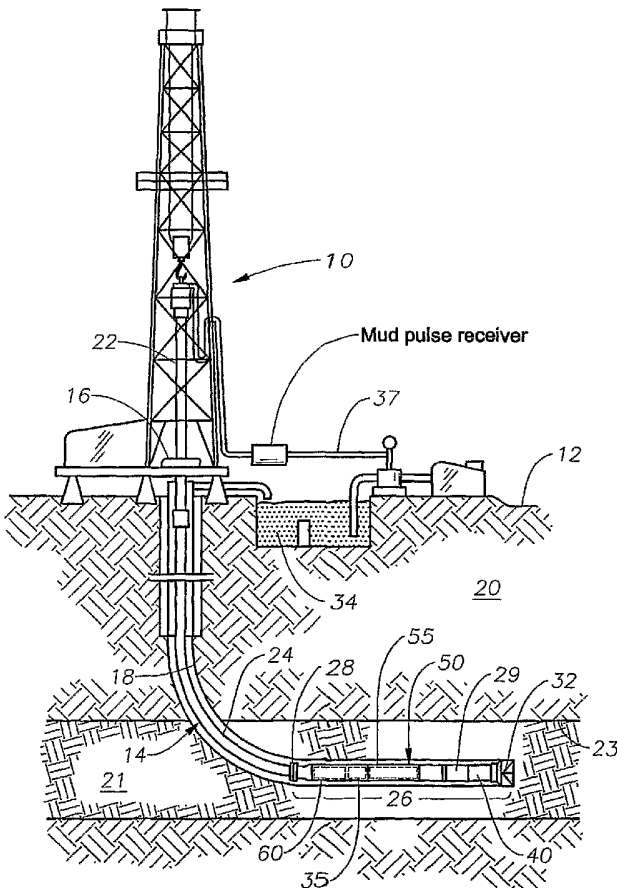
PCT

(10) International Publication Number
WO 2005/050777 A3

- (51) International Patent Classification:
G01V 3/30 (2006.01) G01V 3/18 (2006.01)
- (21) International Application Number:
PCT/US2004/038710
- (22) International Filing Date:
18 November 2004 (18.11.2004)
- (25) Filing Language: English
- (26) Publication Language: English
- (30) Priority Data:
60/520,950 18 November 2003 (18.11.2003) US
60/520,992 18 November 2003 (18.11.2003) US
- (71) Applicant (for all designated States except US): HAL-LIBURTON ENERGY SERVICES, INC. [US/US]; 10200 Bellaire Boulevard, Houston, Texas 77072 (US).
- (72) Inventors; and
- (75) Inventors/Applicants (for US only): FREEMAN, James, J. [US/US]; 18604 Carrot, Spring, TX 77379 (US). VEHRA, Irman [PK/US]; 1703 Willowby, Houston, TX
- 77008 (US). GOLLA, Christopher, A. [US/US]; 2410 Pleasant Creek, Houston, TX 77345 (US). SHARONOV, Sergei [US/US]; 1006 Rosemeadow Drive, Houston, TX 77094 (US).
- (74) Agents: GRAY, Robert, M. et al.; CONLEY ROSE, P.C., P.O. Box 3267, Houston, Texas 77253-3267 (US).
- (81) Designated States (unless otherwise indicated, for every kind of national protection available): AE, AG, AL, AM, AT, AU, AZ, BA, BB, BG, BR, BW, BY, BZ, CA, CH, CN, CO, CR, CU, CZ, DE, DK, DM, DZ, EC, EE, EG, ES, FI, GB, GD, GE, GH, GM, HR, HU, ID, IL, IN, IS, JP, KE, KG, KP, KR, KZ, LC, LK, LR, LS, LT, LU, LV, MA, MD, MG, MK, MN, MW, MX, MZ, NA, NI, NO, NZ, OM, PG, PH, PL, PT, RO, RU, SC, SD, SE, SG, SK, SL, SY, TJ, TM, TN, TR, TT, TZ, UA, UG, US, UZ, VC, VN, YU, ZA, ZM, ZW.
- (84) Designated States (unless otherwise indicated, for every kind of regional protection available): ARIPO (BW, GH, GM, KE, LS, MW, MZ, NA, SD, SL, SZ, TZ, UG, ZM, ZW), Eurasian (AM, AZ, BY, KG, KZ, MD, RU, TJ, TM),

[Continued on next page]

(54) Title: RECEIVER ELECTRONICS PROXIMATE ANTENNA



(57) Abstract: A resistivity tool includes receiver electronics near each receiver antenna loop. Placement of the electronics in this position such as at the circuit card between the terminal ends of the receiver antenna loop improves signal to noise ratio by reducing or eliminating interference, noise, and cross-talk of transmissions from the receiver to a remote microprocessor. By using material such as silicon-on-sapphire, electronics can be miniaturized and operate reliably at when exposed to high temperatures, even for long periods.

WO 2005/050777 A3



European (AT, BE, BG, CH, CY, CZ, DE, DK, EE, ES, FI, FR, GB, GR, HU, IE, IS, IT, LU, MC, NL, PL, PT, RO, SE, SI, SK, TR), OAPI (BF, BJ, CF, CG, CI, CM, GA, GN, GQ, GW, ML, MR, NE, SN, TD, TG).

(88) Date of publication of the international search report:
10 August 2006

Published:

- with international search report
- before the expiration of the time limit for amending the claims and to be republished in the event of receipt of amendments

For two-letter codes and other abbreviations, refer to the "Guidance Notes on Codes and Abbreviations" appearing at the beginning of each regular issue of the PCT Gazette.

INTERNATIONAL SEARCH REPORT

International application No.
PCT/US04/38710

A. CLASSIFICATION OF SUBJECT MATTER
 IPC: **G01V 3/30(2006.01),3/18(2006.01)**

 USPC: 324/334,335,336,337,338,339,340,341,342,343;702/7
 According to International Patent Classification (IPC) or to both national classification and IPC

B. FIELDS SEARCHED
 Minimum documentation searched (classification system followed by classification symbols)
 U.S. : 324/334,335,336,337,338,339,340,341,342,343;702/7

Documentation searched other than minimum documentation to the extent that such documents are included in the fields searched

Electronic data base consulted during the international search (name of data base and, where practicable, search terms used)
 East

C. DOCUMENTS CONSIDERED TO BE RELEVANT

Category *	Citation of document, with indication, where appropriate, of the relevant passages	Relevant to claim No.
X	US 5,278,507 (BARTEL et al) 11 January 1994 (11.01.1994), column 6, line 48 - column 8, line 40	1 - 25

Further documents are listed in the continuation of Box C. See patent family annex.

* Special categories of cited documents:	"T"	later document published after the international filing date or priority date and not in conflict with the application but cited to understand the principle or theory underlying the invention
"A" document defining the general state of the art which is not considered to be of particular relevance	"X"	document of particular relevance; the claimed invention cannot be considered novel or cannot be considered to involve an inventive step when the document is taken alone
"E" earlier application or patent published on or after the international filing date	"Y"	document of particular relevance; the claimed invention cannot be considered to involve an inventive step when the document is combined with one or more other such documents, such combination being obvious to a person skilled in the art
"L" document which may throw doubts on priority claim(s) or which is cited to establish the publication date of another citation or other special reason (as specified)	"&"	document member of the same patent family
"O" document referring to an oral disclosure, use, exhibition or other means		
"P" document published prior to the international filing date but later than the priority date claimed		

Date of the actual completion of the international search 02 June 2006 (02.06.2006)	Date of mailing of the international search report 21 JUN 2006
--	--

Name and mailing address of the ISA/US Mail Stop PCT, Attn: ISA/US Commissioner for Patents P.O. Box 1450 Alexandria, Virginia 22313-1450 Facsimile No. (571) 273-3201	Authorized officer E. Lefkowitz <i>Lydian Sule For</i> Telephone No. 703-308-0956
---	---