



(12) **United States Design Patent**
Colin

(10) **Patent No.:** **US D1,000,705 S**
(45) **Date of Patent:** **** Oct. 3, 2023**

(54) **HAIR CURLER**
(71) Applicant: **BABYLISS FACO SRL**, Wandre (BE)
(72) Inventor: **Nicolas Colin**, Awirs (BE)
(73) Assignee: **BABYLISS FACO SRL**, Wandre (BE)
(**) Term: **15 Years**
(21) Appl. No.: **35/514,485**

D426,024 S * 5/2000 Griffin D28/35
D570,542 S * 6/2008 Leung D28/35
D698,485 S * 1/2014 Beste D28/35
D716,496 S * 10/2014 Fung D28/35
D747,038 S * 1/2016 Speh D28/35
D791,408 S * 7/2017 Brady D28/35
D966,607 S * 10/2022 Chen D28/35
2008/0216856 A1* 9/2008 Cafaro A45D 1/04
132/211
2023/0028857 A1* 1/2023 Wojczak A45D 1/04

(22) Filed: **May 24, 2022**

(80) **Hague Agreement Data**
Int. Filing Date: **May 24, 2022**
Int. Reg. No.: **DM/221236**
Int. Reg. Date: **May 24, 2022**
Int. Reg. Pub. Date: **Jun. 17, 2022**

OTHER PUBLICATIONS
9000 Cordless Waver, BaByliss, reviewed as early as Jun. 28, 2022, retrieved from: <https://www.babyliss.com/uk-en/9000-cordless-waver-9004U.html>.*

* cited by examiner

Primary Examiner — Alison M Ofstun

(30) **Foreign Application Priority Data**
Dec. 10, 2021 (EM) 008794382-0008

(51) **LOC (14) Cl.** **28-03**
(52) **U.S. Cl.**
USPC **D28/35**

(58) **Field of Classification Search**
USPC D28/35
CPC A45D 2/00; A45D 2/001; A45D 2001/004;
A45D 6/00; A45D 7/00; A45D 7/02;
A45D 7/04; A45D 7/06; A45D 1/00;
A45D 1/02; A45D 1/04; A45D 1/06;
A45D 1/08; A45D 1/10; A45D 1/18;
A45D 1/20; A45D 1/28
See application file for complete search history.

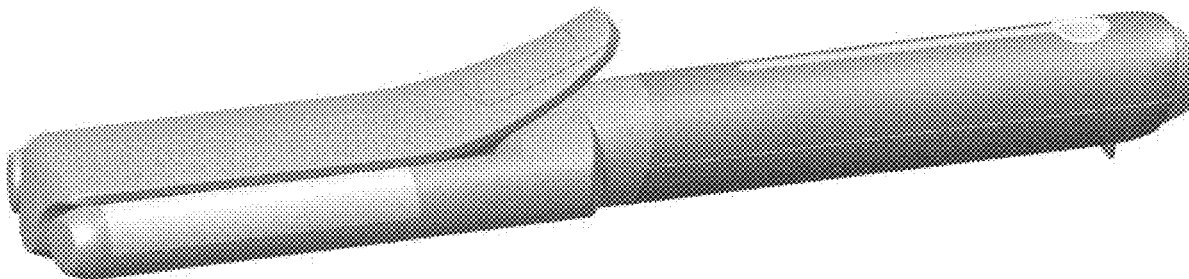
(57) **CLAIM**
The ornamental design for a hair curler, as shown and described.

(56) **References Cited**
U.S. PATENT DOCUMENTS

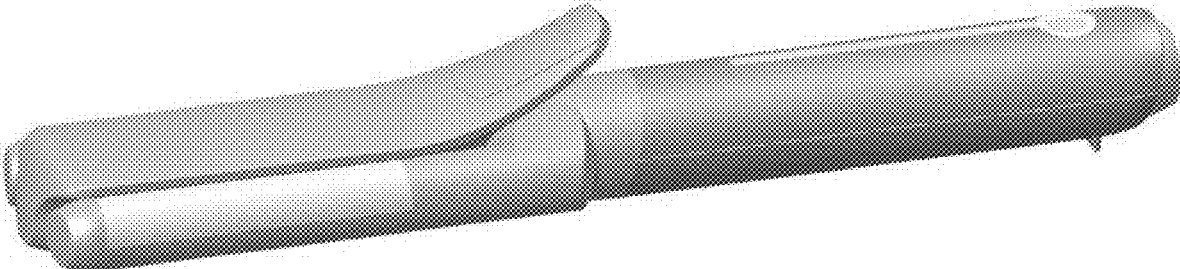
D313,870 S * 1/1991 Mastromonaco D28/35
D341,906 S * 11/1993 Hall-Bembry D28/35
5,832,939 A * 11/1998 Nathe A45D 1/06
132/229

DESCRIPTION
Figure 1.1 is a front, top, perspective view of a hair curler shown in a closed position;
Figure 1.2 is a front, top, perspective view of a hair curler shown in an open position;
Figure 1.3 is a rear view thereof;
Figure 1.4 is a front view thereof;
Figure 1.5 is a top view thereof;
Figure 1.6 is a bottom side view thereof;
Figure 1.7 is a right side view thereof;
Figure 1.8 is a rear, top, perspective view of a hair curler shown in a dosed position;
Figure 1.9 is a rear, top, perspective view of a hair curler shown in an open position; and
Figure 1.10 is a left side view thereof, shown in a closed position.

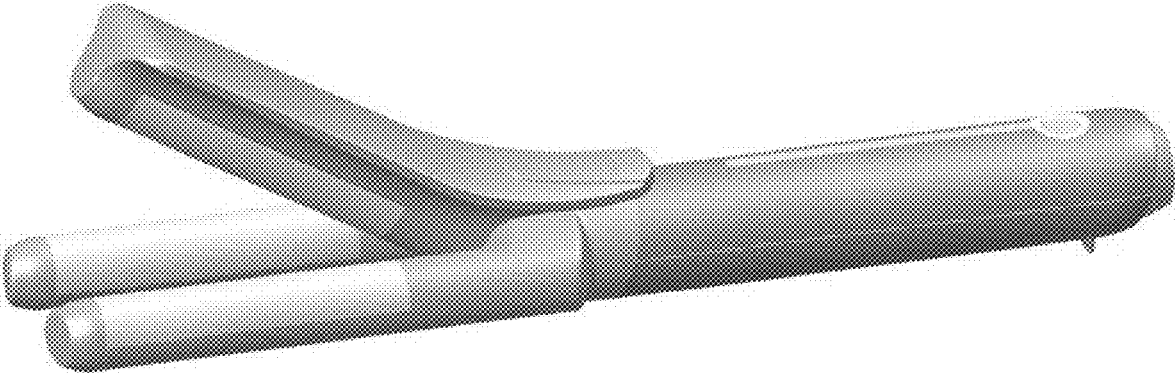
1 Claim, 10 Drawing Sheets



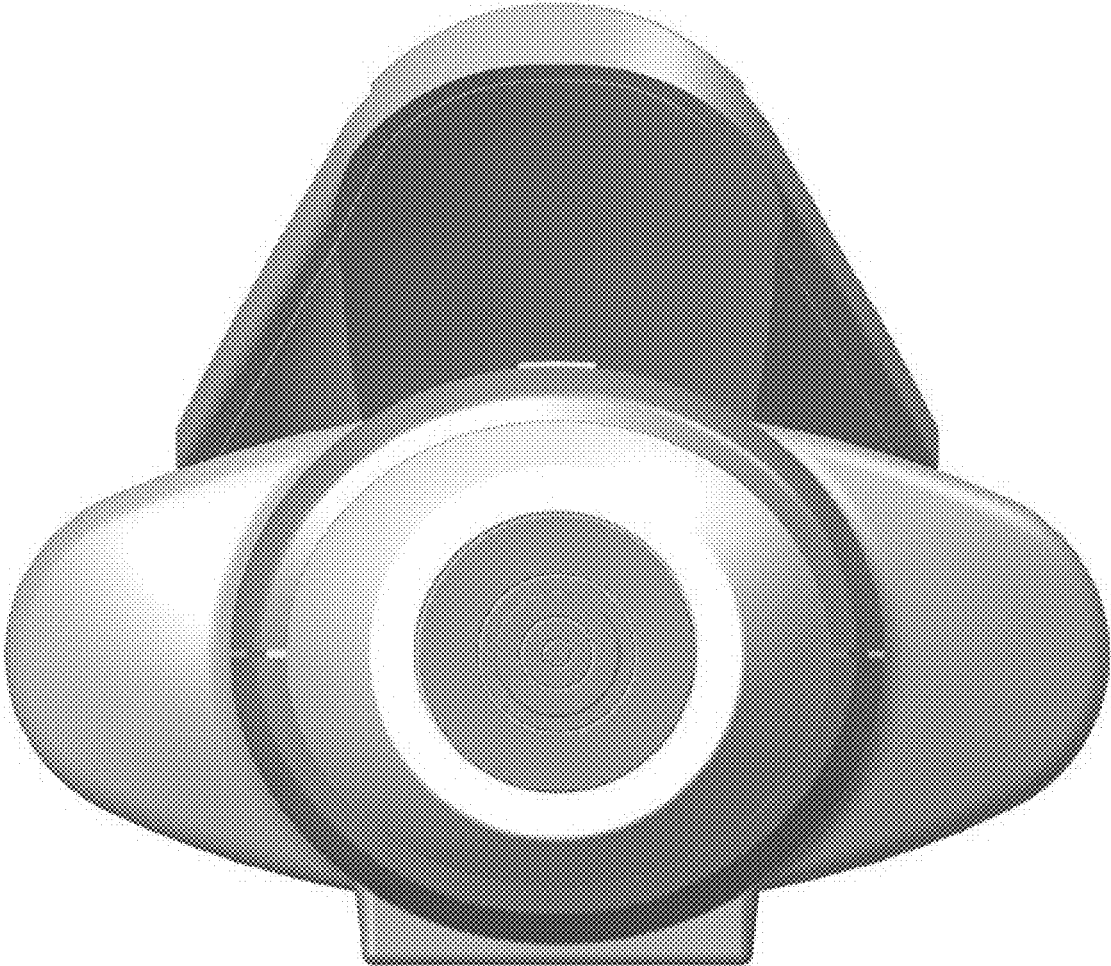
1.1



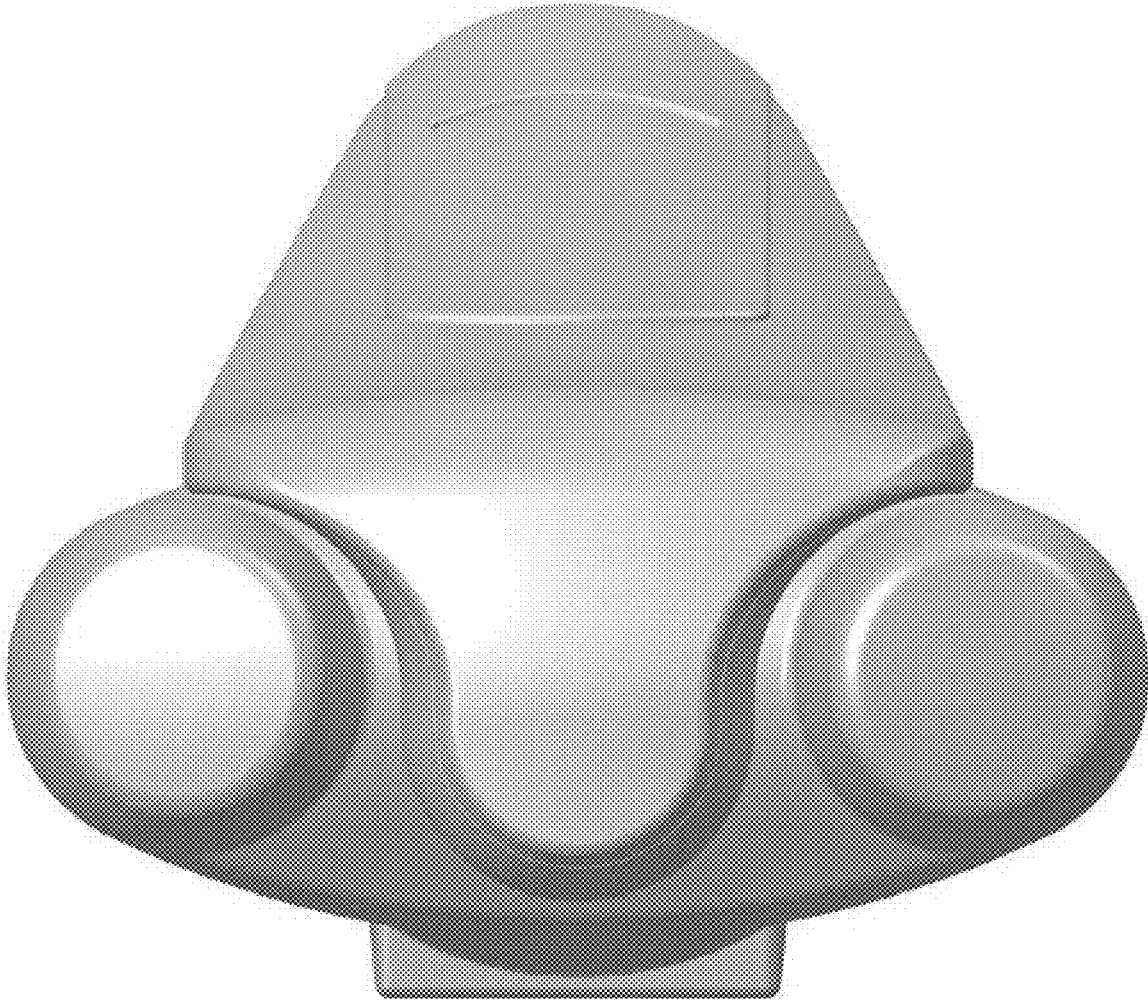
1.2



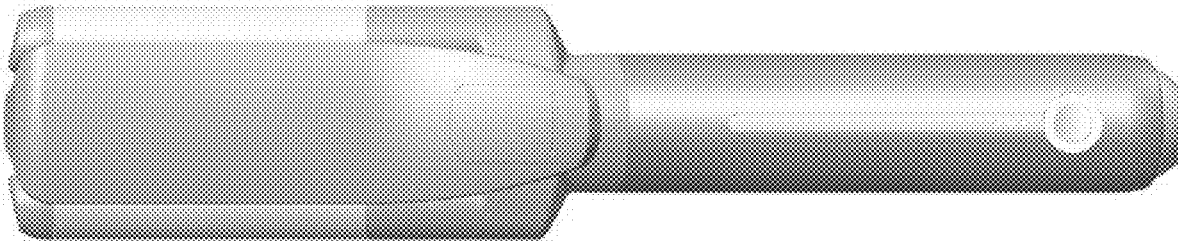
1.3



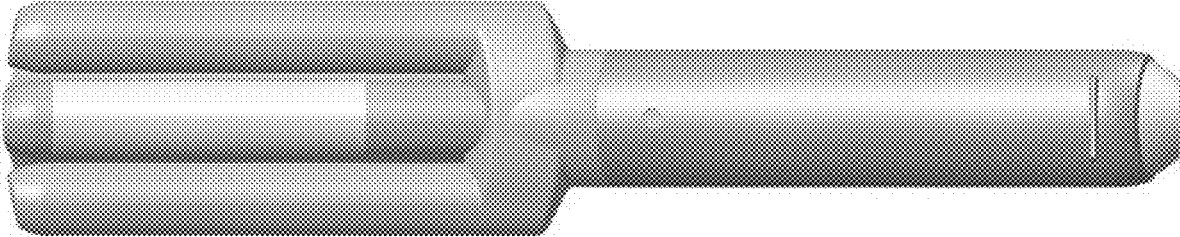
1.4



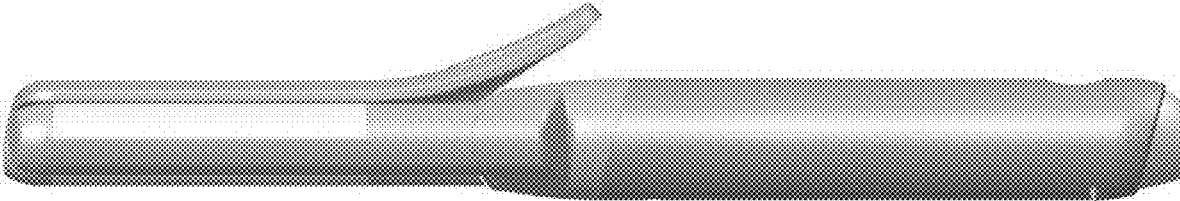
1.5



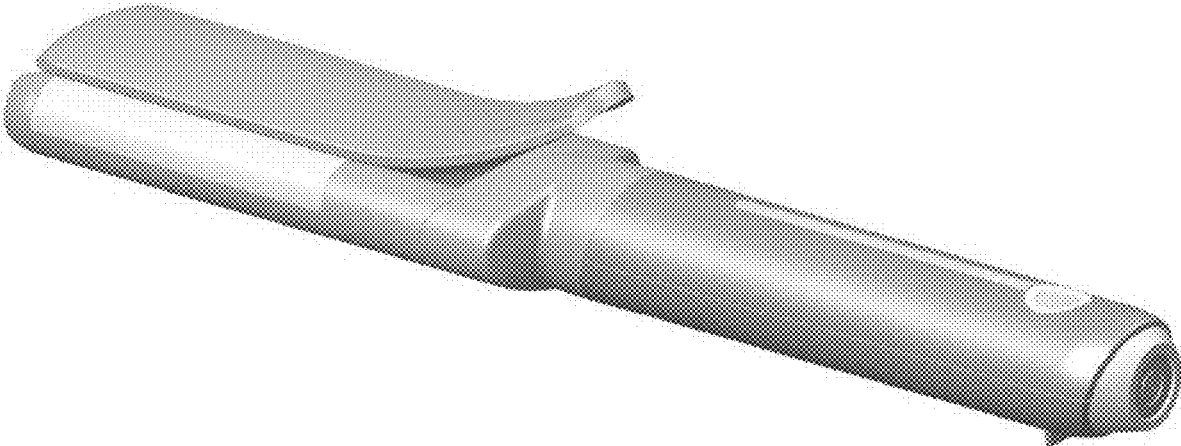
1.6



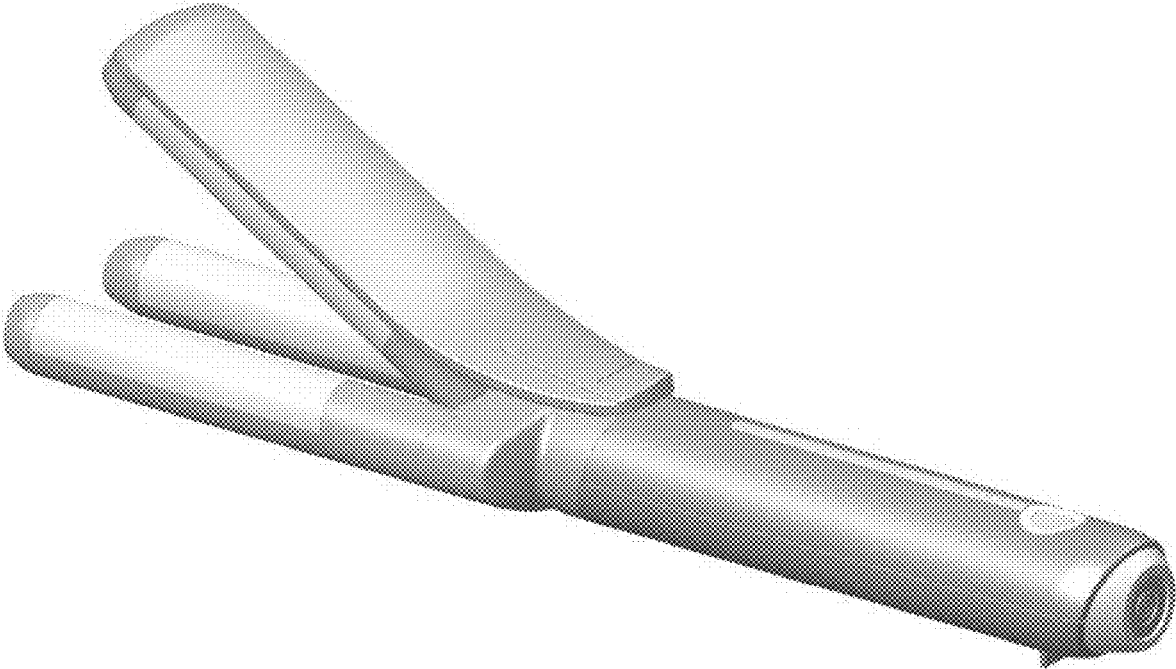
1.7



1.8



1.9



1.10

