

(19) World Intellectual Property Organization  
International Bureau



(43) International Publication Date  
11 August 2005 (11.08.2005)

PCT

(10) International Publication Number  
**WO 2005/072474 A3**

- (51) International Patent Classification:  
F01N 1/02 (2006.01)
- (21) International Application Number:  
PCT/US2005/003559
- (22) International Filing Date: 27 January 2005 (27.01.2005)
- (25) Filing Language: English
- (26) Publication Language: English
- (30) Priority Data:  
60/539,826            27 January 2004 (27.01.2004)    US  
60/607,445           3 September 2004 (03.09.2004)    US  
11/044,680           26 January 2005 (26.01.2005)    US

KG, KP, KR, KZ, LC, LK, LR, LS, LT, LU, LV, MA, MD, MG, MK, MN, MW, MX, MZ, NA, NI, NO, NZ, OM, PG, PH, PL, PT, RO, RU, SC, SD, SE, SG, SK, SL, SM, SY, TJ, TM, TN, TR, TT, TZ, UA, UG, US, UZ, VC, VN, YU, ZA, ZM, ZW.

- (71) Applicant and
- (72) Inventor: EMLER, Don, R. [US/US]; 18033 S. Santa Fe Avenue, Rancho Dominguez, CA 90221 (US).
- (74) Agent: STONEMAN, Martin, L.; Stoneman Law Offices, Ltd., 3113 North 3rd Street, Phoenix, AZ 85012-2601 (US).
- (81) Designated States (unless otherwise indicated, for every kind of national protection available): AE, AG, AL, AM, AT, AU, AZ, BA, BB, BG, BR, BW, BY, BZ, CA, CH, CN, CO, CR, CU, CZ, DE, DK, DM, DZ, EC, EE, EG, ES, FI, GB, GD, GE, GH, GM, HR, HU, ID, IL, IN, IS, JP, KE,

(84) Designated States (unless otherwise indicated, for every kind of regional protection available): ARIPO (BW, GH, GM, KE, LS, MW, MZ, NA, SD, SL, SZ, TZ, UG, ZM, ZW), Eurasian (AM, AZ, BY, KG, KZ, MD, RU, TJ, TM), European (AT, BE, BG, CH, CY, CZ, DE, DK, EE, ES, FI, FR, GB, GR, HU, IE, IS, IT, LT, LU, MC, NL, PL, PT, RO, SE, SI, SK, TR), OAPI (BF, BJ, CF, CG, CI, CM, GA, GN, GQ, GW, ML, MR, NE, SN, TD, TG).

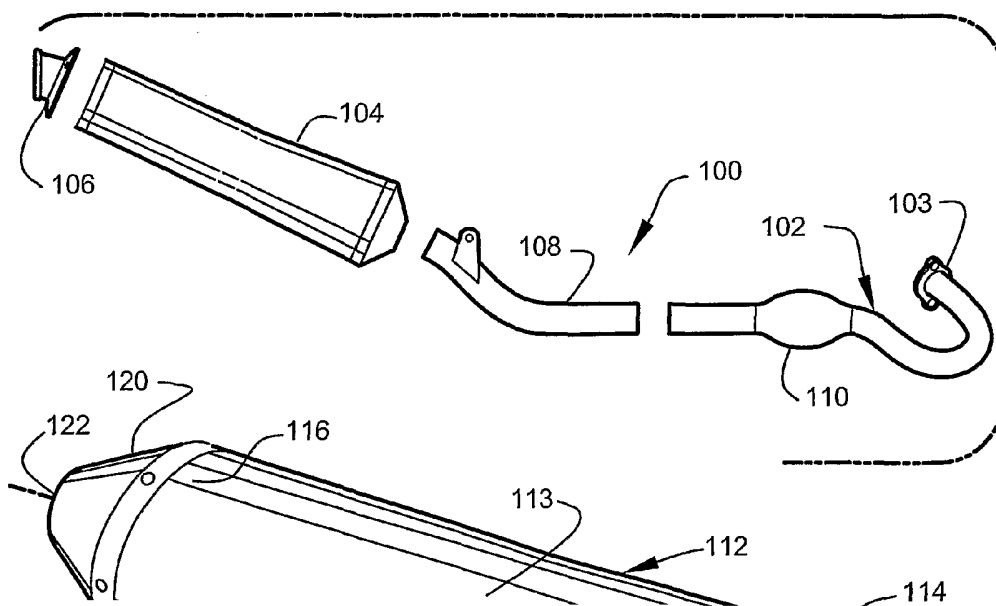
Declaration under Rule 4.17:  
— of inventorship (Rule 4.17(iv))

Published:  
— with international search report  
— before the expiration of the time limit for amending the claims and to be republished in the event of receipt of amendments

(88) Date of publication of the international search report:  
11 May 2006

For two-letter codes and other abbreviations, refer to the "Guidance Notes on Codes and Abbreviations" appearing at the beginning of each regular issue of the PCT Gazette.

(54) Title: VEHICLE EXHAUST SYSTEMS



(57) Abstract: A vehicle exhaust assembly (100) for improved evacuation of exhaust gases from an internal combustion engine. The system comprises a modular replacement exhaust system having a novel header pipe (102) and muffler (104). The present invention readily adapts to a range of vehicle applications including automobiles, motorcycles, and all terrain vehicles.

WO 2005/072474 A3

**INTERNATIONAL SEARCH REPORT**

International application No.  
PCT/US05/03559

**A. CLASSIFICATION OF SUBJECT MATTER**  
 IPC: F01N 1/02( 2006.01)

USPC: 181/249,248,247,255  
 According to International Patent Classification (IPC) or to both national classification and IPC

**B. FIELDS SEARCHED**

Minimum documentation searched (classification system followed by classification symbols)  
 U.S. : 181/249,248,247,255,250,227,228,252,256

Documentation searched other than minimum documentation to the extent that such documents are included in the fields searched

Electronic data base consulted during the international search (name of data base and, where practicable, search terms used)

**C. DOCUMENTS CONSIDERED TO BE RELEVANT**

Category *	Citation of document, with indication, where appropriate, of the relevant passages	Relevant to claim No.
X --- Y	US 3,503,465 A (KOBAYASHI et al.) 31 March 1970 (31.03.1970), figures 1-3 and column 2, line 70 - column 4, line 29.	1-15 ----- 16-68
X --- Y	US 6,550,572 B2 (LIN) 22 April 2003 (22.04.2003), figures 1 and 3 and column 2, lines 23 - 52.	16-25 ----- 1-15 and 26-68
X --- Y	US 4,415,059 A (HAYASHI) 15 November 1983 (15.11.1983), figures 2-4 and column 2, line 49 - column 4, line 46.	26-39 and 56-68 ----- 1-25 and 40-55

Further documents are listed in the continuation of Box C.  See patent family annex.

* Special categories of cited documents:	"T" later document published after the international filing date or priority date and not in conflict with the application but cited to understand the principle or theory underlying the invention
"A" document defining the general state of the art which is not considered to be of particular relevance	"X" document of particular relevance; the claimed invention cannot be considered novel or cannot be considered to involve an inventive step when the document is taken alone
"E" earlier application or patent published on or after the international filing date	"Y" document of particular relevance; the claimed invention cannot be considered to involve an inventive step when the document is combined with one or more other such documents, such combination being obvious to a person skilled in the art
"L" document which may throw doubts on priority claim(s) or which is cited to establish the publication date of another citation or other special reason (as specified)	"&" document member of the same patent family
"O" document referring to an oral disclosure, use, exhibition or other means	
"P" document published prior to the international filing date but later than the priority date claimed	

Date of the actual completion of the international search 20 February 2006 (20.02.2006)	Date of mailing of the international search report <b>24 MAR 2006</b>
--	--

Name and mailing address of the ISA/US Mail Stop PCT, Attn: ISA/US Commissioner for Patents P.O. Box 1450 Alexandria, Virginia 22313-1450 Facsimile No. (571) 273-3201	Authorized officer <i>Lydia Seel For</i> Paula Bradley Telephone No. (703)308-0956
---	---

INTERNATIONAL SEARCH REPORT

International application No.  
PCT/US05/03559

C. (Continuation) DOCUMENTS CONSIDERED TO BE RELEVANT

Category *	Citation of document, with indication, where appropriate, of the relevant passages	Relevant to claim No.
X --- Y	US 6,558,137 B2 (TOMELL et al.) 06 May 2003 (06.05.2003), figures 19B-23A and column 17, line 53 - column 21, line 21.	40-55 ----- 1-39 and 56-68