



US00D488472S

(12) **United States Design Patent**  
**Haase et al.**

(10) **Patent No.:** **US D488,472 S**

(45) **Date of Patent:** **\*\* Apr. 13, 2004**

(54) **DISPLAY HOUSING**

(75) Inventors: **Andreas R. Haase**, Plantation, FL  
(US); **Yosef Ben Yosef**, Pardes-Hana  
(IL); **Ami Isakov**, Kfar Saba (IL); **Avi Zelig**, Rosh-Ha'ayin (IL)

(73) Assignee: **Motorola, Inc.**, Schaumburg, IL (US)

(\*\*) Term: **14 Years**

(21) Appl. No.: **29/181,945**

(22) Filed: **May 15, 2003**

(51) **LOC (7) Cl.** ..... **14-02**

(52) **U.S. Cl.** ..... **D14/374**

(58) **Field of Search** ..... D14/125-129,  
D14/336, 371-382; 345/102, 104, 156,  
168, 173; 248/917-924; 341/12; 348/180,  
184, 325, 739; 349/1, 2, 11

(56) **References Cited**

**U.S. PATENT DOCUMENTS**

D416,549 S \* 11/1999 Coster et al. .... D14/375

D429,227 S \* 8/2000 Shimizu ..... D14/126  
D436,951 S \* 1/2001 Andresen ..... D14/336  
D460,759 S \* 7/2002 West et al. .... D14/374  
D473,558 S \* 4/2003 Chen et al. .... D14/375  
2002/0180694 A1 \* 12/2002 Isaacson ..... 345/156

\* cited by examiner

*Primary Examiner*—Clare E. Heflin

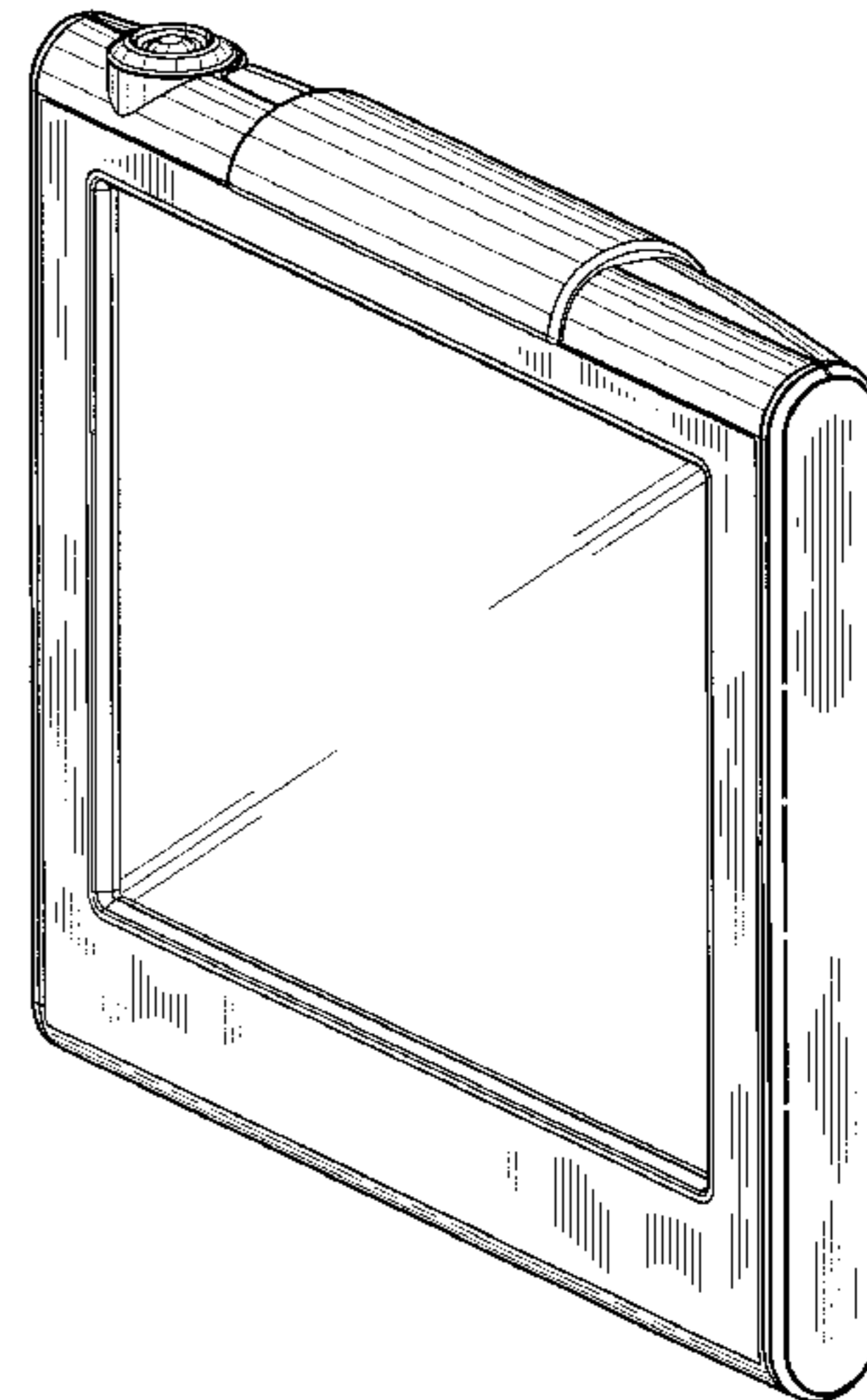
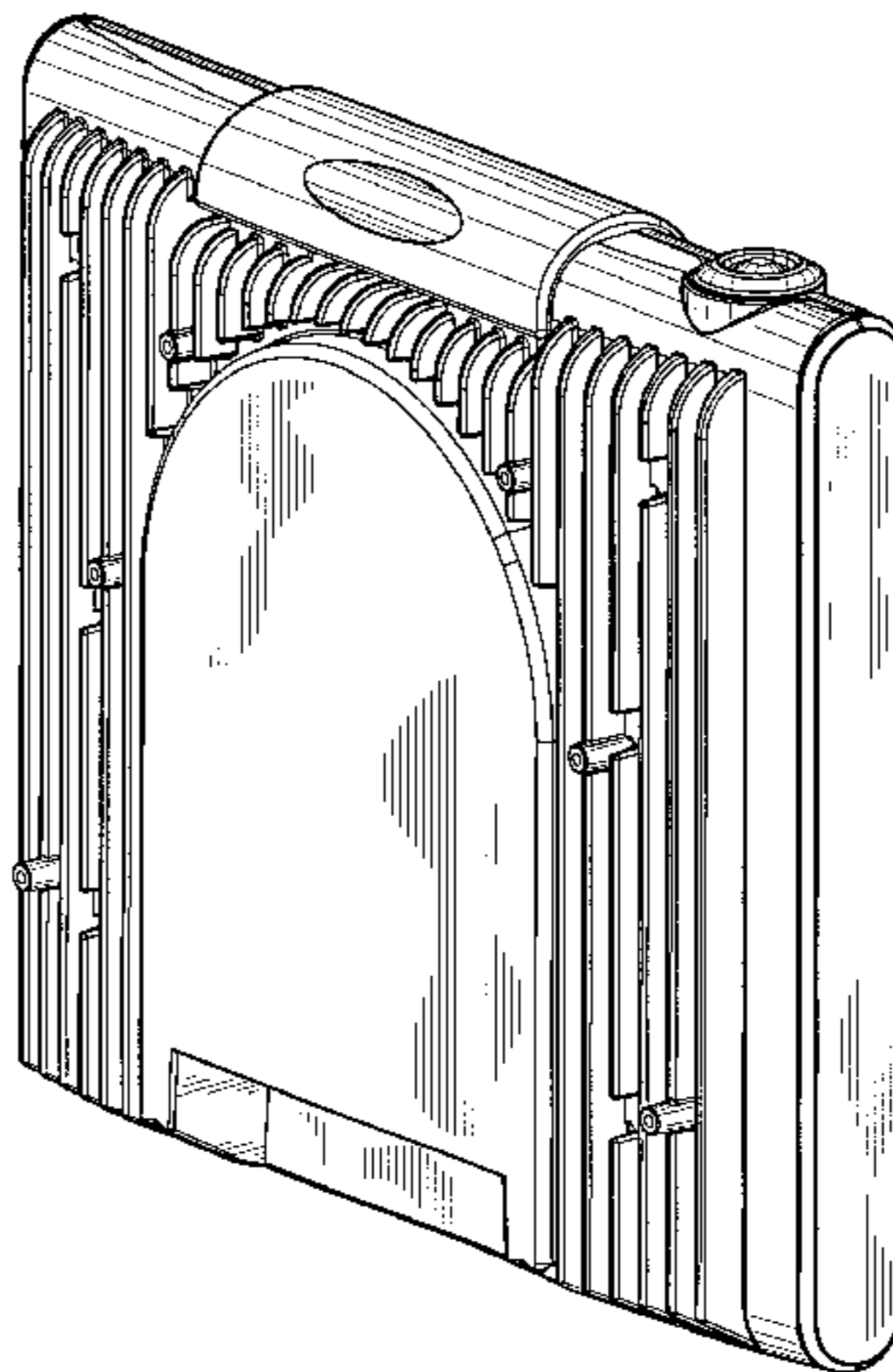
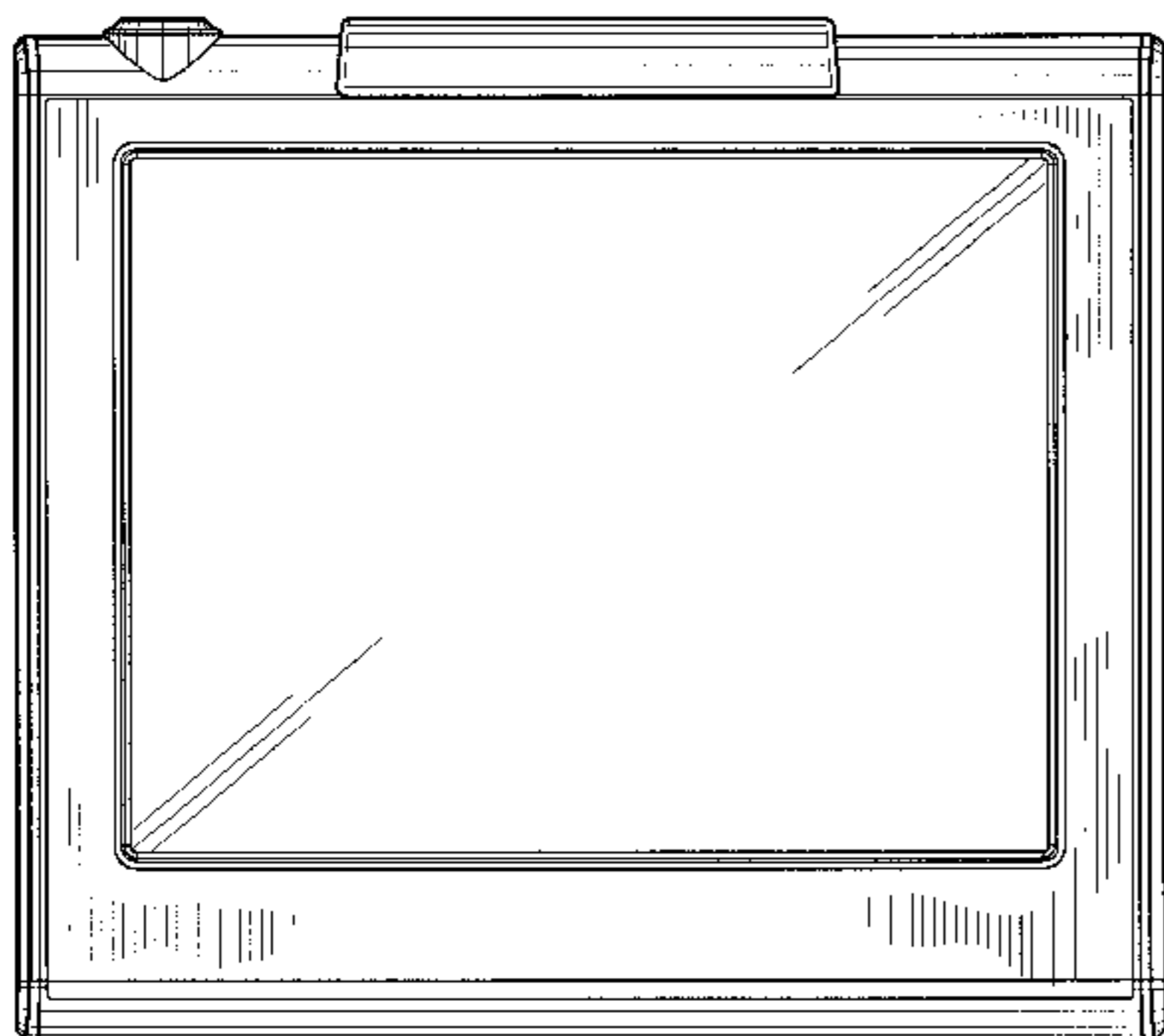
(57) **CLAIM**

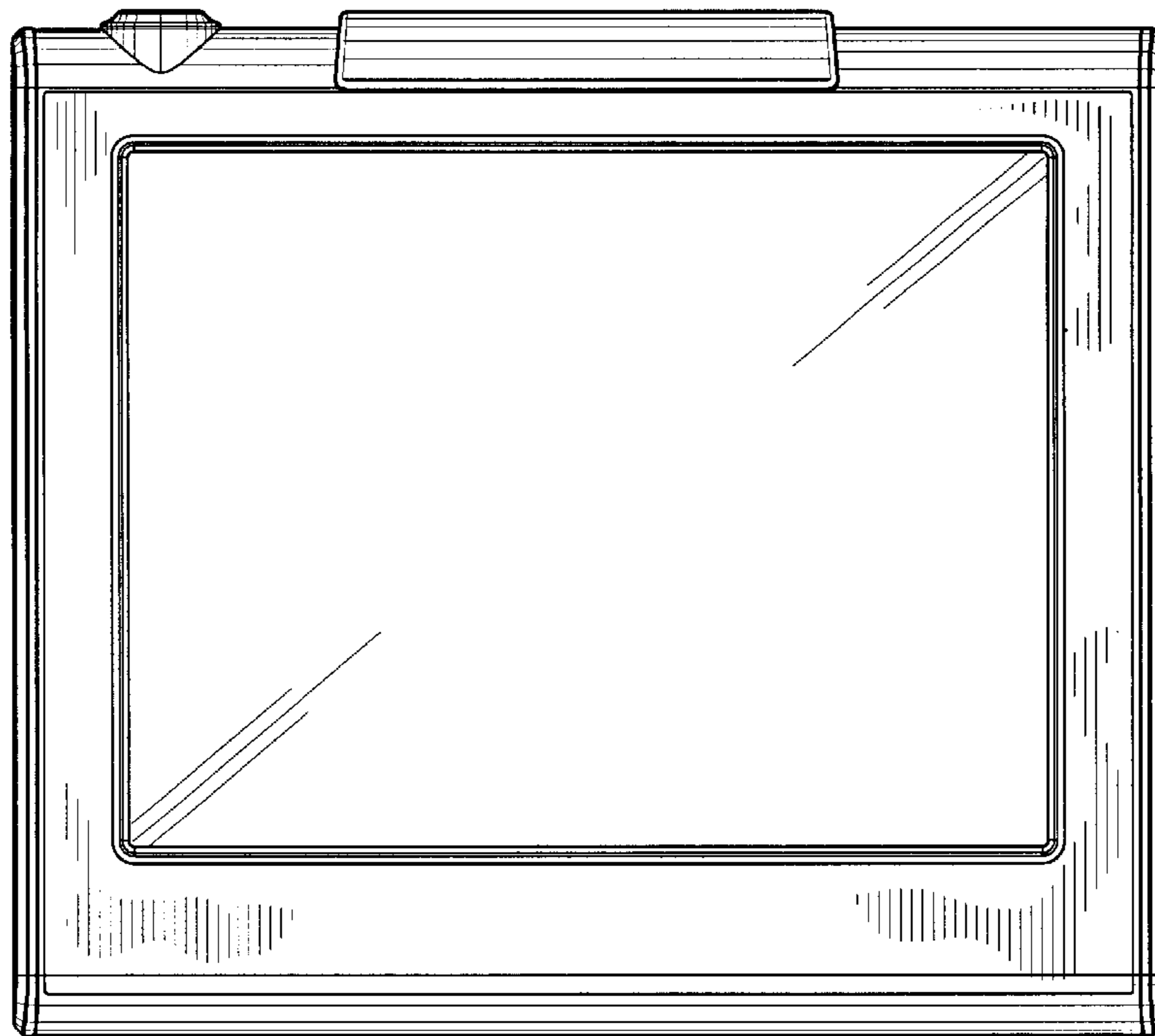
The ornamental design for a display housing, as shown and described.

**DESCRIPTION**

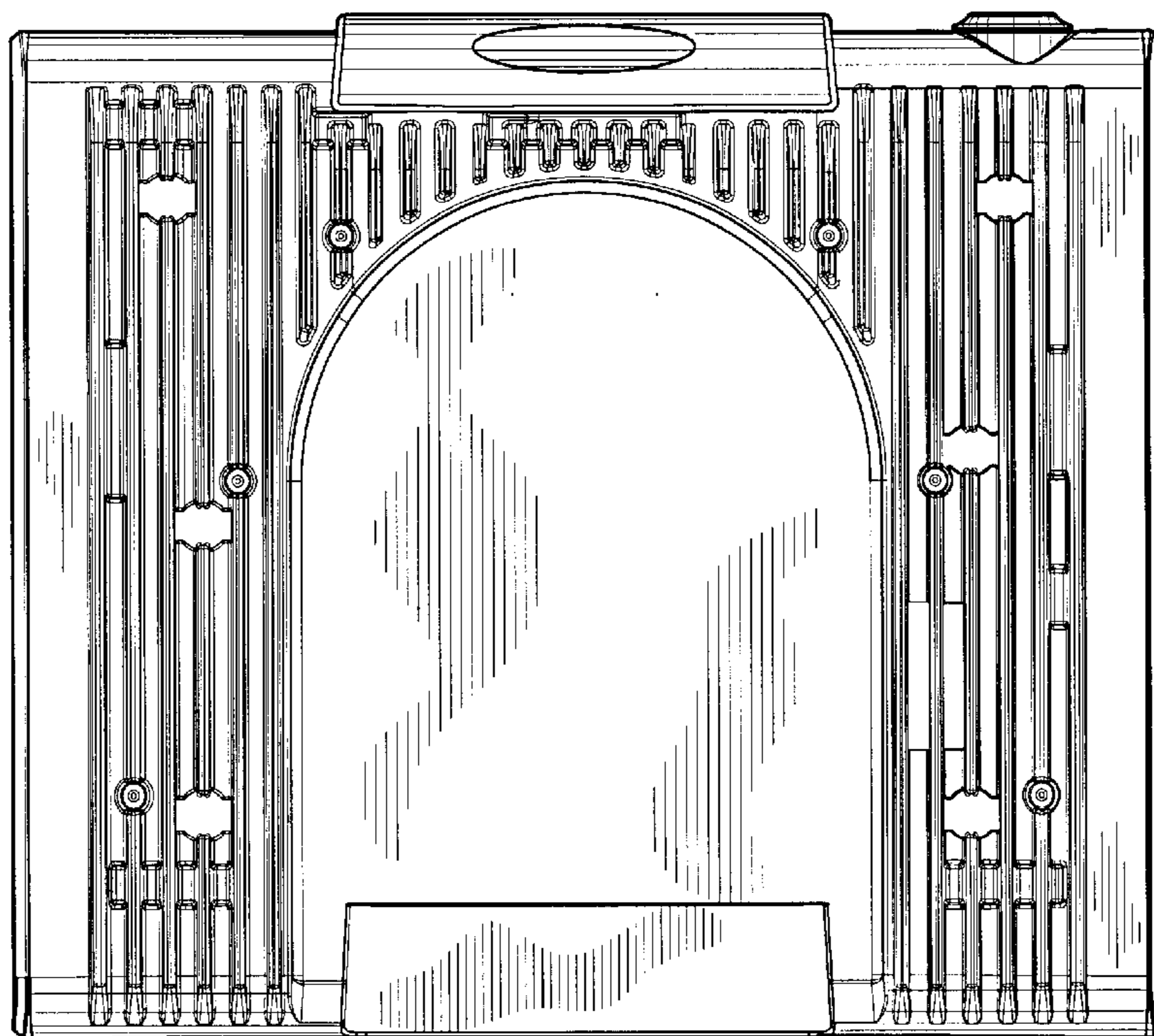
FIG. 1 is a front view of a display housing in accordance with the present invention;  
FIG. 2 is a back view thereof;  
FIG. 3 right side elevational view thereof;  
FIG. 4 is a left side elevational view thereof;  
FIG. 5 is a top view thereof;  
FIG. 6 is a bottom view thereof;  
FIG. 7 is a perspective back view thereof; and,  
FIG. 8 is a perspective front view thereof.

**1 Claim, 5 Drawing Sheets**

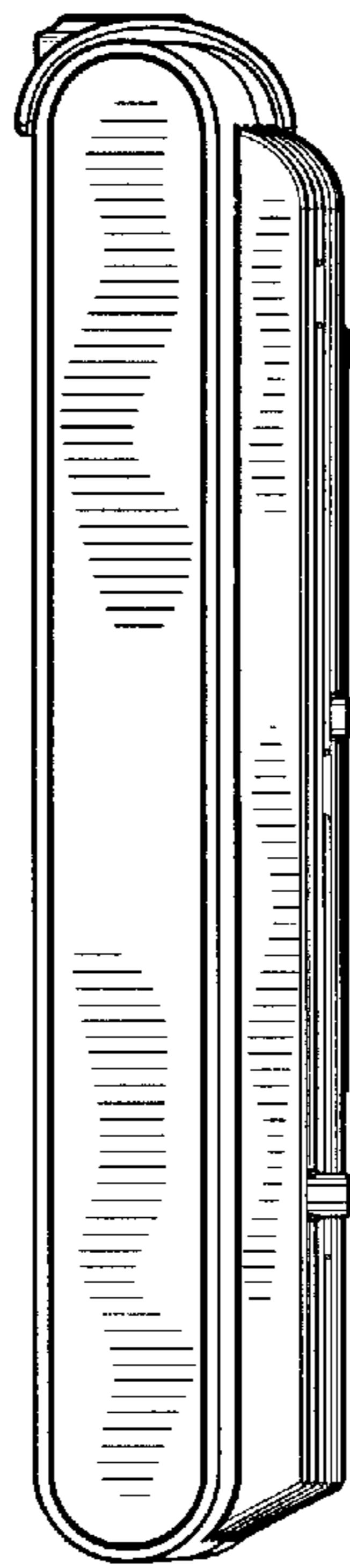




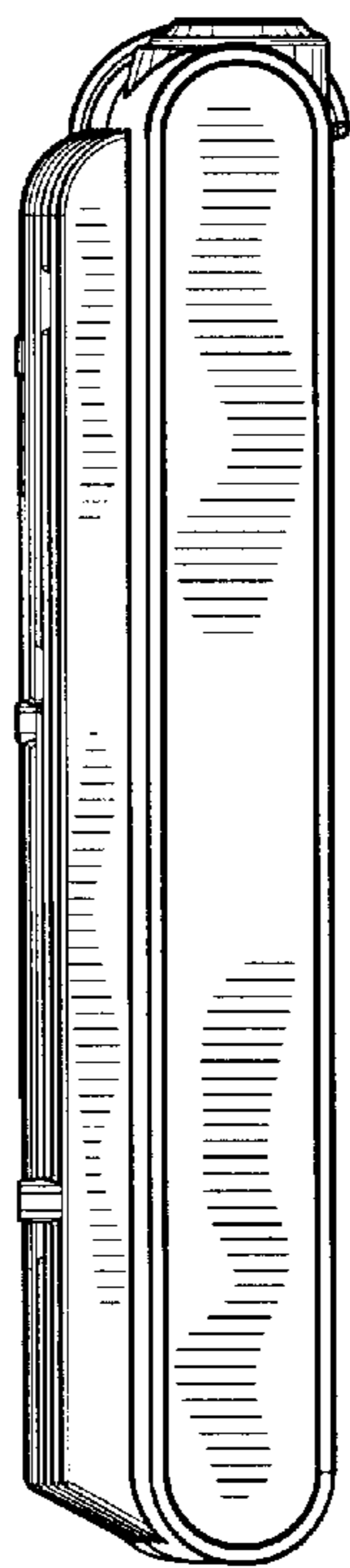
*FIG. 1*



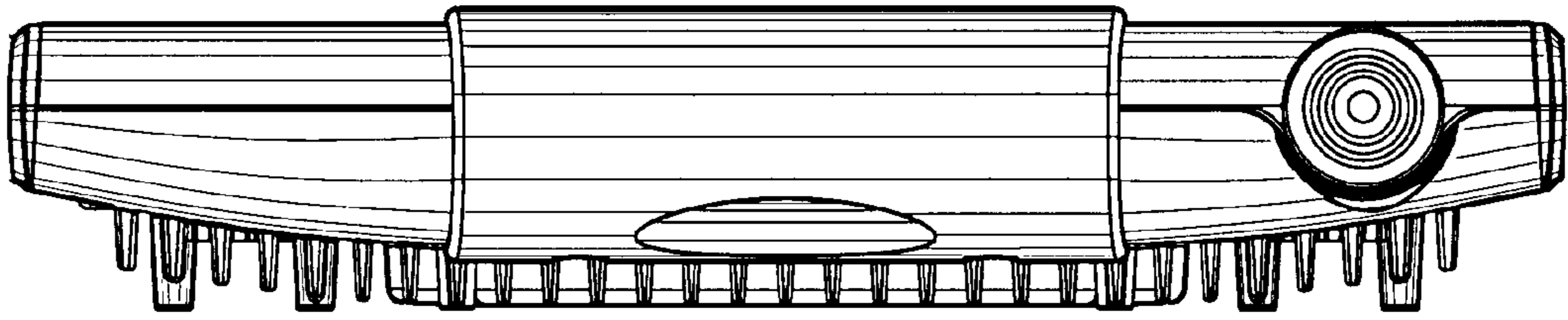
*FIG. 2*



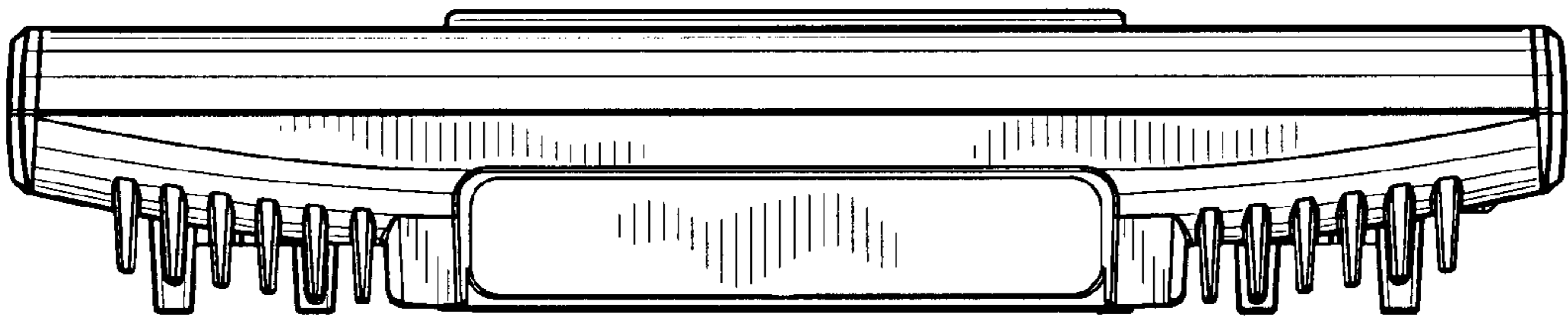
*FIG. 3*



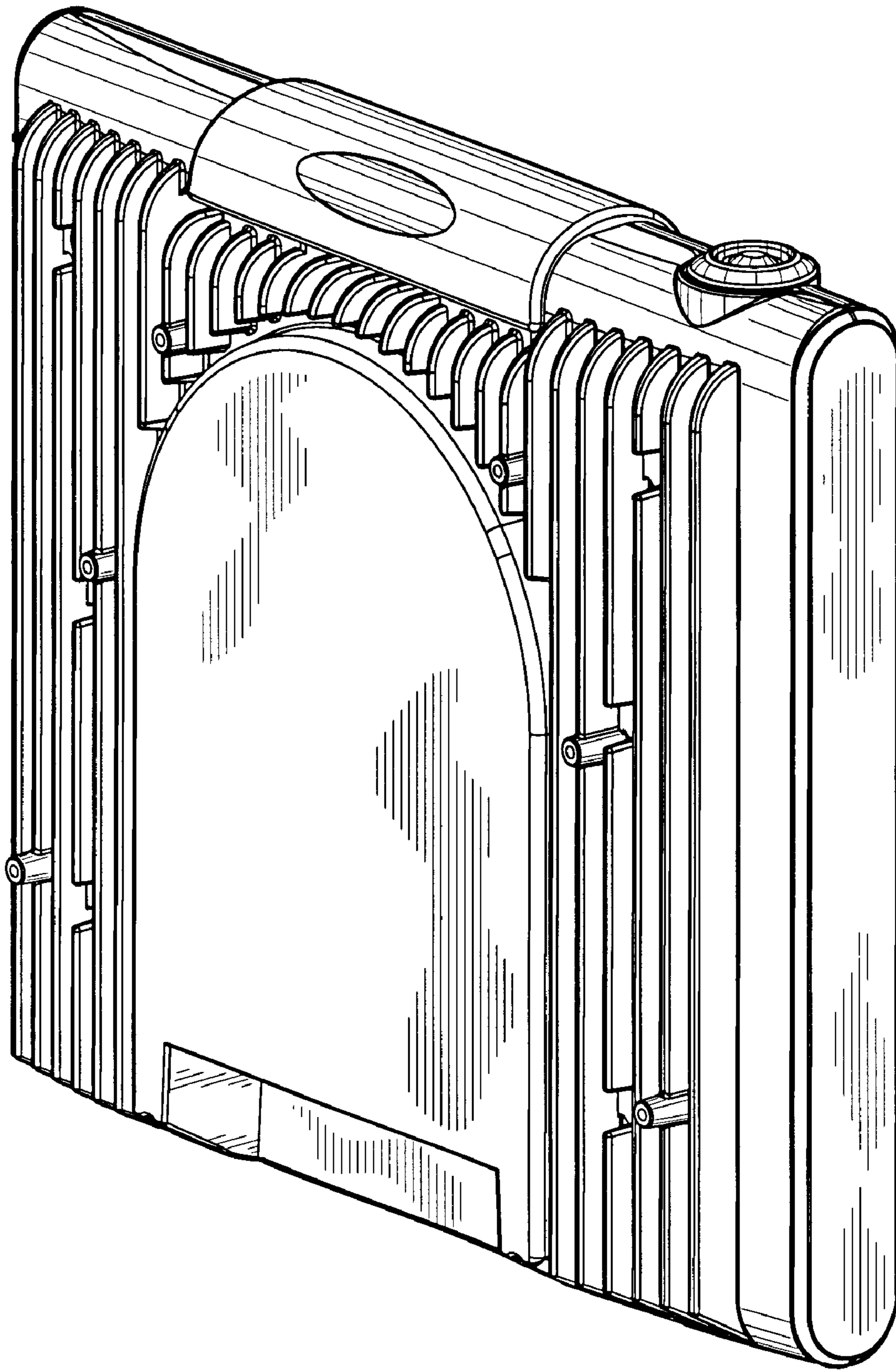
*FIG. 4*



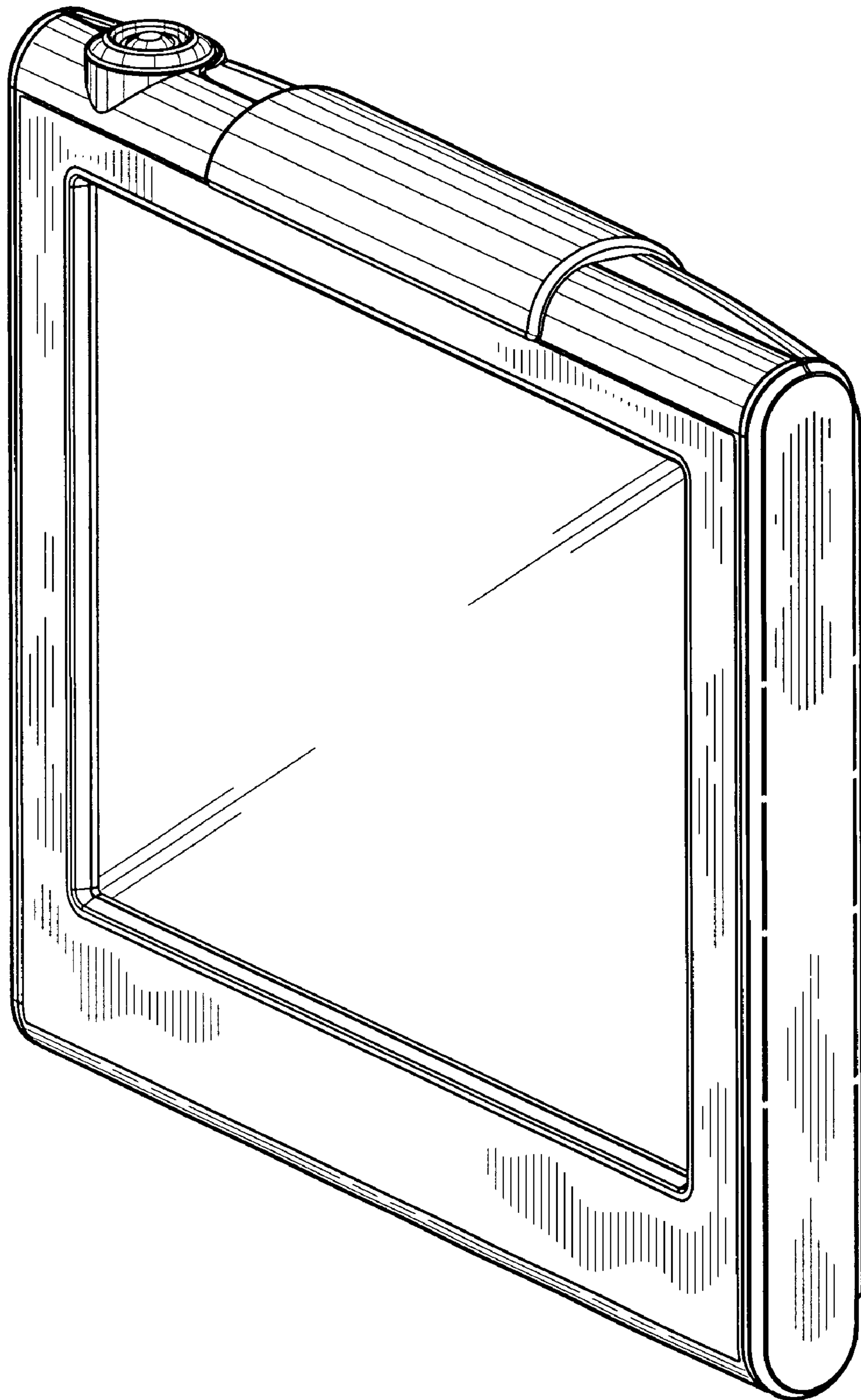
*FIG. 5*



*FIG. 6*



*FIG. 7*



*FIG. 8*