

(19) World Intellectual Property Organization  
International Bureau



(43) International Publication Date  
6 March 2008 (06.03.2008)

PCT

(10) International Publication Number  
WO 2008/027234 A3

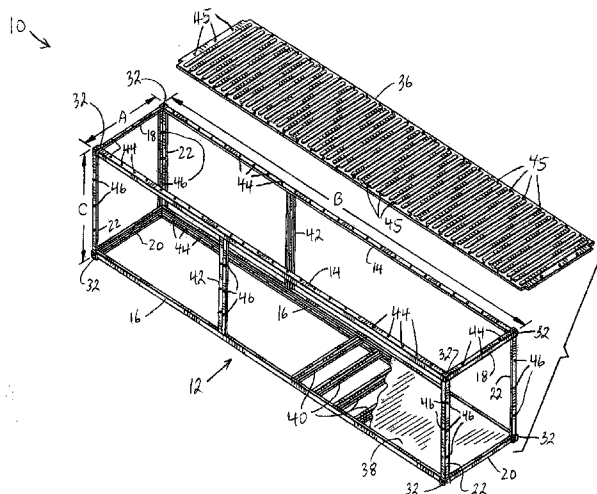
- (51) **International Patent Classification:**  
*E04H 1/00* (2006.01)
- (21) **International Application Number:**  
PCT/US2007/018379
- (22) **International Filing Date:** 20 August 2007 (20.08.2007)
- (25) **Filing Language:** English
- (26) **Publication Language:** English
- (30) **Priority Data:**

60/840,419	26 August 2006 (26.08.2006)	US
60/843,247	8 September 2006 (08.09.2006)	US
60/861,407	28 November 2006 (28.11.2006)	US
60/900,311	8 February 2007 (08.02.2007)	US
60/902,081	15 February 2007 (15.02.2007)	US
11/893,639	17 August 2007 (17.08.2007)	US
- (71) **Applicant: GLOBAL BUILDING MODULES, INC.**  
[US/US]; 99 University Place, 7th Floor, New York, NY 10003 (US).
- (72) **Inventors; and**
- (75) **Inventors/Applicants (for US only): ABRAMS, Alexander** [US/US]; 189 West 89 Street, Apt 16-k, New York, NY 10024 (US). **BUCHHEIT, Jason** [US/US]; 99 Butler Street, Apt 1, Brooklyn, NY 11231 (US). **SCOTT, Eldon** [US/US]; 131 Greene Street, 4th Floor, New York, NY 10012 (US). **SESIL, Daniel, A** [US/US]; 10 Croydon Rd, Yonkers, NY 10710 (US). **WALLANCE, David** [US/US];
- 147 Colabaugh Pond Road, Croton-on-Hudson, New York 10520 (US).
- (74) **Agents: KASHMAN, David, S.** et al.; Gottlieb, Rackman & Reisman, P.C., 270 Madison Avenue, New York, NY 10016-0601 (US).
- (81) **Designated States (unless otherwise indicated, for every kind of national protection available):** AE, AG, AL, AM, AT, AU, AZ, BA, BB, BG, BH, BR, BW, BY, BZ, CA, CH, CN, CO, CR, CU, CZ, DE, DK, DM, DO, DZ, EC, EE, EG, ES, FI, GB, GD, GE, GH, GM, GT, HN, HR, HU, ID, IL, IN, IS, JP, KE, KG, KM, KN, KP, KR, KZ, LA, LC, LK, LR, LS, LT, LU, LY, MA, MD, ME, MG, MK, MN, MW, MX, MY, MZ, NA, NG, NI, NO, NZ, OM, PG, PH, PL, PT, RO, RS, RU, SC, SD, SE, SG, SK, SL, SM, SV, SY, TJ, TM, TN, TR, TT, TZ, UA, UG, US, UZ, VC, VN, ZA, ZM, ZW.
- (84) **Designated States (unless otherwise indicated, for every kind of regional protection available):** ARIPO (BW, GH, GM, KE, LS, MW, MZ, NA, SD, SL, SZ, TZ, UG, ZM, ZW), Eurasian (AM, AZ, BY, KG, KZ, MD, RU, TJ, TM), European (AT, BE, BG, CH, CY, CZ, DE, DK, EE, ES, FI, FR, GB, GR, HU, IE, IS, IT, LT, LU, LV, MC, MT, NL, PL, PT, RO, SE, SI, SK, TR), OAPI (BF, BJ, CF, CG, CI, CM, GA, GN, GQ, GW, ML, MR, NE, SN, TD, TG).

**Published:**  
— with international search report

[Continued on next page]

(54) **Title:** SYSTEM FOR MODULAR BUILDING CONSTRUCTION



(57) **Abstract:** Construction systems for erecting building structures comprise a plurality of prefabricated interconnectable modular building units, each unit comprising a frame shaped as a rectangular parallelepiped and comprised of framing members and a plurality of nodes, each node situated at a corner of said frame for selective interconnection with other units, the nodes and the exterior dimensions of the frame conforming to ISO shipping standards such that each unit is transportable using the ISO intermodal transportation system, and such that when the units are aggregated horizontally and vertically and adjacent units are interconnected, a building structure comprising at least one habitable space is formed. The modular units are assembled in a factory remote from the job site, and are there constructed to a semi-finished state, including installation of one or more of interior fit-out systems and finishes, exterior envelope systems, plumbing systems, electrical systems, environmental systems, and fire protection systems.

WO 2008/027234 A3




— *before the expiration of the time limit for amending the claims and to be republished in the event of receipt of amendments*

**(88) Date of publication of the international search report:**  
24 April 2008

## INTERNATIONAL SEARCH REPORT

International application No.

PCT/US07/18379

<b>A. CLASSIFICATION OF SUBJECT MATTER</b> IPC(8) - 52/79.12 (2008.01) USPC - E04H 1/00 According to International Patent Classification (IPC) or to both national classification and IPC		
<b>B. FIELDS SEARCHED</b> Minimum documentation searched (classification system followed by classification symbols) IPC(8) - E04H 1/00 (2008.01) USPC - 52/79.5, 79.12, 143; 220/1.5; 296/181, 187; 405/52-55, 128, 129 Documentation searched other than minimum documentation to the extent that such documents are included in the fields searched Electronic data base consulted during the international search (name of data base and, where practicable, search terms used) PATBASE		
<b>C. DOCUMENTS CONSIDERED TO BE RELEVANT</b>		
Category*	Citation of document, with indication, where appropriate, of the relevant passages	Relevant to claim No.
X -- Y	US 5,735,639 A (PAYNE et al) 07 April 1998 (07.04.1998) see entire document	16, 17, 21-26, 42, 43, 47-52, 68, 69, 73-80 ----- 1-10, 18-20, 27-36, 44-46, 53-62, 70-72, 81-93
X -- Y	US 6,463,705 B1 (DAVIS et al) 15 October 2002 (15.10.2002) see entire document	11-13, 37-39, 63-65 ----- 14, 15, 40, 41, 66, 67
Y	US 5,193,325 A (ALLISON) 16 March 1993 (16.03.1993) see entire document	1-10, 14, 15, 18-20, 27-36 40, 41, 44-46, 53-62, 66, 67, 70-72, 81-93
<input type="checkbox"/> Further documents are listed in the continuation of Box C. <input type="checkbox"/>		
* Special categories of cited documents: "A" document defining the general state of the art which is not considered to be of particular relevance "E" earlier application or patent but published on or after the international filing date "L" document which may throw doubts on priority claim(s) or which is cited to establish the publication date of another citation or other special reason (as specified) "O" document referring to an oral disclosure, use, exhibition or other means "P" document published prior to the international filing date but later than the priority date claimed "T" later document published after the international filing date or priority date and not in conflict with the application but cited to understand the principle or theory underlying the invention "X" document of particular relevance; the claimed invention cannot be considered novel or cannot be considered to involve an inventive step when the document is taken alone "Y" document of particular relevance; the claimed invention cannot be considered to involve an inventive step when the document is combined with one or more other such documents, such combination being obvious to a person skilled in the art "&" document member of the same patent family		
Date of the actual completion of the international search 04 January 2008		Date of mailing of the international search report <b>22 FEB 2008</b>
Name and mailing address of the ISA/US Mail Stop PCT, Attn: ISA/US, Commissioner for Patents P.O. Box 1450, Alexandria, Virginia 22313-1450 Facsimile No. 571-273-3201		Authorized officer: Blaine R. Gopenheaver  PCT Helpdesk: 571-272-4300 PCT OSP: 571-272-7774