



(51) International Patent Classification:

*B65H 85/00* (2006.01)    *B65H 1/26* (2006.01)  
*B65H 31/22* (2006.01)    *B41J 13/10* (2006.01)  
*B41J 3/60* (2006.01)    *G03G 15/00* (2006.01)

(21) International Application Number:

PCT/US2013/055937

(22) International Filing Date:

13 September 2013 (13.09.2013)

(25) Filing Language:

English

(26) Publication Language:

English

(30) Priority Data:

13/598,100    29 August 2012 (29.08.2012)    US

(71) Applicant: **KODAK ALARIS INC.**; 2400 Mount Read Boulevard, Rochester, New York 14650-0218 (US).

(72) Inventors: **MAHONEY, Kevin T.**; 343 State Street, Rochester, NY 14650-2201 (US). **MINDLER, Robert Fredric**; 343 State Street, Rochester, NY 14650-2201 (US).

(74) Agent: **LAVENUE, Teresa**; Hogan Lovells US LLP, 555 13th Street, N.W., Washington, DC 20004 (US).

(81) Designated States (unless otherwise indicated, for every kind of national protection available): AE, AG, AL, AM, AO, AT, AU, AZ, BA, BB, BG, BH, BN, BR, BW, BY, BZ, CA, CH, CL, CN, CO, CR, CU, CZ, DE, DK, DM, DO, DZ, EC, EE, EG, ES, FI, GB, GD, GE, GH, GM, GT,

HN, HR, HU, ID, IL, IN, IS, JP, KE, KG, KN, KP, KR, KZ, LA, LC, LK, LR, LS, LT, LU, LY, MA, MD, ME, MG, MK, MN, MW, MX, MY, MZ, NA, NG, NI, NO, NZ, OM, PA, PE, PG, PH, PL, PT, QA, RO, RS, RU, RW, SA, SC, SD, SE, SG, SK, SL, SM, ST, SV, SY, TH, TJ, TM, TN, TR, TT, TZ, UA, UG, US, UZ, VC, VN, ZA, ZM, ZW.

(84) Designated States (unless otherwise indicated, for every kind of regional protection available):

ARIPO (BW, GH, GM, KE, LR, LS, MW, MZ, NA, RW, SD, SL, SZ, TZ, UG, ZM, ZW), Eurasian (AM, AZ, BY, KG, KZ, RU, TJ, TM), European (AL, AT, BE, BG, CH, CY, CZ, DE, DK, EE, ES, FI, FR, GB, GR, HR, HU, IE, IS, IT, LT, LU, LV, MC, MK, MT, NL, NO, PL, PT, RO, RS, SE, SI, SK, SM, TR), OAPI (BF, BJ, CF, CG, CI, CM, GA, GN, GQ, GW, KM, ML, MR, NE, SN, TD, TG).

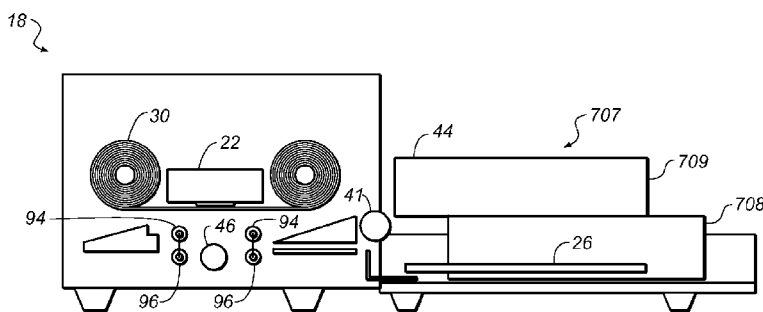
Published:

- with international search report (Art. 21(3))
- before the expiration of the time limit for amending the claims and to be republished in the event of receipt of amendments (Rule 48.2(h))
- with information concerning request for restoration of the right of priority in respect of one or more priority claims (Rules 26bis.3 and 48.2(b)(vii))

(88) Date of publication of the international search report:

16 July 2015

(54) Title: A METHOD FOR HANDLING CUT SHEET MEDIA



**FIG. 8**

(57) Abstract: A method for handling cut sheet media (26) in a receiver supply media cassette comprising providing a media tray with a removable media receptacle in the receiver supply media cassette. The media tray is attached to the imaging apparatus (18) to feed the cut sheet media from a first compartment (708) of the removable media receptacle (707) to the imaging apparatus to print a first image on a first side of the fed cut sheet media and receive the printed cut sheet media from the imaging apparatus into a second compartment (709) of the removable media receptacle. The removable media receptacle is flipped and the cut sheet media is fed to the imaging apparatus to print a second image on a second side of the fed cut sheet media. The method further includes receiving the printed cut sheet media from the imaging apparatus into the first compartment of the removable media receptacle.



**INTERNATIONAL SEARCH REPORT**

International application No  
PCT/US2013/055937

**A. CLASSIFICATION OF SUBJECT MATTER**  
 INV. B65H85/00 B65H31/22 B41J3/60 B65H1/26 B41J13/10  
 G03G15/00  
 ADD.  
 According to International Patent Classification (IPC) or to both national classification and IPC

**B. FIELDS SEARCHED**  
 Minimum documentation searched (classification system followed by classification symbols)  
 B65H G03G B41J

Documentation searched other than minimum documentation to the extent that such documents are included in the fields searched

Electronic data base consulted during the international search (name of data base and, where practicable, search terms used)  
 EPO-Internal, WPI Data

**C. DOCUMENTS CONSIDERED TO BE RELEVANT**

Category*	Citation of document, with indication, where appropriate, of the relevant passages	Relevant to claim No.
A	US 4 721 382 A (ITO MASAZUMI [JP] ET AL) 26 January 1988 (1988-01-26) the whole document -----	1-5

Further documents are listed in the continuation of Box C.

See patent family annex.

- \* Special categories of cited documents :
- "A" document defining the general state of the art which is not considered to be of particular relevance
  - "E" earlier application or patent but published on or after the international filing date
  - "L" document which may throw doubts on priority claim(s) or which is cited to establish the publication date of another citation or other special reason (as specified)
  - "O" document referring to an oral disclosure, use, exhibition or other means
  - "P" document published prior to the international filing date but later than the priority date claimed
  - "T" later document published after the international filing date or priority date and not in conflict with the application but cited to understand the principle or theory underlying the invention
  - "X" document of particular relevance; the claimed invention cannot be considered novel or cannot be considered to involve an inventive step when the document is taken alone
  - "Y" document of particular relevance; the claimed invention cannot be considered to involve an inventive step when the document is combined with one or more other such documents, such combination being obvious to a person skilled in the art
  - "&" document member of the same patent family

Date of the actual completion of the international search <b>21 May 2015</b>	Date of mailing of the international search report <b>01/06/2015</b>
---	---

Name and mailing address of the ISA/ European Patent Office, P.B. 5818 Patentlaan 2 NL - 2280 HV Rijswijk Tel. (+31-70) 340-2040, Fax: (+31-70) 340-3016	Authorized officer <b>Ureta, Rolando</b>
--	---

# INTERNATIONAL SEARCH REPORT

Information on patent family members

International application No

PCT/US2013/055937

Patent document cited in search report	Publication date	Patent family member(s)	Publication date
US 4721382	A	NONE	